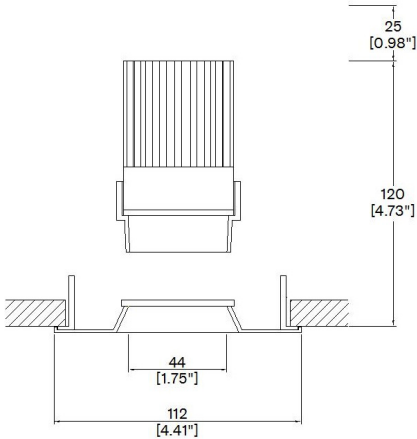


ProSpex Plus Bevel Fixed Flange Triple



112mm (4.41") overall trim diameter. Supplied with standard trim kit. Family of matching products also available. Required depth height + 25mm^



A090+13-LED-TR
Cut-out 4" (102mm) Ø

Fixture Output Data

LED51/2

| LED Source | LED51/2 | LED51/2 | LED51/2 | LED51/2 |
|-------------------------|---------|---------|---------|---------|
| CCT | 3000K | 3000K | 3000K | 3000K |
| Drive Current | 350mA | 350mA | 350mA | 350mA |
| Power inc Driver | 13.6W | 13.6W | 13.6W | 13.6W |
| Beam Angle | 12° | 24° | 38° | 60° |
| Delivered Lumens | 745 | 794 | 897 | 773 |
| Delivered Intensisty cd | 10562 | 4368 | 2651 | 1182 |
| Efficacy lm/w | 55 | 58 | 66 | 57 |
| Forward Volt | 33V | 33V | 33V | 33V |
| CRI | ≥90 CRI | ≥90 CRI | ≥90 CRI | ≥90 CRI |

LED51/U

| LED Source | LED51/2 | LED51/2 | LED51/2 | LED51/2 |
|-------------------------|---------|---------|---------|---------|
| CCT | 3000K | 3000K | 3000K | 3000K |
| Drive Current | 350mA | 350mA | 350mA | 350mA |
| Power inc Driver | 13.6W | 13.6W | 13.6W | 13.6W |
| Beam Angle | 12° | 24° | 38° | 60° |
| Delivered Lumens | 666 | 654 | 786 | 658 |
| Delivered Intensisty cd | 9565 | 3983 | 1917 | 1015 |
| Efficacy lm/w | 49 | 48 | 58 | 48 |
| Forward Volt | 33V | 33V | 33V | 33V |
| CRI | ≥98 CRI | ≥98 CRI | ≥98 CRI | ≥98 CRI |

LED51SS

| LED Source | LED51SS |
|-------------------------|---------|
| CCT | 3000K |
| Drive Current | 500mA |
| Power inc Driver | 6.75W |
| Beam Angle | 7° |
| Delivered Lumens | 406 |
| Delivered Intensisty cd | 15804 |
| Efficacy lm/w | 60 |
| Forward Volt | 11.5V |
| CRI | ≥90 CRI |

Above data is for singular fixture

LED51WD

| LED Source | LED51WD | LED51WD |
|-------------------------|---------|---------|
| CCT | 3000K | 3000K |
| Drive Current | 500mA | 500mA |
| Power inc Driver | 17.1W | 17.1W |
| Beam Angle | 28° | 39° |
| Delivered Lumens | 524 | 595 |
| Delivered Intensisty cd | 2079 | 1348 |
| Efficacy lm/w | 31 | 35 |
| Forward Volt | 29.1V | 29.1V |
| CRI | ≥95 CRI | ≥95 CRI |

Test results at full output

LED51TW

| LED Source | LED51TW | LED51TW |
|---------------------------------|---------|---------|
| CCT range 5000K-2000K | @ 3000K | @ 3000K |
| Drive Current (max per channel) | 700mA | 700mA |
| Power inc Driver Max | 15.1W | 15.1W |
| Beam Angle | 25° | 35° |
| Delivered Lumens | 486 | 555 |
| Delivered Intensisty cd | 2183 | 1340 |
| Efficacy lm/w | 32 | 37 |
| Forward Volt (max per channel) | 18.4V | 18.4V |
| CRI | ≥95 CRI | ≥95 CRI |

Above data is for singular fixture

Project Ref: _____

Location Ref: _____

Fixture Order Code: - - -

Fixture
A090+13-LED-TR Plus Bevel Fixed Trim with LED51

Finish
WH White
BK Black
RAL Custom RAL Colour*

Location
DP Damp
WT Wet
XX Standard Location

Ceiling Thickness
12 1/2"
58 5/8"
75 3/4"
C Custom



.....

Project Ref: _____

Location Ref: _____

LED Order Code:

| | | | | |
|--|---|--|---|--|
| | - | | - | |
|--|---|--|---|--|

| | |
|----------------------------------------------------------------------------------------------|----------------------------------------------------------------------------------------------------------------------------------------------------------------------------------------|
| <p>LED</p> <p>LED51/2</p> <p>LED51/U</p> <p>LED51SS</p> <p>LED51WD</p> <p>LED51TW</p> | <p>LED50 ONE GEN2 (90 CRI)</p> <p>LED50 ONE ULTRA (98 CRI)</p> <p>LED50 ONE SuperSpot (90 CRI)</p> <p>LED50 ONE Ambiance WarmDim (95 CRI)</p> <p>LED50 ONE Tuneable White (95 CRI)</p> |
|----------------------------------------------------------------------------------------------|----------------------------------------------------------------------------------------------------------------------------------------------------------------------------------------|

CCT

LED51/2 CCT

| | |
|----|-------|
| 27 | 2700K |
| 30 | 3000K |
| 35 | 3500K |
| 40 | 4000K |

LED51/U CCT

| | |
|----|-------|
| 27 | 2700K |
| 30 | 3000K |
| 35 | 3500K |

LED51SS CCT

| | |
|----|-------|
| 27 | 2700K |
| 30 | 3000K |
| 35 | 3500K |
| 40 | 4000K |

LED51WD CCT

| | |
|------|---------------|
| 2720 | 2700K - 2000K |
| 3020 | 3000K - 2000K |

LED51TW CCT

| | |
|------|---------------|
| 5020 | 5000K - 2000K |
|------|---------------|

Beam

LED51/2 Beam

| | |
|----|-----|
| 12 | 12° |
| 24 | 24° |
| 38 | 38° |
| 60 | 60° |

LED51/U Beam

| | |
|----|-----|
| 12 | 12° |
| 24 | 24° |
| 38 | 38° |
| 60 | 60° |

LED51SS Beam

| | |
|---|----|
| 7 | 7° |
|---|----|

LED51WD Beam

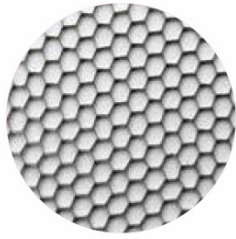
| | |
|----|-----|
| 28 | 28° |
| 39 | 39° |

LED51TW Beam

| | |
|----|-----|
| 25 | 25° |
| 35 | 35° |

CCT - Please choose CCT depending on LED50 ONE Module required

Beam - Please choose Beam Angle depending on LED50 ONE Module required



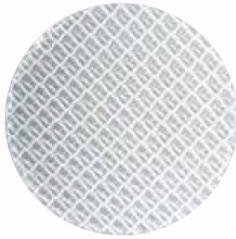
Honeycomb Louvre (LL45)



Solite/Diffusing Lens (LLDF)



Frosted Lens (LLFR)



Heavy Spread Lens (LLHS)



Linear Spread Lens (LLLS)



Warm Tone (LLCC)

Accessories Order Code:

Louvre/Lens

- LL45 Honeycomb Louvre
- LLCC Warm Tone Lens
- LLUV UV Lens
- LLDF Solite/Diffusing Lens
- LLFR Frosted Lens
- LLLS Linear Spread Lens
- LLHS Heavy Spread Lens

Technical Details

*Custom RAL code must be specified. Custom RAL colours can increase prices and lead times

Dimming. Whilst Lucent can offer the majority of its luminaires with various dimming options, it remains the responsibility of the specifier/installer to check and ensure compatibility of any control equipment used. Additional cabling may be required depending on the dimming protocol specified.

**Bluetooth (wireless) is the communication method. The exact dimming protocol must be confirmed to allow the selection of suitable drivers or bluetooth devices.

^ Depth indicated is the minimum recess depth for the luminaire with a remote mounted LED driver. Installing a driver through either the luminaire cut-out or installation kit may require additional recess depth, please refer to the relevant luminaire installation instructions for further details. Data correct at time of publishing

First Fix Requirement. Luminaire comprised of fixture body with ceiling trim and installation kit, which is to be fitted into the ceiling once finished. Ensure correct alignment of the installation kit before final assembly (see luminaire installation instructions for details)

Location. Tested from underside of the ceiling

It is the policy of Lucent Lighting to continually review and improve its products and therefore reserve the right to change any details of product or withdraw specifications without prior notice.

This specification sheet supersedes all previous versions.

All intellectual property rights pertaining to the product described above and to this document are owned by or licensed to Lucent Lighting Ltd.

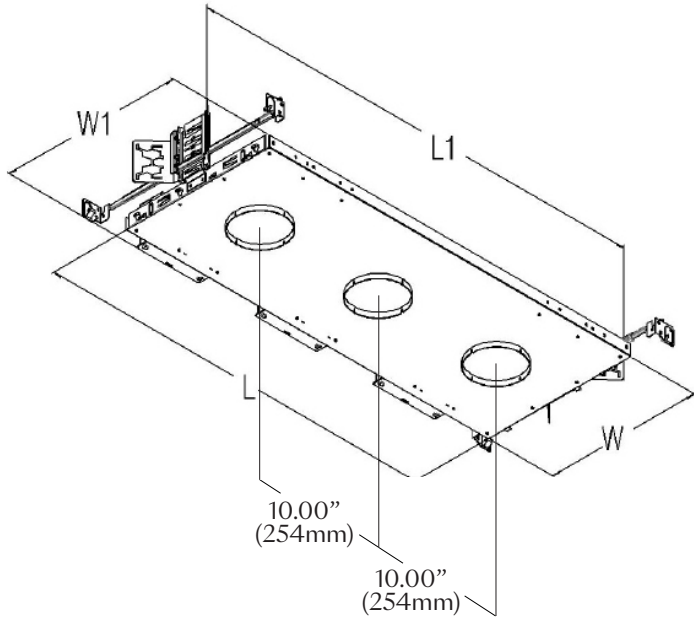
We reserve the right to take whatever action is necessary to protect those intellectual property rights.

Please notify Lucent Lighting Ltd of any inaccuracies immediately. E&OE



Project Ref: _____

Location Ref: _____



| O.C." (254mm) | L (778mm) | LI (893mm) | W (305mm) | WI (369mm) |
|---------------|-----------|------------|-----------|------------|
| 10.00" | 30.60" | 35.15" | 12.00" | 14.45" |

LMT-M3-NIC

Tray Order Code:



Housing Type

LMT-M3-NIC Lucent Triple Mounting Tray
Non-Insulated Ceiling

Mounting Hardware

09 9" to 15.25"
14 14" to 24"
36 28" to 36"
BB Butterfly Bracket
CB Caterpillar Bracket

LED
LED51

LED51 Range

Supply Voltage

120 120V
277 277V

Protocol

S Non-Dimmable
P TRIAC/Phase (120V ONLY)
LP Lutron Forward Phase 2-Wire (120V ONLY)
ESS EcoSystem 5-Series 5%
LHE EcoSystem Hi-Lume 1% Fade to Black
LAE Lutron 3-Wire Hi-Lume 1%
A Analog (0-10V)
ED EldoLED DALI (Not Available for LED51WD)
EA EldoLED Analog (0-10V) (Not Available for LED51WD)
B Bluetooth

BELOW PROTOCOL FOR LED51TW

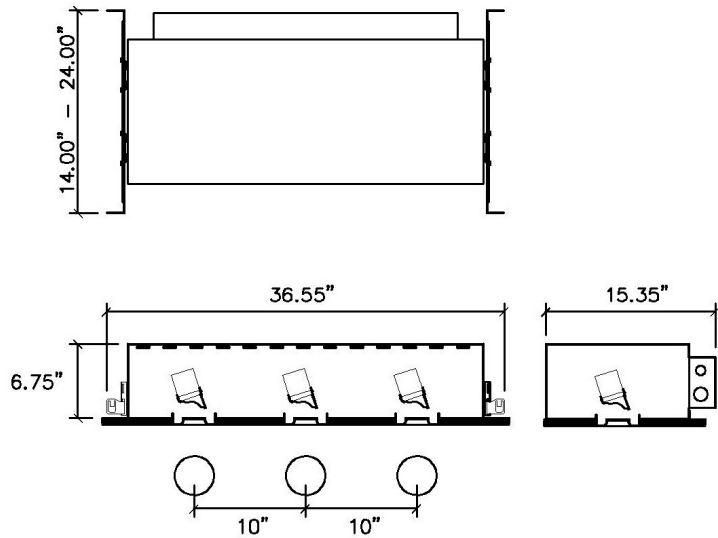
A2 Analogue (0-10V) 2-Channel
D6 DALI Type 6**
D8 DALI Type 8**
L Lutron (Consult Factory)

Emergency

E Maintained 3hr Emergency
ES Maintained 3hr Self Test

Project Ref: _____

Location Ref: _____



LH-M3-6.75

Tray Order Code: LH-M3-6.75 - NIC - - LED51 - - -

Housing Type _____
 LH-M3-6.75 Lucent Triple Housing 6.75"

Housing Type _____
 NIC Non-Insulated Ceiling

Mounting Hardware _____
 09 9" to 15.25"
 14 14" to 24"
 36 28" to 36"
 BB Butterfly Bracket
 CB Caterpillar Bracket

LED _____
 LED51 LED51 Range

Supply Voltage _____
 120 120V
 277 277V

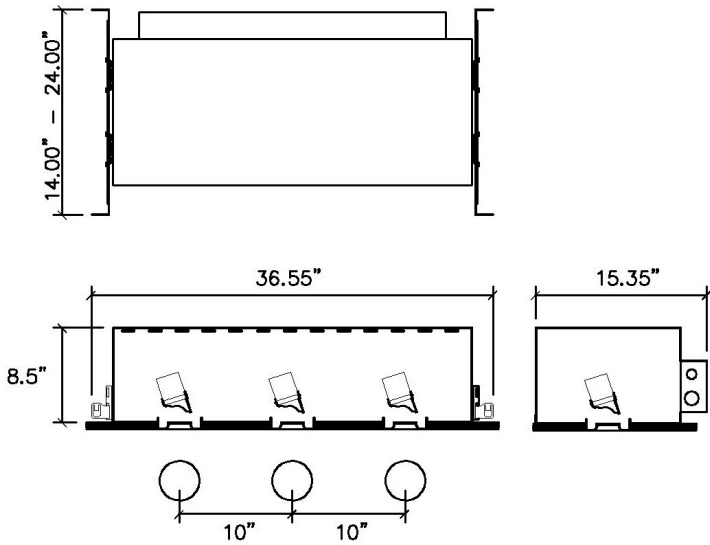
Protocol _____

| | | | |
|-----|----------------------------------------------------|----------------------------|----------------------------|
| S | Non-Dimmable | BELOW PROTOCOL FOR LED51TW | |
| P | TRIAC/Phase (120V ONLY) | A2 | Analogue (0-10V) 2-Channel |
| LP | Lutron Forward Phase 2-Wire (120V ONLY) | D6 | DALI Type 6** |
| ESS | EcoSystem 5-Series 5% | D8 | DALI Type 8** |
| LHE | EcoSystem Hi-Lume 1% Fade to Black | L | Lutron (Consult Factory) |
| LAE | Lutron 3-Wire Hi-Lume 1% | | |
| A | Analog (0-10V) | | |
| ED | EldoLED DALI (Not Available for LED51WD) | | |
| EA | EldoLED Analog (0-10V) (Not Available for LED51WD) | | |
| B | Bluetooth | | |

Emergency _____
 E Maintained 3hr Emergency
 ES Maintained 3hr Self Test

Project Ref: _____

Location Ref: _____



LH-M3-8.50

Tray Order Code:

LH-M3-8.50 - [] - [] - LED51 - [] - [] - []

Housing Type

LH-M3-8.50 Lucent Triple Housing 8.50"

Housing Type

NIC Non-Insulated Ceiling
 IC Insulated Ceiling
 AT Airtight Ceiling, CCEA

Mounting Hardware

09 9" to 15.25"
 14 14" to 24"
 36 28" to 36"
 BB Butterfly Bracket
 CB Caterpillar Bracket

LED

LED51 LED51 Range

Supply Voltage

120 120V
 277 277V

Protocol

| | | | |
|-----|------------------------------------------------------|----------------------------|----------------------------|
| S | Non-Dimmable | BELOW PROTOCOL FOR LED51TW | |
| P | TRIAC/Phase (120V ONLY) | | |
| LP | Lutron Forward Phase 2-Wire (120V ONLY) | A2 | Analogue (0-10V) 2-Channel |
| ESS | EcoSystem 5-Series 5% | D6 | DALI Type 6** |
| LHE | EcoSystem Hi-Lume 1% Fade to Black | D8 | DALI Type 8** |
| LAE | Lutron 3-Wire Hi-Lume 1% | L | Lutron (Consult Factory) |
| A | Analogue (0-10V) | | |
| ED | EldoLED DALI (Not Available for LED51WD) | | |
| EA | EldoLED Analogue (0-10V) (Not Available for LED51WD) | | |
| B | Bluetooth | | |

Emergency

E Maintained 3hr Emergency
 ES Maintained 3hr Self Test