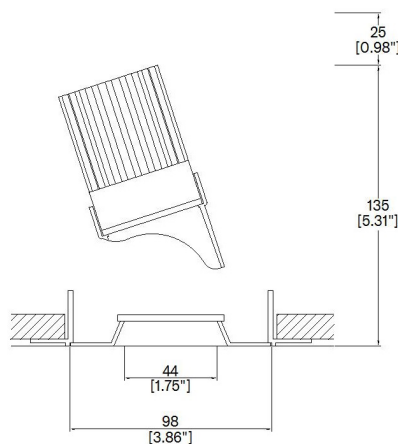


ProSpex Plus Bevel Accent Non-Locking Trimless Twin



98mm (3.86") overall trimless diameter. Up to 45° manual tilt and 350° manual rotation. Supplied with standard trim kit. Family of matching products also available. Required depth height + 25mm[^]



A093+13-NL-LED-TR
Cut-out 4" (102mm) Ø

Fixture Output Data

LED51/2

LED Source	LED51/2	LED51/2	LED51/2	LED51/2
CCT	3000K	3000K	3000K	3000K
Drive Current	350mA	350mA	350mA	350mA
Power inc Driver	13.6W	13.6W	13.6W	13.6W
Beam Angle	12°	24°	38°	60°
Delivered Lumens	618	730	821	878
Delivered Intensisty cd	9525	4219	2502	1204
Efficacy lm/w	45	54	60	65
Forward Volt	33V	33V	33V	33V
CRI	≥90 CRI	≥90 CRI	≥90 CRI	≥90 CRI

LED51/U

LED Source	LED51/2	LED51/2	LED51/2	LED51/2
CCT	3000K	3000K	3000K	3000K
Drive Current	350mA	350mA	350mA	350mA
Power inc Driver	13.6W	13.6W	13.6W	13.6W
Beam Angle	12°	24°	38°	60°
Delivered Lumens	613	647	755	598
Delivered Intensisty cd	9297	3983	1873	1015
Efficacy lm/w	45	48	55	44
Forward Volt	33V	33V	33V	33V
CRI	≥98 CRI	≥98 CRI	≥98 CRI	≥98 CRI

LED51SS

LED Source	LED51SS
CCT	3000K
Drive Current	500mA
Power inc Driver	6.75W
Beam Angle	7°
Delivered Lumens	382
Delivered Intensisty cd	15170
Efficacy lm/w	57
Forward Volt	11.5V
CRI	≥90 CRI

Above data is for singular fixture

LED51WD

LED Source	LED51WD	LED51WD
CCT	3000K	3000K
Drive Current	500mA	500mA
Power inc Driver	17.1W	17.1W
Beam Angle	28°	39°
Delivered Lumens	520	574
Delivered Intensisty cd	2048	1285
Efficacy lm/w	30	34
Forward Volt	29.1V	29.1V
CRI	≥95 CRI	≥95 CRI

Test results at full output

LED51TW

LED Source	LED51TW	LED51TW
CCT range 5000K-2000K	@ 3000K	@ 3000K
Drive Current (max per channel)	700mA	700mA
Power inc Driver Max	15.1W	15.1W
Beam Angle	25°	35°
Delivered Lumens	475	529
Delivered Intensisty cd	2080	1225
Efficacy lm/w	31	35
Forward Volt (max per channel)	18.4V	18.4V
CRI	≥95 CRI	≥95 CRI

Above data is for singular fixture

Project Ref: _____

Location Ref: _____

Fixture Order Code: - - -

Fixture
A093+13-NL-LED-TL Plus Bevel Accent Non-Locking Trimless with LED51

Finish
WH White
BK Black
RAL Custom RAL Colour*

Location
DP Damp
WT Wet
XX Standard Location

Ceiling Thickness
12 1/2"
58 5/8"
75 3/4"
C Custom



Project Ref: _____

Location Ref: _____

LED Order Code:

	-		-	
--	---	--	---	--

<p>LED</p> <p>LED51/2</p> <p>LED51/U</p> <p>LED51SS</p> <p>LED51WD</p> <p>LED51TW</p>	<p>LED50 ONE GEN2 (90 CRI)</p> <p>LED50 ONE ULTRA (98 CRI)</p> <p>LED50 ONE SuperSpot (90 CRI)</p> <p>LED50 ONE Ambiance WarmDim (95 CRI)</p> <p>LED50 ONE Tuneable White (95 CRI)</p>
---	--

CCT

LED51/2 CCT

27	2700K
30	3000K
35	3500K
40	4000K

LED51/U CCT

27	2700K
30	3000K
35	3500K

LED51SS CCT

27	2700K
30	3000K
35	3500K
40	4000K

LED51WD CCT

2720	2700K - 2000K
3020	3000K - 2000K

LED51TW CCT

5020	5000K - 2000K
------	---------------

Beam

LED51/2 Beam

12	12°
24	24°
38	38°
60	60°

LED51/U Beam

12	12°
24	24°
38	38°
60	60°

LED51SS Beam

7	7°
---	----

LED51WD Beam

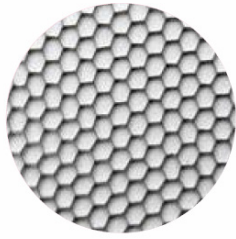
28	28°
39	39°

LED51TW Beam

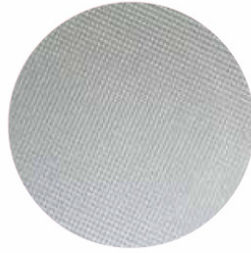
25	25°
35	35°

CCT - Please choose CCT depending on LED50 ONE Module required

Beam - Please choose Beam Angle depending on LED50 ONE Module required



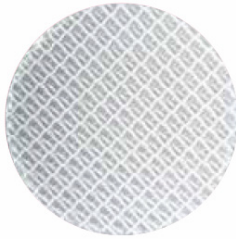
Honeycomb Louvre (LL45)



Solite/Diffusing Lens (LLDF)



Frosted Lens (LLFR)



Heavy Spread Lens (LLHS)



Linear Spread Lens (LLLS)



Warm Tone (LLCC)

Accessories Order Code:

Louvre/Lens

- LL45 Honeycomb Louvre
- LLCC Warm Tone Lens
- LLUV UV Lens
- LLDF Solite/Diffusing Lens
- LLFR Frosted Lens
- LLLS Linear Spread Lens
- LLHS Heavy Spread Lens

Technical Details

*Custom RAL code must be specified. Custom RAL colours can increase prices and lead times

Dimming. Whilst Lucent can offer the majority of its luminaires with various dimming options, it remains the responsibility of the specifier/installer to check and ensure compatibility of any control equipment used. Additional cabling may be required depending on the dimming protocol specified.

**Bluetooth (wireless) is the communication method. The exact dimming protocol must be confirmed to allow the selection of suitable drivers or bluetooth devices.

^ Depth indicated is the minimum recess depth for the luminaire with a remote mounted LED driver. Installing a driver through either the luminaire cut-out or installation kit may require additional recess depth, please refer to the relevant luminaire installation instructions for further details. Data correct at time of publishing

First Fix Requirement. Luminaire comprised of fixture body with ceiling trim and installation kit, which is to be fitted into the ceiling once finished. Ensure correct alignment of the installation kit before final assembly (see luminaire installation instructions for details)

Location. Tested from underside of the ceiling

It is the policy of Lucent Lighting to continually review and improve its products and therefore reserve the right to change any details of product or withdraw specifications without prior notice.

This specification sheet supersedes all previous versions.

All intellectual property rights pertaining to the product described above and to this document are owned by or licensed to Lucent Lighting Ltd.

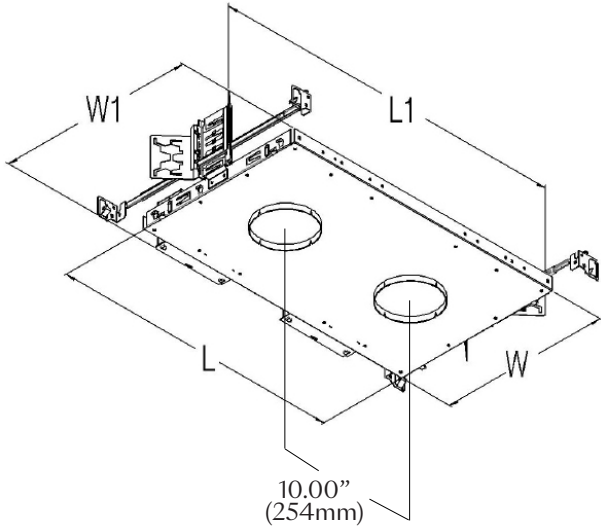
We reserve the right to take whatever action is necessary to protect those intellectual property rights.

Please notify Lucent Lighting Ltd of any inaccuracies immediately. E&OE



Project Ref: _____

Location Ref: _____



LMT-M2-NIC

O.C."	L	L1	W	W1
10.00" (254mm)	20.60" (524mm)	25.15" (639mm)	12.00" (305mm)	14.45" (369mm)

Tray Order Code:

-
 -
 -
 -
 -

Housing Type

LMT-M2-NIC Lucent Twin Mounting Tray
Non-Insulated Ceiling

Mounting Hardware

09 9" to 15.25"
14 14" to 24"
36 28" to 36"
BB Butterfly Bracket
CB Caterpillar Bracket

LED

LED51 LED51 Range

Supply Voltage

120 120V
277 277V

Protocol

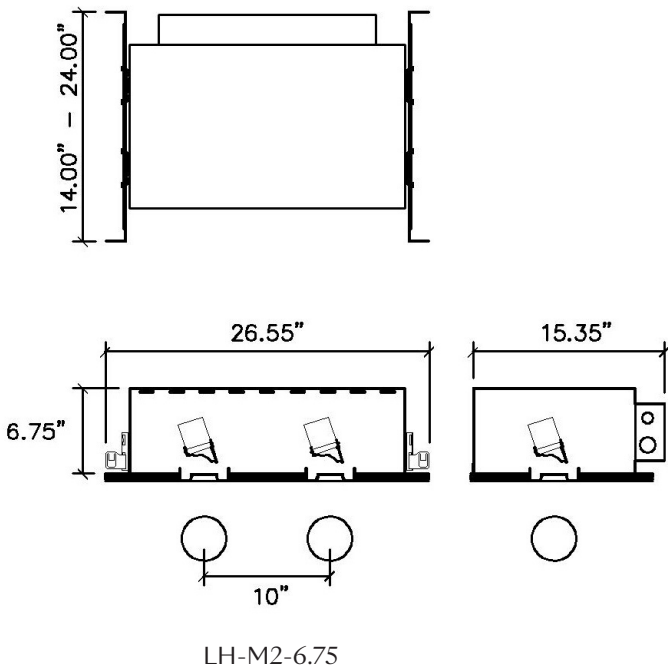
S	Non-Dimmable	BELOW PROTOCOL FOR LED51TW	
P	TRIAC/Phase (120V ONLY)	A2	Analogue (0-10V) 2-Channel
LP	Lutron Forward Phase 2-Wire (120V ONLY)	D6	DALI Type 6**
ESS	EcoSystem 5-Series 5%	D8	DALI Type 8**
LHE	EcoSystem Hi-Lume 1% Fade to Black	L	Lutron (Consult Factory)
LAE	Lutron 3-Wire Hi-Lume 1%		
A	Analog (0-10V)		
ED	EldoLED DALI (Not Available for LED51WD)		
EA	EldoLED Analog (0-10V) (Not Available for LED51WD)		
B	Bluetooth		

Emergency

E Maintained 3hr Emergency
ES Maintained 3hr Self Test

Project Ref: _____

Location Ref: _____



Tray Order Code:

LH-M2-6.75

 -

NIC

 -
 -

LED51

 -
 -
 -

Housing Type _____
 LH-M2-6.75 Lucent Twin Housing 6.75"

Housing Type _____
 NIC Non-Insulated Ceiling

Mounting Hardware _____
 09 9" to 15.25"
 14 14" to 24"
 36 28" to 36"
 BB Butterfly Bracket
 CB Caterpillar Bracket

LED _____
 LED51 LED51 Range

Supply Voltage _____
 120 120V
 277 277V

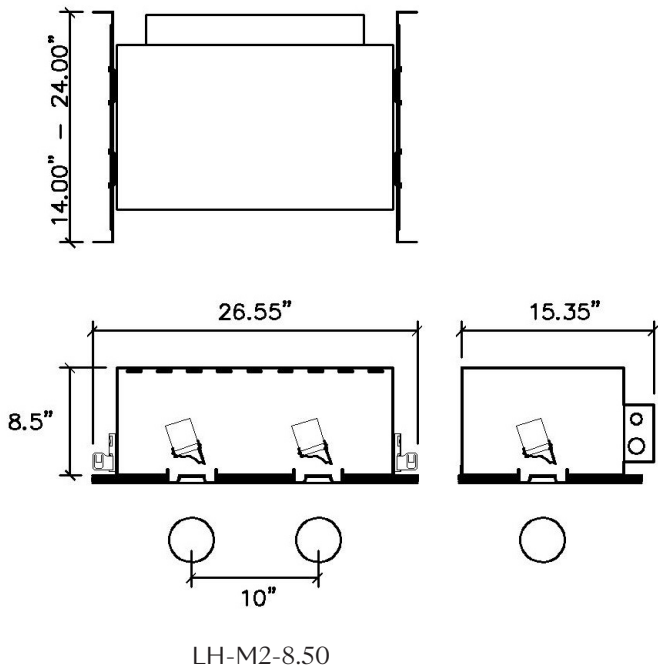
Protocol _____

S Non-Dimmable P TRIAC/Phase (120V ONLY) LP Lutron Forward Phase 2-Wire (120V ONLY) ESS EcoSystem 5-Series 5% LHE EcoSystem Hi-Lume 1% Fade to Black LAE Lutron 3-Wire Hi-Lume 1% A Analog (0-10V) ED EldoLED DALI (Not Available for LED51WD) EA EldoLED Analog (0-10V) (Not Available for LED51WD) B Bluetooth	BELOW PROTOCOL FOR LED51TW A2 Analogue (0-10V) 2-Channel D6 DALI Type 6** D8 DALI Type 8** L Lutron (Consult Factory)
---	---

Emergency _____
 E Maintained 3hr Emergency
 ES Maintained 3hr Self Test

Project Ref: _____

Location Ref: _____



Tray Order Code:

LH-M2-8.50 - [] - [] - LED51 - [] - [] - []

Housing Type

LH-M2-8.50 Lucent Twin Housing 8.50"

Housing Type

NIC Non-Insulated Ceiling
 IC Insulated Ceiling
 AT Airtight Ceiling, CCEA

Mounting Hardware

09 9" to 15.25"
 14 14" to 24"
 36 28" to 36"
 BB Butterfly Bracket
 CB Caterpillar Bracket

LED

LED51 LED51 Range

Supply Voltage

120 120V
 277 277V

Protocol

S	Non-Dimmable	BELOW PROTOCOL FOR LED51TW	
P	TRIAC/Phase (120V ONLY)	A2	Analogue (0-10V) 2-Channel
LP	Lutron Forward Phase 2-Wire (120V ONLY)	D6	DALI Type 6**
ESS	EcoSystem 5-Series 5%	D8	DALI Type 8**
LHE	EcoSystem Hi-Lume 1% Fade to Black	L	Lutron (Consult Factory)
LAE	Lutron 3-Wire Hi-Lume 1%		
A	Analog (0-10V)		
ED	EldoLED DALI (Not Available for LED51WD)		
EA	EldoLED Analog (0-10V) (Not Available for LED51WD)		
B	Bluetooth		

Emergency

E Maintained 3hr Emergency
 ES Maintained 3hr Self Test