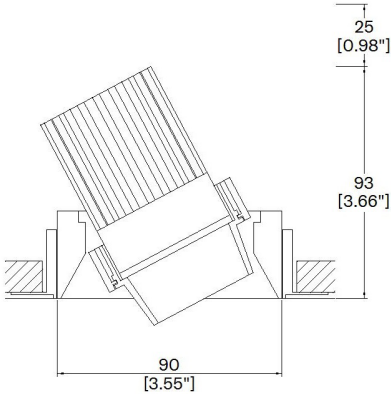


Axis Mini2 Trimless Triple



120mm (4.74") overall trim diameter. Supplied with plaster-in kit for flush appearance. Family of matching products also available. Required depth height + 25mm^



A200/2-LED-TL
Cut-out 4.17" (106mm) Ø

Fixture Output Data

LED51/2

LED Source	LED51/2	LED51/2	LED51/2	LED51/2
CCT	3000K	3000K	3000K	3000K
Drive Current	350mA	350mA	350mA	350mA
Power inc Driver	13.6W	13.6W	13.6W	13.6W
Beam Angle	12°	24°	38°	60°
Delivered Lumens	731	841	905	979
Delivered Intensisty cd	9211	4143	2562	1449
Efficacy lm/w	54	62	67	72
Forward Volt	33V	33V	33V	33V
CRI	≥90 CRI	≥90 CRI	≥90 CRI	≥90 CRI

LED51/U

LED Source	LED51/2	LED51/2	LED51/2	LED51/2
CCT	3000K	3000K	3000K	3000K
Drive Current	350mA	350mA	350mA	350mA
Power inc Driver	13.6W	13.6W	13.6W	13.6W
Beam Angle	12°	24°	38°	60°
Delivered Lumens	673	697	832	
Delivered Intensisty cd	8489	3952	2201	
Efficacy lm/w	50	51	61	
Forward Volt	33V	33V	33V	33V
CRI	≥98 CRI	≥98 CRI	≥98 CRI	≥98 CRI

LED51SS

LED Source	LED51SS
CCT	3000K
Drive Current	500mA
Power inc Driver	6.75W
Beam Angle	7°
Delivered Lumens	407
Delivered Intensisty cd	16255
Efficacy lm/w	60
Forward Volt	11.5V
CRI	≥90 CRI

Above data is for singular fixture

LED51WD

LED Source	LED51WD	LED51WD
CCT	3000K	3000K
Drive Current	500mA	500mA
Power inc Driver	17.1W	17.1W
Beam Angle	28°	39°
Delivered Lumens	592	679
Delivered Intensisty cd	1839	1281
Efficacy lm/w	35	40
Forward Volt	29.1V	29.1V
CRI	≥95 CRI	≥95 CRI

Test results at full output

LED51TW

LED Source	LED51TW	LED51TW
CCT range 5000K-2000K	@ 3000K	@ 3000K
Drive Current (max per channel)	700mA	700mA
Power inc Driver Max	15.1W	15.1W
Beam Angle	25°	35°
Delivered Lumens	535	611
Delivered Intensisty cd	1952	1241
Efficacy lm/w	35	40
Forward Volt (max per channel)	18.4V	18.4V
CRI	≥95 CRI	≥95 CRI

Above data is for singular fixture

Project Ref: _____

Location Ref: _____

Fixture Order Code: A200/2-LED - TL - -

Fixture
A200/2-LED Axis3.5 GEN2 with LED51

Installation
TL Trimless

Finish
WH White
BK Black
RAL Custom RAL Colour*

Ceiling Thickness
12 1/2"
58 5/8"
75 3/4"
C Custom



Project Ref: _____

Location Ref: _____

LED Order Code:

	-		-	
--	---	--	---	--

- LED**
- LED51/2 LED50 ONE GEN2 (90 CRI)
 - LED51/U LED50 ONE ULTRA (98 CRI)
 - LED51SS LED50 ONE SuperSpot (90 CRI)
 - LED51WD LED50 ONE Ambiance WarmDim (95 CRI)
 - LED51TW LED50 ONE Tuneable White (95 CRI)

- CCT**
- LED51/2 CCT**
- 27 2700K
 - 30 3000K
 - 35 3500K
 - 40 4000K

- LED51/U CCT**
- 27 2700K
 - 30 3000K
 - 35 3500K

- LED51SS CCT**
- 27 2700K
 - 30 3000K
 - 35 3500K
 - 40 4000K

- LED51WD CCT**
- 2720 2700K - 2000K
 - 3020 3000K - 2000K

- LED51TW CCT**
- 5020 5000K - 2000K

- Beam**
- LED51/2 Beam**
- 12 12°
 - 24 24°
 - 38 38°
 - 60 60°

- LED51/U Beam**
- 12 12°
 - 24 24°
 - 38 38°
 - 60 60°

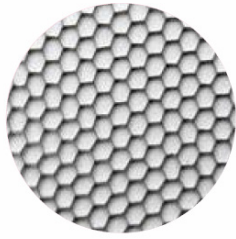
- LED51SS Beam**
- 7 7°

- LED51WD Beam**
- 28 28°
 - 39 39°

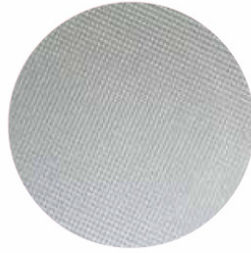
- LED51TW Beam**
- 25 25°
 - 35 35°

CCT - Please choose CCT depending on LED50 ONE Module required

Beam - Please choose Beam Angle depending on LED50 ONE Module required



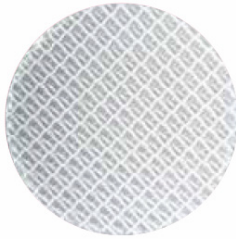
Honeycomb Louvre



Diffusing Lens



Frosted Lens



Heavy Spread Lens



Linear Spread Lens



Warm Tone

Accessories Order Code:

Louvre/Lens

- LL45 Honeycomb Louvre
- LLCC Warm Tone Lens
- LLUV UV Lens
- LLDF Diffusing Lens
- LLFR Frosted Lens
- LLLS Linear Spread Lens
- LLHS Heavy Spread Lens

Technical Details

*Custom RAL code must be specified. Custom RAL colours can increase prices and lead times

Dimming. Whilst Lucent can offer the majority of its luminaires with various dimming options, it remains the responsibility of the specifier/installer to check and ensure compatibility of any control equipment used. Additional cabling may be required depending on the dimming protocol specified.

**DALI Type 6 requires two DALI addresses, one for CCT control the other for Intesity control. DALI Type 8 is a single DALI Type 8 address for CCT and Intesity control. Please check which control system is being used before specifying.

**Bluetooth (wireless) is the communication method. The exact dimming protocol must be confirmed to allow the selection of suitable drivers or bluetooth devices.

^ Depth indicated is the minimum recess depth for the luminaire with a remote mounted LED driver. Installing a driver through either the luminaire cut-out or installation kit may require additional recess depth, please refer to the relevant luminaire installation instructions for further details. Data correct at time of publishing

First Fix Requirement. Luminaire comprised of fixture body with ceiling trim and installation kit, which is to be fitted into the ceiling once finished. Ensure correct alignment of the installation kit before final assembly (see luminaire installation instructions for details)

Location. Tested from underside of the ceiling

It is the policy of Lucent Lighting to continually review and improve its products and therefore reserve the right to change any details of product or withdraw specifications without prior notice.

This specification sheet superseded all previous versions.

All intellectual property rights pertaining to the product described above and to this document are owned by or licensed to Lucent Lighting Ltd.

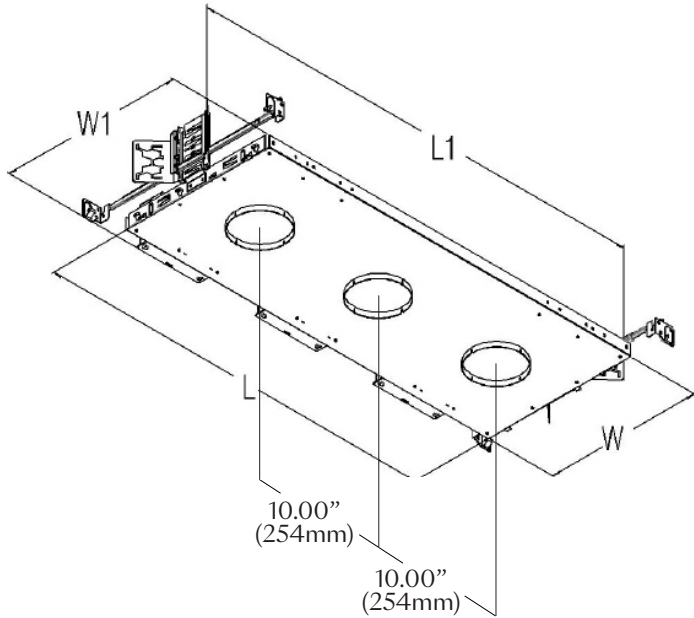
We reserve the right to take whatever action is necessary to protect those intellectual property rights.

Please notify Lucent Lighting Ltd of any inaccuracies immediately. E&OE



Project Ref: _____

Location Ref: _____



O.C."	L	L1	W	W1
10.00" (254mm)	30.60" (778mm)	35.15" (893mm)	12.00" (305mm)	14.45" (369mm)

LMT-M3-NIC

Tray Order Code:



Housing Type

LMT-M3-NIC Lucent Triple Mounting Tray
Non-Insulated Ceiling

Mounting Hardware

09 9" to 15.25"
14 14" to 24"
36 28" to 36"
BB Butterfly Bracket
CB Caterpillar Bracket

LED
LED51

LED51 Range

Supply Voltage

120 120V
277 277V

Protocol

S Non-Dimmable
P TRIAC/Phase (120V ONLY)
LP Lutron Forward Phase 2-Wire (120V ONLY)
ESS EcoSystem 5-Series 5%
LHE EcoSystem Hi-Lume 1% Fade to Black
LAE Lutron 3-Wire Hi-Lume 1%
A Analog (0-10V)
ED EldoLED DALI (Not Available for LED51WD)
EA EldoLED Analog (0-10V) (Not Available for LED51WD)
B Bluetooth

BELOW PROTOCOL FOR LED51TW

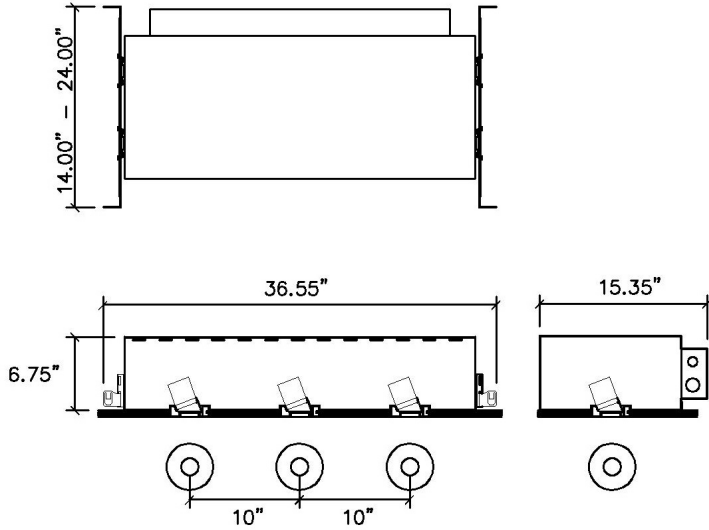
A2 Analogue (0-10V) 2-Channel
D6 DALI Type 6**
D8 DALI Type 8**
L Lutron (Consult Factory)

Emergency

E Maintained 3hr Emergency
ES Maintained 3hr Self Test

Project Ref: _____

Location Ref: _____



LH-M3-6.75

Tray Order Code: LH-M3-6.75 - NIC - - LED51 - - -

Housing Type _____
 LH-M3-6.75 Lucent Triple Housing 6.75"

Housing Type _____
 NIC Non-Insulated Ceiling

Mounting Hardware _____
 09 9" to 15.25"
 14 14" to 24"
 36 28" to 36"
 BB Butterfly Bracket
 CB Caterpillar Bracket

LED _____
 LED51 LED51 Range

Supply Voltage _____
 120 120V
 277 277V

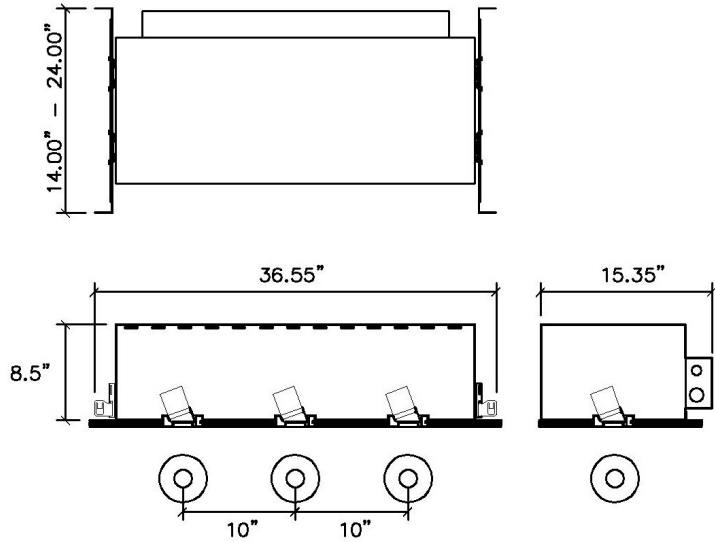
Protocol _____

S	Non-Dimmable	BELOW PROTOCOL FOR LED51TW	
P	TRIAC/Phase (120V ONLY)	A2	Analogue (0-10V) 2-Channel
LP	Lutron Forward Phase 2-Wire (120V ONLY)	D6	DALI Type 6**
ESS	EcoSystem 5-Series 5%	D8	DALI Type 8**
LHE	EcoSystem Hi-Lume 1% Fade to Black	L	Lutron (Consult Factory)
LAE	Lutron 3-Wire Hi-Lume 1%		
A	Analogue (0-10V)		
ED	EldoLED DALI (Not Available for LED51WD)		
EA	EldoLED Analog (0-10V) (Not Available for LED51WD)		
B	Bluetooth		

Emergency _____
 E Maintained 3hr Emergency
 ES Maintained 3hr Self Test

Project Ref: _____

Location Ref: _____



LH-M3-8.50

Tray Order Code:

LH-M3-8.50 - [] - [] - LED51 - [] - [] - []

Housing Type

LH-M3-8.50 Lucent Triple Housing 8.50"

Housing Type

NIC Non-Insulated Ceiling
 IC Insulated Ceiling
 AT Airtight Ceiling, CCEA

Mounting Hardware

09 9" to 15.25"
 14 14" to 24"
 36 28" to 36"
 BB Butterfly Bracket
 CB Caterpillar Bracket

LED

LED51 LED51 Range

Supply Voltage

120 120V
 277 277V

Protocol

S	Non-Dimmable	BELOW PROTOCOL FOR LED51TW	
P	TRIAC/Phase (120V ONLY)	A2	Analogue (0-10V) 2-Channel
LP	Lutron Forward Phase 2-Wire (120V ONLY)	D6	DALI Type 6**
ESS	EcoSystem 5-Series 5%	D8	DALI Type 8**
LHE	EcoSystem Hi-Lume 1% Fade to Black	L	Lutron (Consult Factory)
LAE	Lutron 3-Wire Hi-Lume 1%		
A	Analog (0-10V)		
ED	EldoLED DALI (Not Available for LED51WD)		
EA	EldoLED Analog (0-10V) (Not Available for LED51WD)		
B	Bluetooth		

Emergency

E Maintained 3hr Emergency
 ES Maintained 3hr Self Test