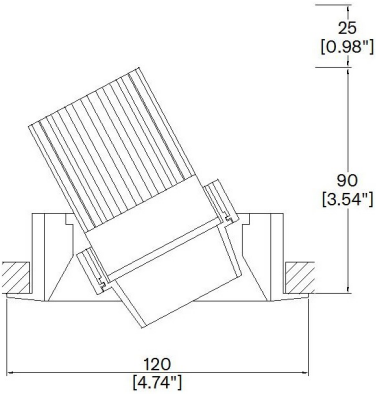


# Axis Mini2 Flange Twin



120mm (4.74") overall trim diameter. Supplied with standard trim kit. Family of matching products also available. Required depth height + 25mm^



A200/2-LED-TR  
Cut-out 4.29" (109mm) Ø

## Fixture Output Data

### LED51/2

| LED Source              | LED51/2 | LED51/2 | LED51/2 | LED51/2 |
|-------------------------|---------|---------|---------|---------|
| CCT                     | 3000K   | 3000K   | 3000K   | 3000K   |
| Drive Current           | 350mA   | 350mA   | 350mA   | 350mA   |
| Power inc Driver        | 13.6W   | 13.6W   | 13.6W   | 13.6W   |
| Beam Angle              | 12°     | 24°     | 38°     | 60°     |
| Delivered Lumens        | 731     | 841     | 905     | 979     |
| Delivered Intensisty cd | 9211    | 4143    | 2562    | 1449    |
| Efficacy lm/w           | 54      | 62      | 67      | 72      |
| Forward Volt            | 33V     | 33V     | 33V     | 33V     |
| CRI                     | ≥90 CRI | ≥90 CRI | ≥90 CRI | ≥90 CRI |

### LED51/U

| LED Source              | LED51/2 | LED51/2 | LED51/2 | LED51/2 |
|-------------------------|---------|---------|---------|---------|
| CCT                     | 3000K   | 3000K   | 3000K   | 3000K   |
| Drive Current           | 350mA   | 350mA   | 350mA   | 350mA   |
| Power inc Driver        | 13.6W   | 13.6W   | 13.6W   | 13.6W   |
| Beam Angle              | 12°     | 24°     | 38°     | 60°     |
| Delivered Lumens        | 673     | 697     | 832     |         |
| Delivered Intensisty cd | 8489    | 3952    | 2201    |         |
| Efficacy lm/w           | 50      | 51      | 61      |         |
| Forward Volt            | 33V     | 33V     | 33V     | 33V     |
| CRI                     | ≥98 CRI | ≥98 CRI | ≥98 CRI | ≥98 CRI |

### LED51SS

| LED Source              | LED51SS |
|-------------------------|---------|
| CCT                     | 3000K   |
| Drive Current           | 500mA   |
| Power inc Driver        | 6.75W   |
| Beam Angle              | 7°      |
| Delivered Lumens        | 407     |
| Delivered Intensisty cd | 16255   |
| Efficacy lm/w           | 60      |
| Forward Volt            | 11.5V   |
| CRI                     | ≥90 CRI |

*Above data is for singular fixture*

## LED51WD

| LED Source              | LED51WD | LED51WD |
|-------------------------|---------|---------|
| CCT                     | 3000K   | 3000K   |
| Drive Current           | 500mA   | 500mA   |
| Power inc Driver        | 17.1W   | 17.1W   |
| Beam Angle              | 28°     | 39°     |
| Delivered Lumens        | 592     | 679     |
| Delivered Intensisty cd | 1839    | 1281    |
| Efficacy lm/w           | 35      | 40      |
| Forward Volt            | 29.1V   | 29.1V   |
| CRI                     | ≥95 CRI | ≥95 CRI |

Test results at full output

## LED51TW

| LED Source                      | LED51TW | LED51TW |
|---------------------------------|---------|---------|
| CCT range 5000K-2000K           | @ 3000K | @ 3000K |
| Drive Current (max per channel) | 700mA   | 700mA   |
| Power inc Driver Max            | 15.1W   | 15.1W   |
| Beam Angle                      | 25°     | 35°     |
| Delivered Lumens                | 535     | 611     |
| Delivered Intensisty cd         | 1952    | 1241    |
| Efficacy lm/w                   | 35      | 40      |
| Forward Volt (max per channel)  | 18.4V   | 18.4V   |
| CRI                             | ≥95 CRI | ≥95 CRI |

*Above data is for singular fixture*

Project Ref: \_\_\_\_\_

Location Ref: \_\_\_\_\_

Complete below for fixture 1

Fixture Order Code: A200/2-LED - TR -  -

Fixture  
A200/2-LED      Axis3.5 GEN2 with LED51

Installation  
TR                Flange

Finish  
WH                White  
BK                Black  
RAL                Custom RAL Colour\*

Ceiling Thickness  
12                1/2"  
58                5/8"  
75                3/4"  
C                 Custom



Project Ref: \_\_\_\_\_

Location Ref: \_\_\_\_\_

### LED Order Code:

|  |   |  |   |  |
|--|---|--|---|--|
|  | - |  | - |  |
|--|---|--|---|--|

|   |  |
|---|--|
| <p>LED<br/>         LED51/2<br/>         LED51/U<br/>         LED51SS<br/>         LED51WD<br/>         LED51TW</p> | <p>LED50 ONE GEN2 (90 CRI)<br/>         LED50 ONE ULTRA (98 CRI)<br/>         LED50 ONE SuperSpot (90 CRI)<br/>         LED50 ONE Ambiance WarmDim (95 CRI)<br/>         LED50 ONE Tuneable White (95 CRI)</p> |
|---|--|

### CCT

#### LED51/2 CCT

|    |       |
|----|-------|
| 27 | 2700K |
| 30 | 3000K |
| 35 | 3500K |
| 40 | 4000K |

#### LED51/U CCT

|    |       |
|----|-------|
| 27 | 2700K |
| 30 | 3000K |
| 35 | 3500K |

#### LED51SS CCT

|    |       |
|----|-------|
| 27 | 2700K |
| 30 | 3000K |
| 35 | 3500K |
| 40 | 4000K |

#### LED51WD CCT

|      |               |
|------|---------------|
| 2720 | 2700K - 2000K |
| 3020 | 3000K - 2000K |

#### LED51TW CCT

|      |               |
|------|---------------|
| 5020 | 5000K - 2000K |
|------|---------------|

### Beam

#### LED51/2 Beam

|    |     |
|----|-----|
| 12 | 12° |
| 24 | 24° |
| 38 | 38° |
| 60 | 60° |

#### LED51/U Beam

|    |     |
|----|-----|
| 12 | 12° |
| 24 | 24° |
| 38 | 38° |
| 60 | 60° |

#### LED51SS Beam

|   |    |
|---|----|
| 7 | 7° |
|---|----|

#### LED51WD Beam

|    |     |
|----|-----|
| 28 | 28° |
| 39 | 39° |

#### LED51TW Beam

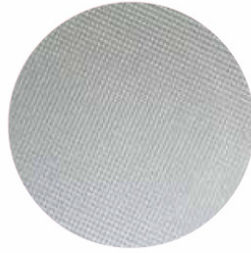
|    |     |
|----|-----|
| 25 | 25° |
| 35 | 35° |

*CCT - Please choose CCT depending on LED50 ONE Module required*

*Beam - Please choose Beam Angle depending on LED50 ONE Module required*



Honeycomb Louvre



Diffusing Lens



Frosted Lens



Heavy Spread Lens



Linear Spread Lens



Warm Tone

Accessories Order Code:

Louvre/Lens

- LL45 Honeycomb Louvre
- LLCC Warm Tone Lens
- LLUV UV Lens
- LLDF Diffusing Lens
- LLFR Frosted Lens
- LLLS Linear Spread Lens
- LLHS Heavy Spread Lens

Technical Details

\*Custom RAL code must be specified. Custom RAL colours can increase prices and lead times

Dimming. Whilst Lucent can offer the majority of its luminaires with various dimming options, it remains the responsibility of the specifier/installer to check and ensure compatibility of any control equipment used. Additional cabling may be required depending on the dimming protocol specified.

\*\*DALI Type 6 requires two DALI addresses, one for CCT control the other for Intesity control. DALI Type 8 is a single DALI Type 8 address for CCT and Intesity control. Please check which control system is being used before specifying.

\*\*Bluetooth (wireless) is the communication method. The exact dimming protocol must be confirmed to allow the selection of suitable drivers or bluetooth devices.

^ Depth indicated is the minimum recess depth for the luminaire with a remote mounted LED driver. Installing a driver through either the luminaire cut-out or installation kit may require additional recess depth, please refer to the relevant luminaire installation instructions for further details. Data correct at time of publishing

First Fix Requirement. Luminaire comprised of fixture body with ceiling trim and installation kit, which is to be fitted into the ceiling once finished. Ensure correct alignment of the installation kit before final assembly (see luminaire installation instructions for details)

Location. Tested from underside of the ceiling

It is the policy of Lucent Lighting to continually review and improve its products and therefore reserve the right to change any details of product or withdraw specifications without prior notice.

This specification sheet superseded all previous versions.

All intellectual property rights pertaining to the product described above and to this document are owned by or licensed to Lucent Lighting Ltd.

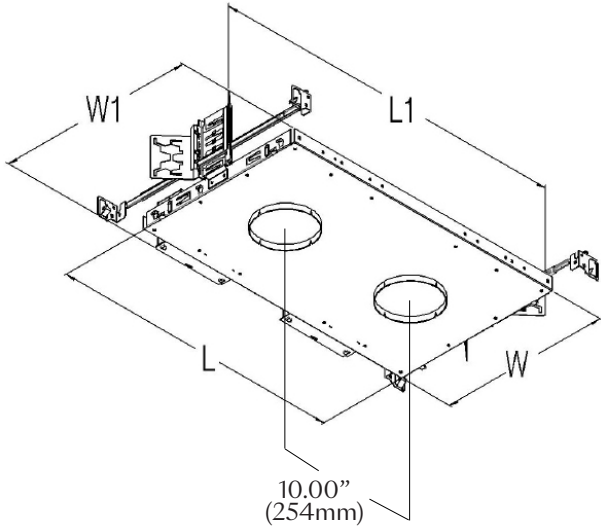
We reserve the right to take whatever action is necessary to protect those intellectual property rights.

Please notify Lucent Lighting Ltd of any inaccuracies immediately. E&OE



Project Ref: \_\_\_\_\_

Location Ref: \_\_\_\_\_



LMT-M2-NIC

| O.C."             | L                 | L1                | W                 | W1                |
|-------------------|-------------------|-------------------|-------------------|-------------------|
| 10.00"<br>(254mm) | 20.60"<br>(524mm) | 25.15"<br>(639mm) | 12.00"<br>(305mm) | 14.45"<br>(369mm) |

Tray Order Code:

- 
  - 
  - 
  - 
  -

**Housing Type**

LMT-M2-NIC Lucent Twin Mounting Tray  
Non-Insulated Ceiling

**Mounting Hardware**

09 9" to 15.25"  
14 14" to 24"  
36 28" to 36"  
BB Butterfly Bracket  
CB Caterpillar Bracket

**LED**

LED51 LED51 Range

**Supply Voltage**

120 120V  
277 277V

**Protocol**

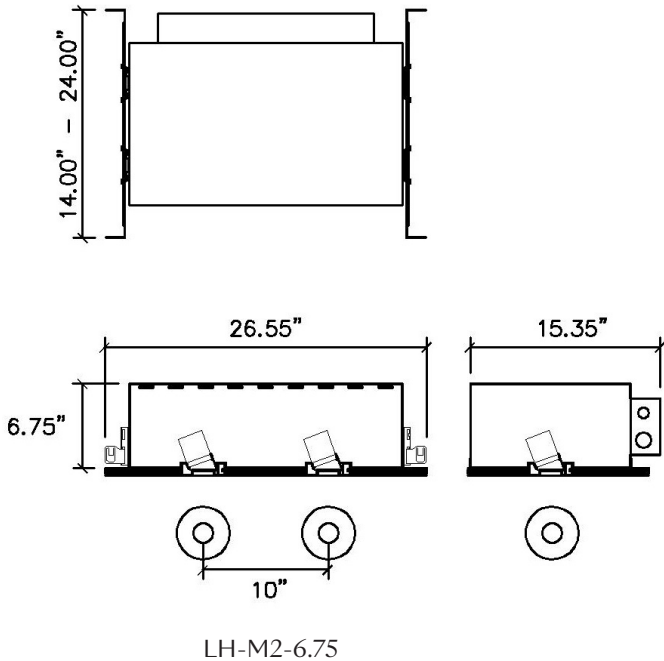
|     |  |                            |                            |
|-----|--|----------------------------|----------------------------|
| S   | Non-Dimmable                                       | BELOW PROTOCOL FOR LED51TW |                            |
| P   | TRIAC/Phase (120V ONLY)                            | A2                         | Analogue (0-10V) 2-Channel |
| LP  | Lutron Forward Phase 2-Wire (120V ONLY)            | D6                         | DALI Type 6**              |
| ESS | EcoSystem 5-Series 5%                              | D8                         | DALI Type 8**              |
| LHE | EcoSystem Hi-Lume 1% Fade to Black                 | L                          | Lutron (Consult Factory)   |
| LAE | Lutron 3-Wire Hi-Lume 1%                           |                            |                            |
| A   | Analog (0-10V)                                     |                            |                            |
| ED  | EldoLED DALI (Not Available for LED51WD)           |                            |                            |
| EA  | EldoLED Analog (0-10V) (Not Available for LED51WD) |                            |                            |
| B   | Bluetooth  |                            |                            |

**Emergency**

E Maintained 3hr Emergency  
ES Maintained 3hr Self Test

Project Ref: \_\_\_\_\_

Location Ref: \_\_\_\_\_



| Housing Dimensions |        |        |        |       |            |
|--------------------|--------|--------|--------|-------|------------|
| H                  | L      | L1     | L2     | W     | W1         |
| 6.75"              | 11.75" | 14.95" | 15.35" | 8.75" | 14" to 24" |

Tray Order Code:

LH-M2-6.75 - NIC - [ ] - LED51 - [ ] - [ ] - [ ]

Housing Type

LH-M2-6.75 Lucent Twin Housing 6.75"

Housing Type

NIC Non-Insulated Ceiling

Mounting Hardware

- 09 9" to 15.25"
- 14 14" to 24"
- 36 28" to 36"
- BB Butterfly Bracket
- CB Caterpillar Bracket

LED

LED51 LED51 Range

Supply Voltage

- 120 120V
- 277 277V

Protocol

- S Non-Dimmable
- P TRIAC/Phase (120V ONLY)
- LP Lutron Forward Phase 2-Wire (120V ONLY)
- ESS EcoSystem 5-Series 5%
- LHE EcoSystem Hi-Lume 1% Fade to Black
- LAE Lutron 3-Wire Hi-Lume 1%
- A Analog (0-10V)
- ED EldoLED DALI (Not Available for LED51WD)
- EA EldoLED Analog (0-10V) (Not Available for LED51WD)
- B Bluetooth

BELOW PROTOCOL FOR LED51TW

- A2 Analogue (0-10V) 2-Channel
- D6 DALI Type 6\*\*
- D8 DALI Type 8\*\*
- L Lutron (Consult Factory)

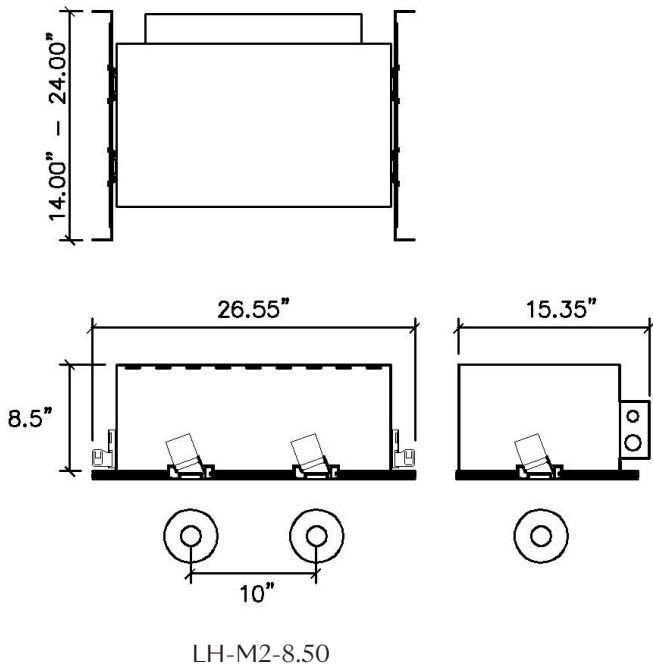
Emergency

- E Maintained 3hr Emergency
- ES Maintained 3hr Self Test



Project Ref: \_\_\_\_\_

Location Ref: \_\_\_\_\_



| Housing Dimensions |        |        |        |        |            |
|--------------------|--------|--------|--------|--------|------------|
| H                  | L      | L1     | L2     | W      | W1         |
| 8.50"              | 15.75" | 18.95" | 19.30" | 12.00" | 14" to 24" |

Tray Order Code:

- 
  - 
  - 
  - 
  - 
  -

Housing Type

LH-M2-8.50 Lucent Twin Housing 8.50"

Housing Type

NIC Non-Insulated Ceiling  
 IC Insulated Ceiling  
 AT Airtight Ceiling, CCEA

Mounting Hardware

09 9" to 15.25"  
 14 14" to 24"  
 36 28" to 36"  
 BB Butterfly Bracket  
 CB Caterpillar Bracket

LED

LED51 LED51 Range

Supply Voltage

120 120V  
 277 277V

Protocol

|     |  |                            |                            |
|-----|--|----------------------------|----------------------------|
| S   | Non-Dimmable                                       | BELOW PROTOCOL FOR LED51TW |                            |
| P   | TRIAC/Phase (120V ONLY)                            | A2                         | Analogue (0-10V) 2-Channel |
| LP  | Lutron Forward Phase 2-Wire (120V ONLY)            | D6                         | DALI Type 6**              |
| ESS | EcoSystem 5-Series 5%                              | D8                         | DALI Type 8**              |
| LHE | EcoSystem Hi-Lume 1% Fade to Black                 | L                          | Lutron (Consult Factory)   |
| LAE | Lutron 3-Wire Hi-Lume 1%                           |                            |                            |
| A   | Analog (0-10V)                                     |                            |                            |
| ED  | EldoLED DALI (Not Available for LED51WD)           |                            |                            |
| EA  | EldoLED Analog (0-10V) (Not Available for LED51WD) |                            |                            |
| B   | Bluetooth  |                            |                            |

Emergency

E Maintained 3hr Emergency  
 ES Maintained 3hr Self Test