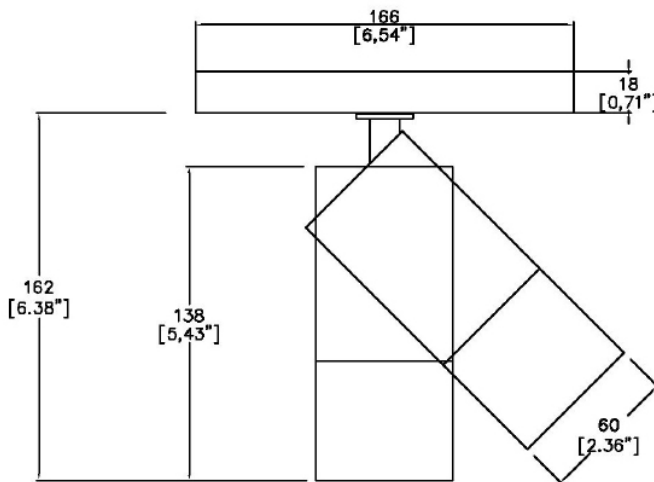


# TubeLED Mini SuperSpot Low Voltage Track Adaptor



TubeLED consists of the Nano, Micro, Mini and Midi versions giving a wide range of fixing options, light outputs and beam angles. TubeLED Mini available as SuperSpot version with ultra narrow beam option. TubeLED Mini and Midi available as high output versions. Can be installed in Mains Volt and Low Volt track or surface mounted options.



A7100SS-LED-LVTR

Driver Location	Integral to Track adaptor
LED Source	LED
CCT	3000K
Drive Current	1000mA
Supply Voltage	48V
Power inc Driver	14.5W
Beam Angle	7°
Delivered Lumens	722
Delivered Intensity cd	26123
Efficacy lm/w	59
Forward Volt	12.3V
CRI	≥90 CRI

Project Ref: \_\_\_\_\_

Location Ref: \_\_\_\_\_

Specify fixture part number (All boxes must be filled in to correctly order)

<b>A7100SS-LED</b>		<b>7</b>				<b>LVTR</b>	
--------------------	--	----------	--	--	--	-------------	--

CCT

<b>27</b>	2700K
<b>30</b>	3000K
<b>40</b>	4000K

Beam Angles

<b>7</b>	7
----------	---

Dimming Protocol

<b>S</b>	Non-Dim
<b>A</b>	Analogue (0-10V)
<b>D</b>	DALI

Color Insert

<b>SN</b>	Satin Nickel
<b>SG</b>	Satin Gold
<b>CP</b>	Copper
<b>BZ</b>	Bonze
<b>(Blank)</b>	Not required standard black to be supplied

Finish

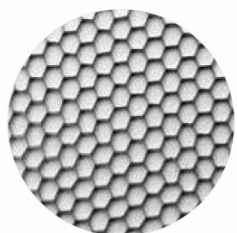
<b>WH</b>	White
<b>BK</b>	Black
<b>RAL</b>	Custom RAL Finish*

Fixing

<b>LVTR</b>	Low Voltage Track Adaptor
-------------	---------------------------

Louvre/Lens

<b>XX</b>	Not required
<b>LL45</b>	Honeycomb
<b>LLCC</b>	Warm Tone
<b>LLUV</b>	UV
<b>LLDF</b>	Solite/Diffusing
<b>LLFR</b>	Frosted Lens
<b>LLLS</b>	Linear Spread
<b>LLHS</b>	Heavy Spread



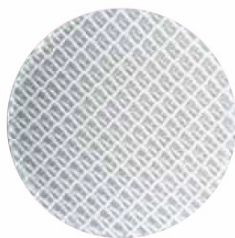
**Honeycomb Louvre (LL45)**



**Solite/Diffusing Lens (LLDF)**



**Frosted Lens (LLFR)**



**Heavy Spread Lens (LLHS)**



**Linear Spread Lens (LLLS)**



**Warm Tone (LLCC)**

.....

## Technical Details

\*Custom color requires a paint chip or RAL code and may increase price and lead-time

It is the responsibility of the specifier/integrator/installer to check and ensure compatibility of any control equipment used. Additional cabling may be required depending on the dimming protocol specified.

\*\*Bluetooth (wireless) is a communication protocol. The exact dimming protocol must be confirmed to allow the selection of suitable drivers or Bluetooth devices.

\*\*\*Non specific driver type, dimming performance depending on exact driver used. Contact Lucent Lighting for more information.

^ Depth indicated is the minimum recess depth for the luminaire with a remote mounted LED driver. Installing a driver through either the luminaire cut-out or installation kit may require additional recess depth, please refer to the relevant installation instructions prior to purchase.

First Fix Requirement. Luminaire comprised of fixture body with ceiling trim and installation kit, which is to be fitted into the ceiling once finished. Ensure correct alignment of the installation kit before final assembly (see luminaire installation instructions for details)

Location. Tested from underside of the ceiling.

Data correct at time of publishing. It is the policy of Lucent Lighting to continually review and improve its products and therefore reserve the right to change any details of product or withdraw specifications without prior notice.

This specification sheet supersedes all previous versions.

All intellectual property rights pertaining to the product described above and to this document are owned by or licensed to Lucent Lighting, Incorporated. Lucent Lighting reserves the right to take whatever action is necessary to protect its intellectual property, patents and trademarks

Please notify Lucent Lighting Inc. inaccuracies. E&OE

.....



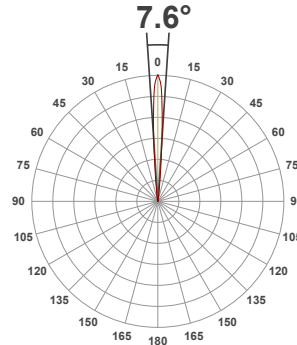
**Light efficiency:**



**Light quality:**



**Color temperature:**

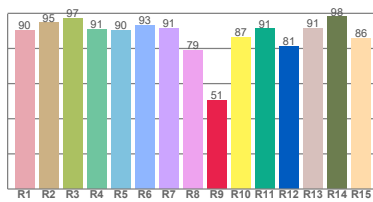


**Product name:**  
**TubeLED Mini SuperSpot, 3000K, 7°, 1000mA**  
**Item number:**  
**7100/SS-930-7-1000mA**

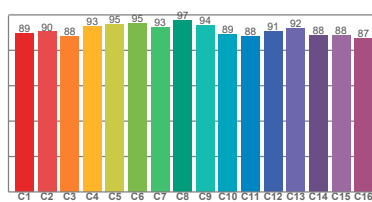
**Delivered information for above fixture and LED combination.**

**Output: 722 Lumen Peak intensity: 26123 cd Power consumption: 12.3W**

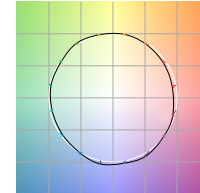
**CRI R values**



**TM30 C Values**

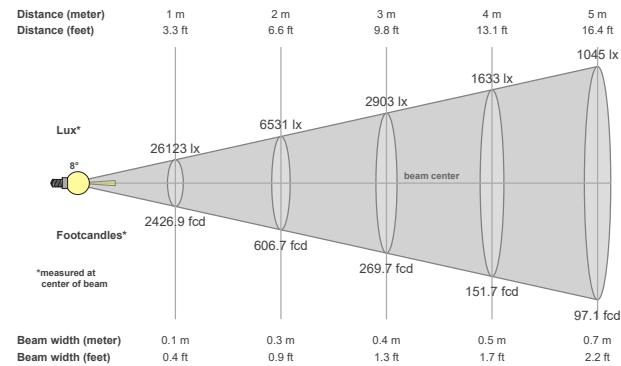


**Color vector graphics**



Color temperature	Color rendering index	Red component	Color fidelity	Color gamut	Color quality scale	Color coordinate cie 1931	Color coordinate cie 1931	Color coordinate	Color coordinate	Color deviation from black body
CCT	CRI	CRI R9	TM30 Rf	TM30 Rg	CQS	x	y	u	v	Δuv
<b>3069 K</b>	<b>90.9</b>	<b>50.7</b>	<b>91.2</b>	<b>99.0</b>	<b>89.5</b>	<b>0.433</b>	<b>0.403</b>	<b>0.248</b>	<b>0.347</b>	<b>0.0003</b>

**Beam details**



**Beam angels**

Beam angle 50%	Field angle 10%	Cutoff angle 2,5%
<b>7.6°</b>	<b>13.5°</b>	<b>20.9°</b>

**Beam intensities**

Peak intensity	Int. ratio in 120° cone	Int. ratio in 90° cone
<b>26123 cd</b>	<b>95.0%</b>	<b>93.6%</b>

**Beam intensities from 1-20m**

1m	2m	3m	4m	5m	6m	7m	8m	9m	10m	11m	12m	13m	14m	15m	16m	17m	18m	19m	20m
3.3ft	6.6ft	9.8ft	13.1ft	16.4ft	19.7ft	23ft	26.2ft	29.5ft	32.8ft	36.1ft	39.4ft	42.7ft	45.9ft	49.2ft	52.5ft	55.8ft	59.1ft	62.3ft	65.6ft
26123lx	6531lx	2903lx	1633lx	1045lx	726lx	533lx	408lx	323lx	261lx	216lx	181lx	155lx	133lx	116lx	102lx	90lx	81lx	72lx	65lx
2426.9fcd	606.7fcd	269.7fcd	151.7fcd	97.1fcd	67.4fcd	49.5fcd	37.9fcd	30fcd	24.3fcd	20.1fcd	16.9fcd	14.4fcd	12.4fcd	10.8fcd	9.5fcd	8.4fcd	7.5fcd	6.7fcd	6.1fcd

The above information is for 3000K colour temperature, for specific module information please see LED spec located on our website

For information regarding other colour temperatures please use the following factors for lumen output and candelas:

2700K = 0.9