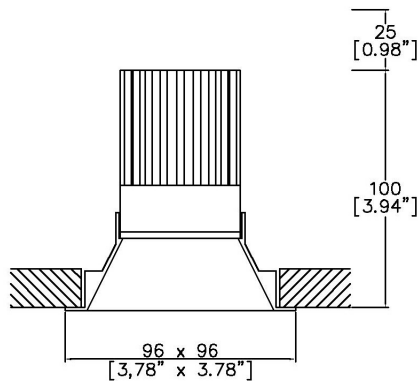


# Trim Square Fixed



Trim (Round and Square) provides high performance electronics and architectural aesthetics in 3.8" and 3.8" x 3.8" trim. Trim products include adjustable, fixed and wallwash with flange. Tray, retrofit and housing installation methods (NIC, IC, AT, T24 and CCEA) Lucent modules available in a wide range of color temperatures, beam angles, intensities, and effects (Ambiance WarmDim and Dynamic Tuneable White). MR16 and GU10 LED lamp options available. TRIAC/Phase, 0-10v/1-10v, DMX and DALI/Digital dimming.



A960-LED-SQ  
Cut-out 3.29"x3.29"  
(83.5x83.5mm)

LED Source	LED5ISS
CCT	3000K
Drive Current	500mA
Power inc Driver	6.75W
Beam Angle	7°
Delivered Lumens	465
Delivered Intensity cd	19643
Efficacy lm/w	69
Forward Volt	11.5V
CRI	≥90 CRI

Project Ref: \_\_\_\_\_

Location Ref: \_\_\_\_\_

Specify fixture part number (All boxes must be filled in to correctly order)

A960-LED-SQ [ ] [ ] [ ] LED5ISS [ ] 7 [ ] [ ] [ ] [ ] [ ] [ ] [ ] [ ]

- Finish**
- WH White
  - BK Black
- Location**
- XX Dry
  - DP Damp
  - WT Wet
- Ceiling Thickness**
- SC Standard Ceiling (1/2"-5/8"-3/4")
  - C Custom

**LED Type**

LED5ISS LED5ISS (90CRI)

- CCT**
- 27 2700K
  - 30 3000K
  - 35 3500K
  - 40 4000K

- Beam Angles**
- 7 7

- Housing/Tray**
- LMT-13-NIC Mounting Tray Non-Insulated ceilings
  - LH-6.75-NIC Housing 6.75" Non-Insulated ceilings
  - LH-8.50-AT/IC Housing 8.50" Insulated/Air-tight ceilings and Chicago Plenum

- Mounting Hardware**
- 09 9" to 15.25" - Adjustable Bar Hanger Lengths
  - 14 14" to 24" - Adjustable Bar Hanger Lengths
  - 36 28" to 36" - Adjustable Bar Hanger Lengths
  - BB Butterfly Bracket
  - CB Caterpillar Bracket

- Supply Voltage**
- 120 120V
  - 277 277V

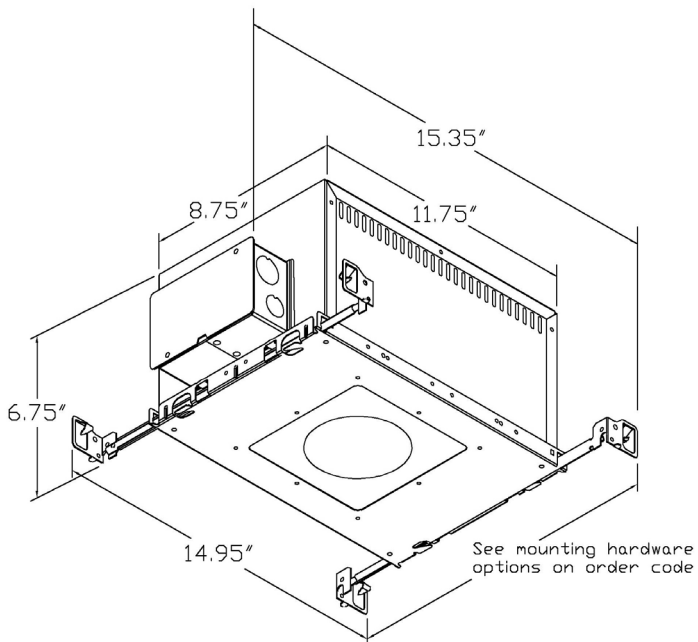
- Dimming Protocol**
- S Non-Dimmable
  - P TRIAC/Phase (120V ONLY) (25-10% Minimum Dimming)\*\*\*
  - LP Lutron Forward Phase 2-Wire (1% Dimming) (120V ONLY)
  - ESS EcoSystem 5-Series (5% Dimming)
  - LHE EcoSystem Hi-Lume Fade to Black (1% Dimming)
  - LAE Lutron 3-Wire Hi-Lume (1% Dimming)
  - LHP Lutron Hi-Lume Premier EcoSystem (0.1% Dimming)
  - A 0-10V (15-5% Minimum Dimming)\*\*\*
  - ESD EldoLED Solo DALI2 (0.1% Dimming)
  - EED EldoLED Eco DALI2 (1% Dimming)
  - ESA EldoLED Solo 0-10V/1-10V (0.1% Dimming)
  - EEA EldoLED Eco 0-10V/1-10V (1% Dimming)
  - B Bluetooth\*\*

- Emergency**
- E 3hr Emergency
  - ES 3hr Self Test

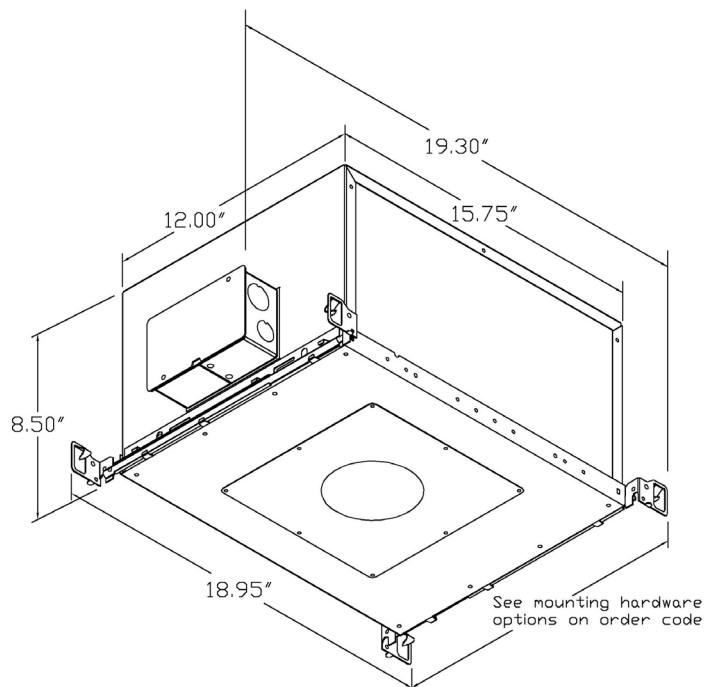
- Louvre/Lens**
- XX Not required
  - LL45 Honeycomb
  - LLCC Warm Tone
  - LLUV UV
  - LLDF Solite/Diffusing
  - LLFR Frosted Lens
  - LLLS Linear Spread
  - LLHS Heavy Spread

\*Refer to Technical Details for more information

## Housing dimensions

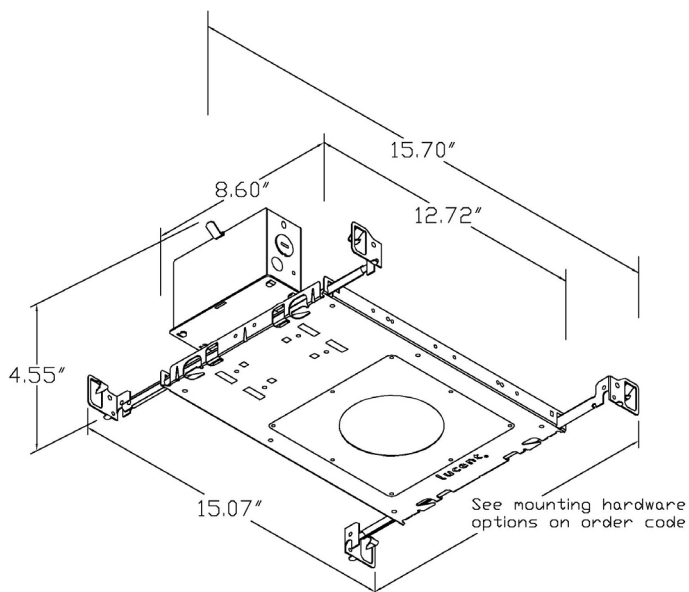


LH-6.75  
Non-insulated ceilings

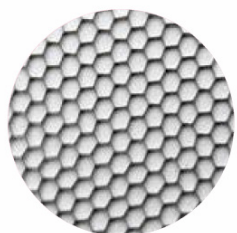


LH-8.50  
Insulated/air-tight ceilings and  
Chicago Plenum

## Tray dimensions



LMT-13  
Non-insulated ceilings



**Honeycomb Louvre (LL45)**



**Solite/Diffusing Lens (LLDF)**



**Frosted Lens (LLFR)**



**Heavy Spread Lens (LLHS)**



**Linear Spread Lens (LLLS)**



**Warm Tone (LLCC)**

.....

## Technical Details

\*Custom color requires a paint chip or RAL code and may increase price and lead-time

It is the responsibility of the specifier/integrator/installer to check and ensure compatibility of any control equipment used. Additional cabling may be required depending on the dimming protocol specified.

\*\*Bluetooth (wireless) is a communication protocol. The exact dimming protocol must be confirmed to allow the selection of suitable drivers or Bluetooth devices.

\*\*\*Non specific driver type, dimming performance depending on exact driver used. Contact Lucent Lighting for more information.

^ Depth indicated is the minimum recess depth for the luminaire with a remote mounted LED driver. Installing a driver through either the luminaire cut-out or installation kit may require additional recess depth, please refer to the relevant installation instructions prior to purchase.

First Fix Requirement. Luminaire comprised of fixture body with ceiling trim and installation kit, which is to be fitted into the ceiling once finished. Ensure correct alignment of the installation kit before final assembly (see luminaire installation instructions for details)

Location. Tested from underside of the ceiling.

Data correct at time of publishing. It is the policy of Lucent Lighting to continually review and improve its products and therefore reserve the right to change any details of product or withdraw specifications without prior notice.

This specification sheet supersedes all previous versions.

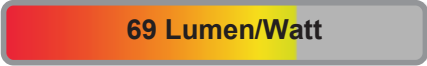
All intellectual property rights pertaining to the product described above and to this document are owned by or licensed to Lucent Lighting, Incorporated. Lucent Lighting reserves the right to take whatever action is necessary to protect its intellectual property, patents and trademarks

Please notify Lucent Lighting Inc. inaccuracies. E&OE

.....



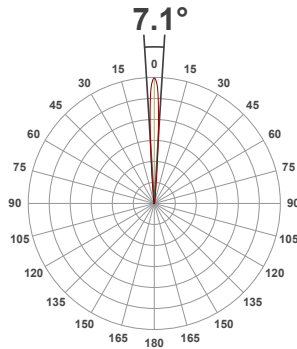
**Light efficiency:**



**Light quality:**



**Color temperature:**



**Product name:**

**Trim Square Fixed/Accent - LED51 SuperSpot, 3000K, 7°, 500mA**

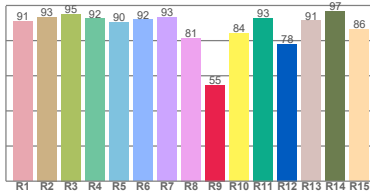
**Item number:**

**A960/963-SQ - LED51SS-30-7-500mA**

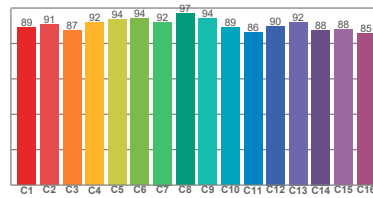
**Delivered information for above fixture and LED combination.**

**Output: 465 Lumen Peak intensity: 19643 cd Power consumption: 6.7**

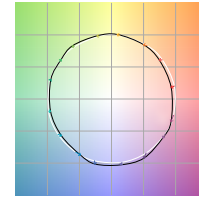
**CRI R values**



**TM30 C Values**

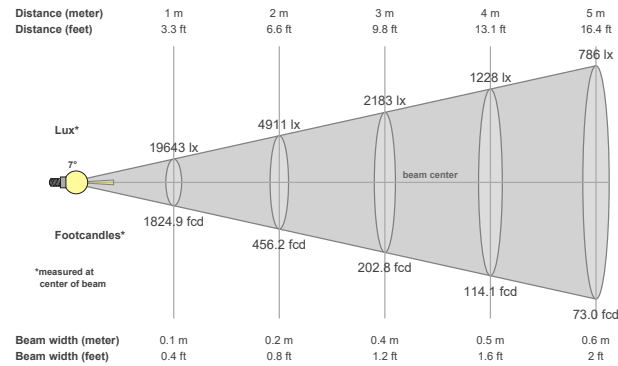


**Color vector graphics**



Color temperature	Color rendering index	Red component	Color fidelity	Color gamut	Color quality scale	Color coordinate cie 1931	Color coordinate cie 1931	Color coordinate	Color coordinate	Color division from black body
CCT	CRI	CRI R9	TM30 Rf	TM30 Rg	CQS	x	y	u	v	Δuv
3000 K	91.1	54.8	90.5	99.6	90.2	0.437	0.404	0.248	0.349	0.0020

**Beam details**



**Beam angles**

Beam angle 50%	Field angle 10%	Cutoff angle 2,5%
7.1°	12.4°	20.1°

**Beam intensities**

Peak intensity	Int. ratio in 120° cone	Int. ratio in 90° cone
19643 cd	96.3%	95.8%

**Beam intensities from 1-20m**

1m	2m	3m	4m	5m	6m	7m	8m	9m	10m	11m	12m	13m	14m	15m	16m	17m	18m	19m	20m
3.3ft	6.6ft	9.8ft	13.1ft	16.4ft	19.7ft	23ft	26.2ft	29.5ft	32.8ft	36.1ft	39.4ft	42.7ft	45.9ft	49.2ft	52.5ft	55.8ft	59.1ft	62.3ft	65.6ft
19643lx	4911lx	2183lx	1228lx	786lx	546lx	401lx	307lx	243lx	196lx	162lx	136lx	116lx	100lx	87lx	77lx	68lx	61lx	54lx	49lx
1824.9fcd	456.2fcd	202.8fcd	114.1fcd	73fcd	50.7fcd	37.2fcd	28.5fcd	22.5fcd	18.2fcd	15.1fcd	12.7fcd	10.8fcd	9.3fcd	8.1fcd	7.1fcd	6.3fcd	5.6fcd	5.1fcd	4.6fcd

The above information is for 3000K colour temperature, for specific module information please see LED spec located on our website

For information regarding other colour temperatures please use the following factors for lumen output and candelas:

2700K = 1  
4000K = 1.084