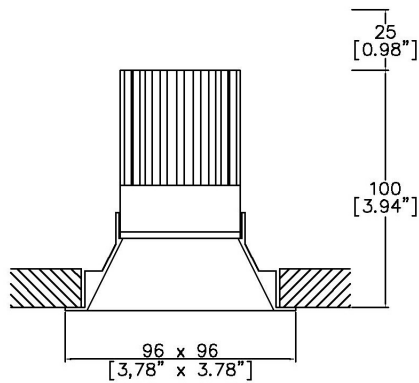


# Trim Square Fixed



Trim (Round and Square) provides high performance electronics and architectural aesthetics in 3.8” and 3.8” x 3.8” trim. Trim products include adjustable, fixed and wallwash with flange. Tray, retrofit and housing installation methods (NIC, IC, AT, T24 and CCEA) Lucent modules available in a wide range of color temperatures, beam angles, intensities, and effects (Ambiance WarmDim and Dynamic Tuneable White). MR16 and GU10 LED lamp options available. TRIAC/Phase, 0-10v/1-10v, DMX and DALI/Digital dimming.



A960-LED-SQ  
Cut-out 3.29”x3.29”  
(83.5x83.5mm)

LED Source	LED51/2	LED51/2	LED51/2	LED51/2	LED51/U	LED51/U	LED51/U	LED51/U
CCT	3000K	3000K	3000K	3000K	3000K	3000K	3000K	3000K
Drive Current	350mA	350mA	350mA	350mA	350mA	350mA	350mA	350mA
Power inc Driver	13.6W	13.6W	13.6W	13.6W	13.6W	13.6W	13.6W	13.6W
Beam Angle	12°	24°	38°	55°	12°	24°	38°	55°
Delivered Lumens	864	903	1010	1124	854	803	924	940
Delivered Intensisty cd	11731	4430	3035	1229	11569	4087	2298	1040
Efficacy lm/w	64	66	74	83	63	59	68	69
Forward Volt	33V	33V	33V	33V	33V	33V	33V	33V
CRI	≥90 CRI	≥90 CRI	≥90 CRI	≥90 CRI	≥98 CRI	≥98 CRI	≥98 CRI	≥98 CRI

Project Ref: \_\_\_\_\_

Location Ref: \_\_\_\_\_

Specify fixture part number (All boxes must be filled in to correctly order)

A960-LED-SQ																	
Finish		Location		LED Type		CCT		Beam Angles		Housing/Tray		Mounting Hardware		Supply Voltage		Dimming Protocol	
WH	White	XX	Dry	LED51/2	LED51/2 (90CRI)	27	2700K	12	12	LMT-13-NIC	Mounting Tray Non-Insulated ceilings	09	9" to 15.25" - Adjustable Bar Hanger Lengths	120	120V	S	Non-Dimmable
BK	Black	DP	Damp	LED51/U	LED51/U (98CRI)	30	3000K	24	24	LH-6.75-NIC	Housing 6.75" Non-Insulated ceilings	14	14" to 24" - Adjustable Bar Hanger Lengths	277	277V	P	TRIAC/Phase (120V ONLY) (25-10% Minimum Dimming)***
		WT	Wet			35	3500K	38	38	LH-8.50-AT/IC	Housing 8.50" Insulated/Air-tight ceilings and Chicago Plenum	36	28" to 36" - Adjustable Bar Hanger Lengths			LP	Lutron Forward Phase 2-Wire (1% Dimming) (120V ONLY)
		SC	Standard Ceiling (1/2"-5/8"-3/4")			40	4000K (90 CRI ONLY)	55	55			BB	Butterfly Bracket			ESS	EcoSystem 5-Series (5% Dimming)
		C	Custom									CB	Caterpillar Bracket			LHE	EcoSystem Hi-Lume Fade to Black (1% Dimming)
																LAE	Lutron 3-Wire Hi-Lume (1% Dimming)
																LHP	Lutron Hi-Lume Premier EcoSystem (0.1% Dimming)
																A	0-10V (15-5% Minimum Dimming)***
																ESD	EldoLED Solo DALI2 (0.1% Dimming)
																EED	EldoLED Eco DALI2 (1% Dimming)
																ESA	EldoLED Solo 0-10V/1-10V (0.1% Dimming)
																EEA	EldoLED Eco 0-10V/1-10V (1% Dimming)
																B	Bluetooth**

Emergency  
**E** 3hr Emergency  
**ES** 3hr Self Test

Louvre/Lens  
**XX** Not required  
**LL45** Honeycomb  
**LLCC** Warm Tone  
**LLUV** UV  
**LLDF** Solite/Diffusing  
**LLFR** Frosted Lens  
**LLLS** Linear Spread  
**LLHS** Heavy Spread

\*Refer to Technical Details for more information

## Housing dimensions



LH-6.75  
Non-insulated ceilings

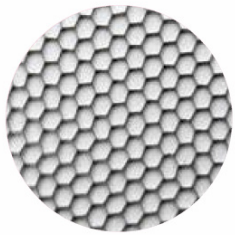


LH-8.50  
Insulated/air-tight ceilings and  
Chicago Plenum

## Tray dimensions



LMT-13  
Non-insulated ceilings



**Honeycomb Louvre (LL45)**



**Solite/Diffusing Lens (LLDF)**



**Frosted Lens (LLFR)**



**Heavy Spread Lens (LLHS)**



**Linear Spread Lens (LLLS)**



**Warm Tone (LLCC)**

.....  
**Technical Details**

\*Custom color requires a paint chip or RAL code and may increase price and lead-time

It is the responsibility of the specifier/integrator/installer to check and ensure compatibility of any control equipment used. Additional cabling may be required depending on the dimming protocol specified.

\*\*Bluetooth (wireless) is a communication protocol. The exact dimming protocol must be confirmed to allow the selection of suitable drivers or Bluetooth devices.

\*\*\*Non specific driver type, dimming performance depending on exact driver used. Contact Lucent Lighting for more information.

^ Depth indicated is the minimum recess depth for the luminaire with a remote mounted LED driver. Installing a driver through either the luminaire cut-out or installation kit may require additional recess depth, please refer to the relevant installation instructions prior to purchase.

First Fix Requirement. Luminaire comprised of fixture body with ceiling trim and installation kit, which is to be fitted into the ceiling once finished. Ensure correct alignment of the installation kit before final assembly (see luminaire installation instructions for details)

Location. Tested from underside of the ceiling.

Data correct at time of publishing. It is the policy of Lucent Lighting to continually review and improve its products and therefore reserve the right to change any details of product or withdraw specifications without prior notice.

This specification sheet supersedes all previous versions.

All intellectual property rights pertaining to the product described above and to this document are owned by or licensed to Lucent Lighting, Incorporated. Lucent Lighting reserves the right to take whatever action is necessary to protect its intellectual property, patents and trademarks

Please notify Lucent Lighting Inc. inaccuracies. E&OE

.....



## Light efficiency:

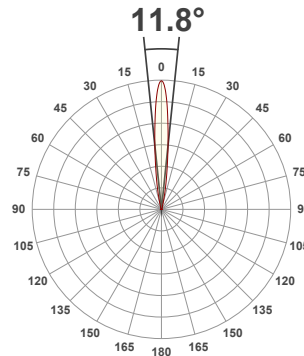
**64 Lumen/Watt**

## Light quality:

**CRI: 90.6**

## Color temperature:

**3000 K**



## Product name:

**Trim Square Fixed/Accent - LED50 ONE GEN2, 3000K, 12°, 350mA**

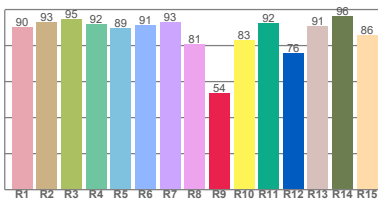
## Item number:

**A960/963-SQ - LED51/2-30-12-350mA**

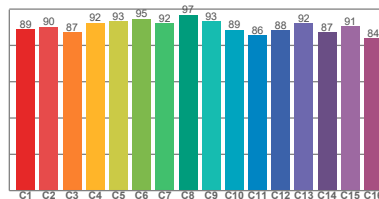
**Delivered information for above fixture and LED combination.**

**Output: 864 Lumen Peak intensity: 11731 cd Power consumption: 13.6**

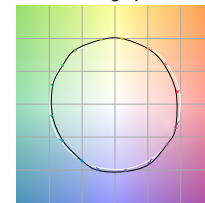
### CRI R values



### TM30 C Values

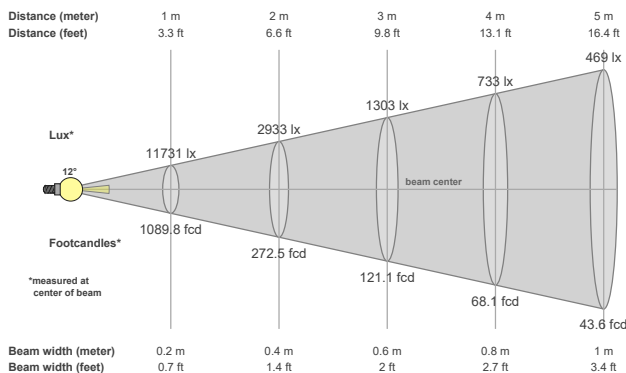


### Color vector graphics



Color temperature	Color rendering Index	Red component	Color fidelity	Color gamut	Color quality scale	Color coordinate cie 1931	Color coordinate cie 1931	Color coordinate	Color coordinate	Color deviation from black body
CCT	CRI	CRI R9	TM30 Rf	TM30 Rg	CQS	x	y	u	v	Δuv
3000 K	90.6	53.8	90.2	99.0	89.9	0.437	0.404	0.250	0.350	0.0027

### Beam details



### Beam angles

Beam angle 50%	Field angle 10%	Cutoff angle 2,5%
11.8°	24.8°	38.6°

### Beam intensities

Peak intensity	Int. ratio in 120° cone	Int. ratio in 90° cone
11731 cd	98.4%	97.5%

### Beam intensities from 1-20m

1m	2m	3m	4m	5m	6m	7m	8m	9m	10m	11m	12m	13m	14m	15m	16m	17m	18m	19m	20m
3.3ft	6.6ft	9.8ft	13.1ft	16.4ft	19.7ft	23ft	26.2ft	29.5ft	32.8ft	36.1ft	39.4ft	42.7ft	45.9ft	49.2ft	52.5ft	55.8ft	59.1ft	62.3ft	65.6ft
11731lx	2933lx	1303lx	733lx	469lx	326lx	239lx	183lx	145lx	117lx	97lx	81lx	69lx	60lx	52lx	46lx	41lx	36lx	32lx	29lx
1089.8fcd	272.5fcd	121.1fcd	68.1fcd	43.6fcd	30.3fcd	22.2fcd	17fcd	13.5fcd	10.9fcd	9fcd	7.6fcd	6.4fcd	5.6fcd	4.8fcd	4.3fcd	3.8fcd	3.4fcd	3fcd	2.7fcd

The above information is for 3000K colour temperature, for specific module information please see LED spec located on our website

For information regarding other colour temperatures please use the following factors for lumen output and candelas:

2700K = 1

4000K = 1.084

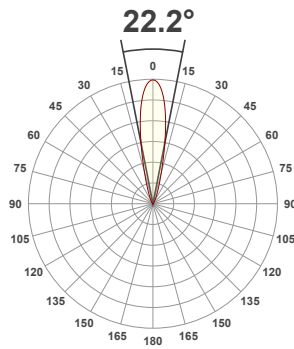
**Light efficiency:**



**Light quality:**



**Color temperature:**



**Product name:**

**Trim Square Fixed/Accent - LED50 ONE GEN2, 3000K, 24°, 350mA**

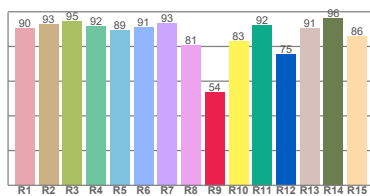
**Item number:**

**A960/963-SQ - LED51/2-30-24-350mA**

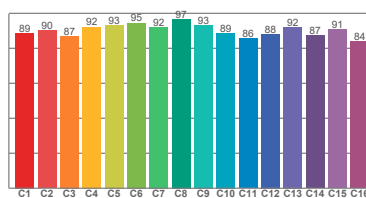
**Delivered information for above fixture and LED combination.**

**Output: 903 Lumen Peak intensity: 4430 cd Power consumption: 13.6**

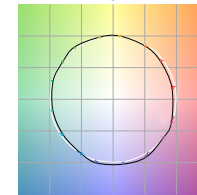
**CRI R values**



**TM30 C Values**

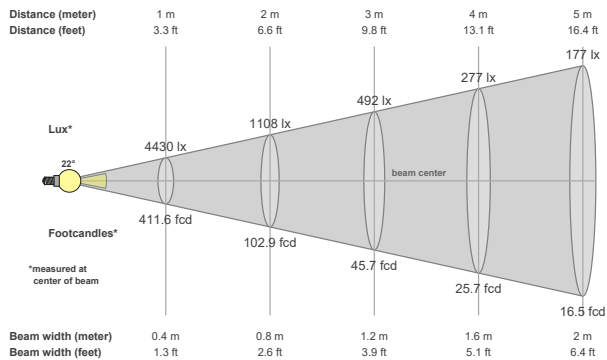


**Color vector graphics**



Color temperature	Color rendering index	Red component	Color fidelity	Color gamut	Color quality scale	Color coordinate cie 1931	Color coordinate cie 1931	Color coordinate	Color coordinate	Color deviation from black body
CCT	CRI	CRI R9	TM30 Rf	TM30 Rg	CQS	x	y	u	v	Δuv
3000 K	90.6	53.7	90.1	99.0	89.8	0.437	0.404	0.250	0.350	0.0027

**Beam details**



**Beam angles**

Beam angle 50%	Field angle 10%	Cutoff angle 2,5%
22.2°	42.4°	65.6°

**Beam intensities**

Peak intensity	Int. ratio in 120° cone	Int. ratio in 90° cone
4430 cd	98.7%	96.9%

**Beam intensities from 1-20m**

1m	2m	3m	4m	5m	6m	7m	8m	9m	10m	11m	12m	13m	14m	15m	16m	17m	18m	19m	20m
3.3ft	6.6ft	9.8ft	13.1ft	16.4ft	19.7ft	23ft	26.2ft	29.5ft	32.8ft	36.1ft	39.4ft	42.7ft	45.9ft	49.2ft	52.5ft	55.8ft	59.1ft	62.3ft	65.6ft
4430lx	1108lx	492lx	277lx	177lx	123lx	90lx	69lx	55lx	44lx	37lx	31lx	26lx	23lx	20lx	17lx	15lx	14lx	12lx	11lx
411.6fcd	102.9fcd	45.7fcd	25.7fcd	16.5fcd	11.4fcd	8.4fcd	6.4fcd	5.1fcd	4.1fcd	3.4fcd	2.9fcd	2.4fcd	2.1fcd	1.8fcd	1.6fcd	1.4fcd	1.3fcd	1.1fcd	1fcd

The above information is for 3000K colour temperature, for specific module information please see LED spec located on our website

For information regarding other colour temperatures please use the following factors for lumen output and candelas:

2700K = 1

4000K = 1.084

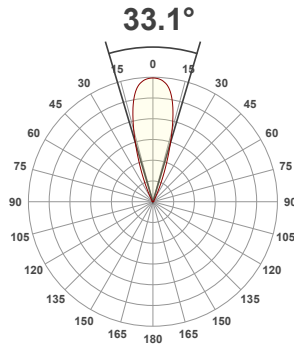
**Light efficiency:**



**Light quality:**



**Color temperature:**



**Product name:**

**Trim Square Fixed/Accent - LED50 ONE GEN2, 3000K, 38°, 350mA**

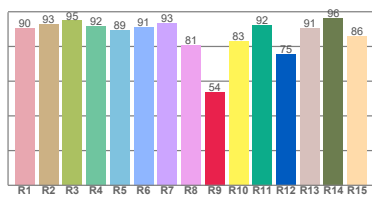
**Item number:**

**A960/963-SQ - LED51/2-30-38-350mA**

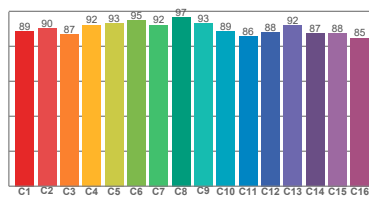
**Delivered information for above fixture and LED combination.**

**Output: 1010 Lumen    Peak intensity: 3035 cd    Power consumption: 13.6**

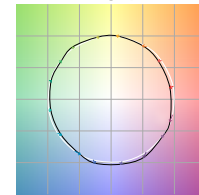
**CRI R values**



**TM30 C Values**

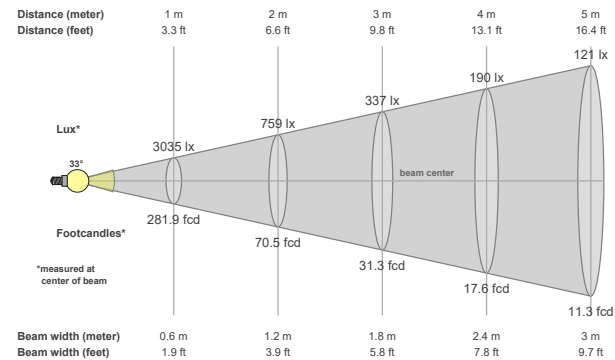


**Color vector graphics**



Color temperature	Color rendering index	Red component	Color fidelity	Color gamut	Color quality scale	Color coordinate cie 1931	Color coordinate cie 1931	Color coordinate	Color coordinate	Color deviation from black body
CCT	CRI	CRI R9	TM30 Rf	TM30 Rg	CQS	x	y	u	v	Δuv
3000 K	90.6	53.6	90.1	99.1	89.8	0.437	0.404	0.250	0.350	0.0026

**Beam details**



**Beam angles**

Beam angle 50%	Field angle 10%	Cutoff angle 2,5%
33.1°	50.8°	68.5°

**Beam intensities**

Peak intensity	Int. ratio in 120° cone	Int. ratio in 90° cone
3035 cd	98.8%	97.5%

**Beam intensities from 1-20m**

1m	2m	3m	4m	5m	6m	7m	8m	9m	10m	11m	12m	13m	14m	15m	16m	17m	18m	19m	20m
3.3ft	6.6ft	9.8ft	13.1ft	16.4ft	19.7ft	23ft	26.2ft	29.5ft	32.8ft	36.1ft	39.4ft	42.7ft	45.9ft	49.2ft	52.5ft	55.8ft	59.1ft	62.3ft	65.6ft
3035lx	759lx	337lx	190lx	121lx	84lx	62lx	47lx	37lx	30lx	25lx	21lx	18lx	15lx	13lx	12lx	11lx	9lx	8lx	8lx
281.9fcd	70.5fcd	31.3fcd	17.6fcd	11.3fcd	7.8fcd	5.8fcd	4.4fcd	3.5fcd	2.8fcd	2.3fcd	2fcd	1.7fcd	1.4fcd	1.3fcd	1.1fcd	1fcd	0.9fcd	0.8fcd	0.7fcd

The above information is for 3000K colour temperature, for specific module information please see LED spec located on our website

For information regarding other colour temperatures please use the following factors for lumen output and candelas:

2700K = 1  
4000K = 1.084

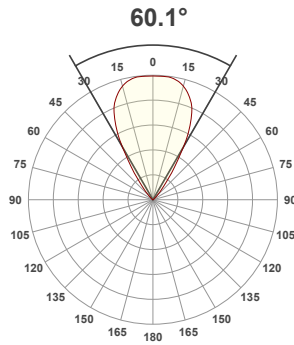
Light efficiency:



Light quality:



Color temperature:



Product name:

Trim Square Fixed/Accent - LED50 ONE GEN2, 3000K, 55°, 350mA

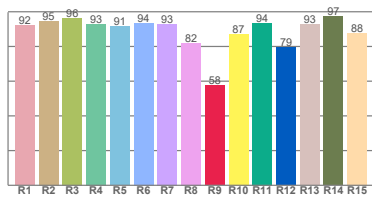
Item number:

A960/963-SQ - LED51/2-30-55-350mA

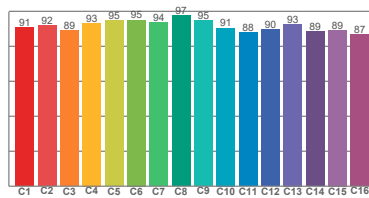
Delivered information for above fixture and LED combination.

Output: 1124 Lumen Peak intensity: 1229 cd Power consumption: 13.6

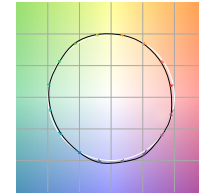
CRI R values



TM30 C Values

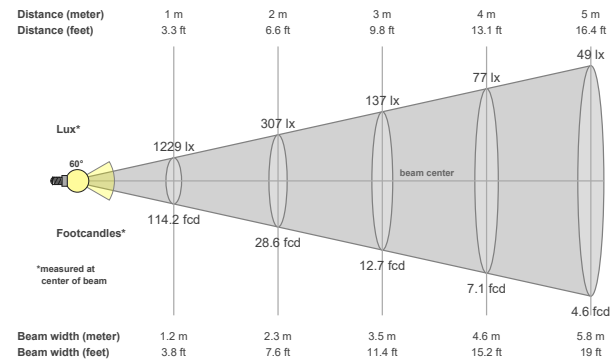


Color vector graphics



Color temperature	Color rendering index	Red component	Color fidelity	Color gamut	Color quality scale	Color coordinate cie 1931	Color coordinate cie 1931	Color coordinate	Color coordinate	Color deviation from black body
CCT	CRI	CRI R9	TM30 Rf	TM30 Rg	CQS	x	y	u	v	Δuv
3000 K	92.0	57.5	91.6	99.7	90.5	0.437	0.404	0.251	0.348	0.0008

Beam details



Beam angles

Beam angle 50%	Field angle 10%	Cutoff angle 2,5%
60.1°	82.1°	97.6°

Beam intensities

Peak intensity	Int. ratio in 120° cone	Int. ratio in 90° cone
1229 cd	99.1%	96.4%

Beam intensities from 1-20m

1m	2m	3m	4m	5m	6m	7m	8m	9m	10m	11m	12m	13m	14m	15m	16m	17m	18m	19m	20m
3.3ft	6.6ft	9.8ft	13.1ft	16.4ft	19.7ft	23ft	26.2ft	29.5ft	32.8ft	36.1ft	39.4ft	42.7ft	45.9ft	49.2ft	52.5ft	55.8ft	59.1ft	62.3ft	65.6ft
1229lx	307lx	137lx	77lx	49lx	34lx	25lx	19lx	15lx	12lx	10lx	9lx	7lx	6lx	5lx	5lx	4lx	4lx	3lx	3lx
114.2fcd	28.6fcd	12.7fcd	7.1fcd	4.6fcd	3.2fcd	2.3fcd	1.8fcd	1.4fcd	1.1fcd	0.9fcd	0.8fcd	0.7fcd	0.6fcd	0.5fcd	0.4fcd	0.4fcd	0.4fcd	0.3fcd	0.3fcd

The above information is for 3000K colour temperature, for specific module information please see LED spec located on our website

For information regarding other colour temperatures please use the following factors for lumen output and candelas:

2700K = 1

4000K = 1.084



Light efficiency:

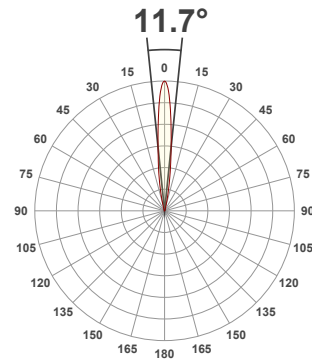
**63 Lumen/Watt**

Light quality:

**CRI: 97.8**

Color temperature:

**3000 K**



Product name:

**A960\_963-LED-SQ - LED51\_U-30-12-350mA**

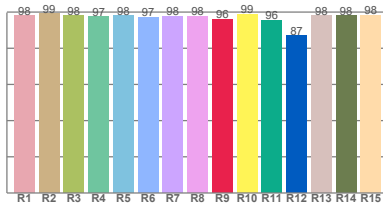
Item number:

**Trim Square Fixed\_Accent - LED51\_U-30-12-350mA**

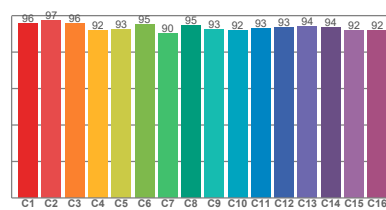
Delivered information for above fixture and LED combination.

Output: 854 Lumen Peak intensity: 11569 cd Power consumption: 13.6

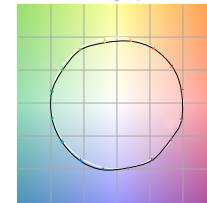
CRI R values



TM30 C Values

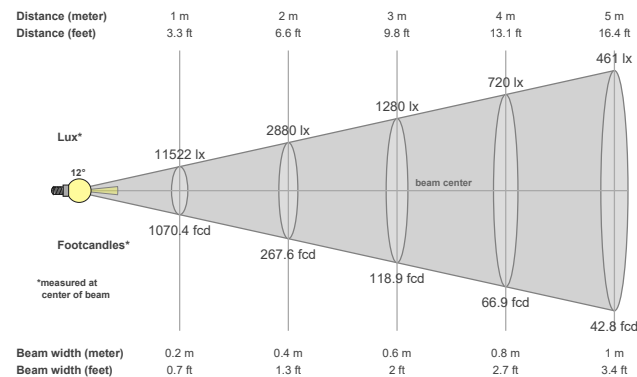


Color vector graphics



Color temperature	Color rendering index	Red component	Color fidelity	Color gamut	Color quality scale	Color coordinate cie 1931	Color coordinate cie 1931	Color coordinate	Color coordinate	Color deviation from black body
CCT	CRI	CRI R9	TM30 Rf	TM30 Rg	CQS	x	y	u	v	Δuv
3000 K	97.8	96.0	93.6	98.8	94.8	0.437	0.404	0.249	0.349	0.0015

## Beam details



## Beam angels

Beam angle 50%	Field angle 10%	Cutoff angle 2,5%
11.7°	25.4°	35.4°

## Beam intensities

Peak intensity	Int. ratio in 120° cone	Int. ratio in 90° cone
11569 cd	98.6%	96.4%

## Beam intensities from 1-20m

1m	2m	3m	4m	5m	6m	7m	8m	9m	10m	11m	12m	13m	14m	15m	16m	17m	18m	19m	20m
3.3ft	6.6ft	9.8ft	13.1ft	16.4ft	19.7ft	23ft	26.2ft	29.5ft	32.8ft	36.1ft	39.4ft	42.7ft	45.9ft	49.2ft	52.5ft	55.8ft	59.1ft	62.3ft	65.6ft
11522lx	2880lx	1280lx	720lx	461lx	320lx	235lx	180lx	142lx	115lx	95lx	80lx	68lx	59lx	51lx	45lx	40lx	36lx	32lx	29lx
1070.4fcd	267.6fcd	118.9fcd	66.9fcd	42.8fcd	29.7fcd	21.8fcd	16.7fcd	13.2fcd	10.7fcd	8.8fcd	7.4fcd	6.3fcd	5.5fcd	4.8fcd	4.2fcd	3.7fcd	3.3fcd	3fcd	2.7fcd

The above information is for 3000K colour temperature, for specific module information please see LED spec located on our website

For information regarding other colour temperatures please use the following factors for lumen output and candelas:

2700K = 1

Light efficiency:

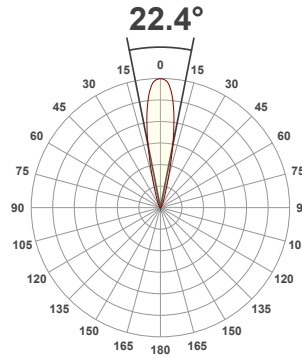
**59 Lumen/Watt**

Light quality:

**CRI: 97.7**

Color temperature:

**3000 K**



Product name:

**A960\_963-LED-SQ -  
LED51\_U-30-24-350mA**

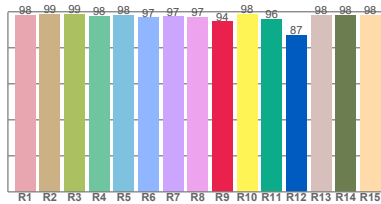
Item number:

**Trim Square Fixed\_Accent -  
LED51\_U-30-24-350mA**

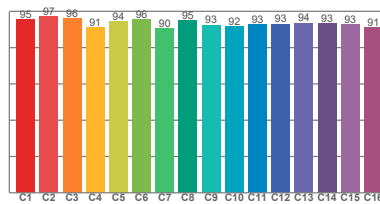
**Delivered information for above  
fixture and LED combination.**

**Output: 803 Lumen Peak intensity: 4087 cd Power consumption: 13.6**

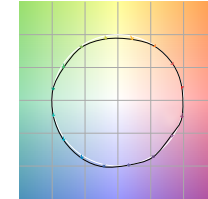
CRI R values



TM30 C Values

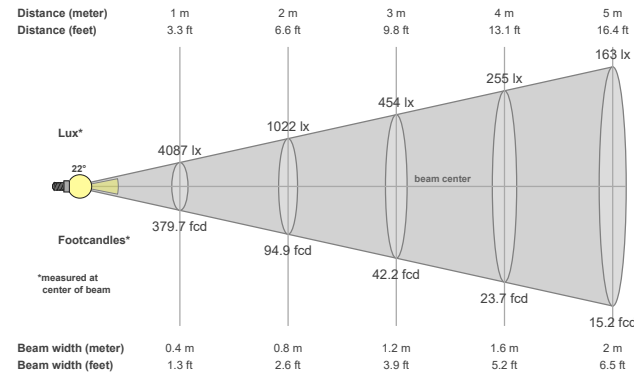


Color vector graphics



Color temperature	Color rendering index	Red component	Color fidelity	Color gamut	Color quality scale	Color coordinate cie 1931	Color coordinate cie 1931	Color coordinate	Color coordinate	Color deviation from black body
CCT	CRI	CRI R9	TM30 Rf	TM30 Rg	CQS	x	y	u	v	Δuv
3000 K	97.7	94.5	93.7	98.8	95.2	0.437	0.404	0.251	0.349	0.0008

**Beam details**



**Beam angles**

Beam angle 50%	Field angle 10%	Cutoff angle 2,5%
22.4°	39.9°	62.3°

**Beam intensities**

Peak intensity	Int. ratio in 120° cone	Int. ratio in 90° cone
4087 cd	98.8%	96.2%

**Beam intensities from 1-20m**

1m	2m	3m	4m	5m	6m	7m	8m	9m	10m	11m	12m	13m	14m	15m	16m	17m	18m	19m	20m
3.3ft	6.6ft	9.8ft	13.1ft	16.4ft	19.7ft	23ft	26.2ft	29.5ft	32.8ft	36.1ft	39.4ft	42.7ft	45.9ft	49.2ft	52.5ft	55.8ft	59.1ft	62.3ft	65.6ft
4087lx	1022lx	454lx	255lx	163lx	114lx	83lx	64lx	50lx	41lx	34lx	28lx	24lx	21lx	18lx	16lx	14lx	13lx	11lx	10lx
379.7fcd	94.9fcd	42.2fcd	23.7fcd	15.2fcd	10.5fcd	7.7fcd	5.9fcd	4.7fcd	3.8fcd	3.1fcd	2.6fcd	2.2fcd	1.9fcd	1.7fcd	1.5fcd	1.3fcd	1.2fcd	1.1fcd	0.9fcd

The above information is for 3000K colour temperature, for specific module information please see LED spec located on our website

For information regarding other colour temperatures please use the following factors for lumen output and candelas:

2700K = 1

Light efficiency:

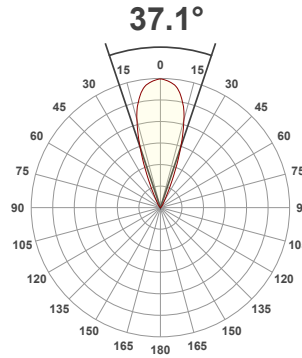
**68 Lumen/Watt**

Light quality:

**CRI: 97.9**

Color temperature:

**3000 K**



Product name:

**A960\_963-LED-SQ -  
LED51\_U-30-38-350mA**

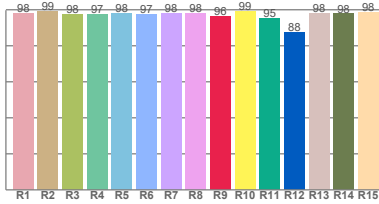
Item number:

**Trim Square Fixed\_Accent -  
LED51\_U-30-38-350mA**

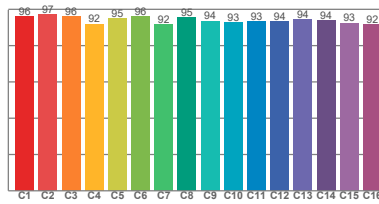
**Delivered information for above  
fixture and LED combination.**

**Output: 924 Lumen Peak intensity: 2298 cd Power consumption: 13.6**

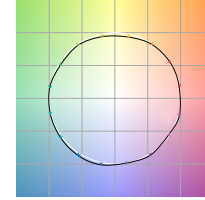
CRI R values



TM30 C Values

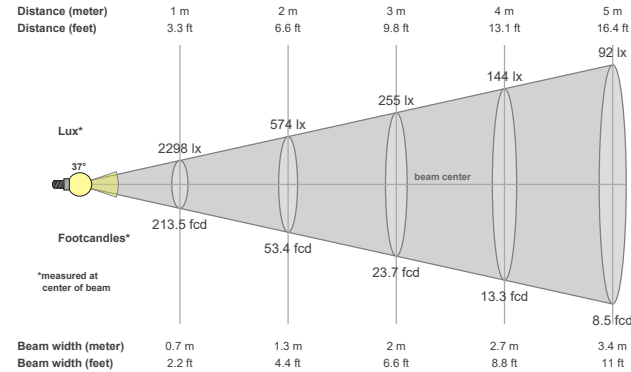


Color vector graphics



Color temperature	Color rendering index	Red component	Color fidelity	Color gamut	Color quality scale	Color coordinate cie 1931	Color coordinate cie 1931	Color coordinate	Color coordinate	Color deviation from black body
CCT	CRI	CRI R9	TM30 Rf	TM30 Rg	CQS	x	y	u	v	Δuv
3000 K	97.9	96.2	94.2	99.4	95.3	0.437	0.404	0.250	0.349	0.0012

## Beam details



## Beam angles

Beam angle 50%	Field angle 10%	Cutoff angle 2,5%
37.1°	55°	77.8°

## Beam intensities

Peak intensity	Int. ratio in 120° cone	Int. ratio in 90° cone
2298 cd	98.9%	97.1%

## Beam intensities from 1-20m

1m	2m	3m	4m	5m	6m	7m	8m	9m	10m	11m	12m	13m	14m	15m	16m	17m	18m	19m	20m
3.3ft	6.6ft	9.8ft	13.1ft	16.4ft	19.7ft	23ft	26.2ft	29.5ft	32.8ft	36.1ft	39.4ft	42.7ft	45.9ft	49.2ft	52.5ft	55.8ft	59.1ft	62.3ft	65.6ft
2298lx	574lx	255lx	144lx	92lx	64lx	47lx	36lx	28lx	23lx	19lx	16lx	14lx	12lx	10lx	9lx	8lx	7lx	6lx	6lx
213.5fcd	53.4fcd	23.7fcd	13.3fcd	8.5fcd	5.9fcd	4.4fcd	3.3fcd	2.6fcd	2.1fcd	1.8fcd	1.5fcd	1.3fcd	1.1fcd	0.9fcd	0.8fcd	0.7fcd	0.7fcd	0.6fcd	0.5fcd

The above information is for 3000K colour temperature, for specific module information please see LED spec located on our website

For information regarding other colour temperatures please use the following factors for lumen output and candelas:

2700K = 1

Light efficiency:

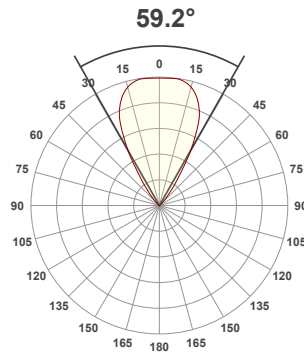
**69 Lumen/Watt**

Light quality:

**CRI: 98.0**

Color temperature:

**3000 K**



Product name:

**A960\_963-LED-SQ -  
LED51\_U-30-55-350mA**

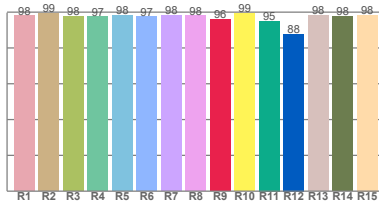
Item number:

**Trim Square Fixed\_Accent -  
LED51\_U-30-55-350mA**

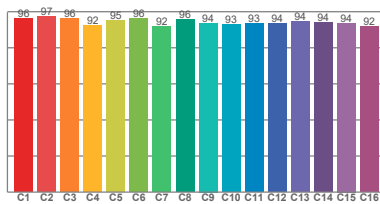
**Delivered information for above  
fixture and LED combination.**

**Output: 940 Lumen Peak intensity: 1040 cd Power consumption: 13.6**

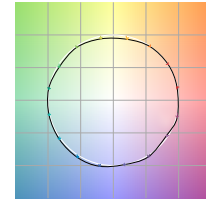
CRI R values



TM30 C Values

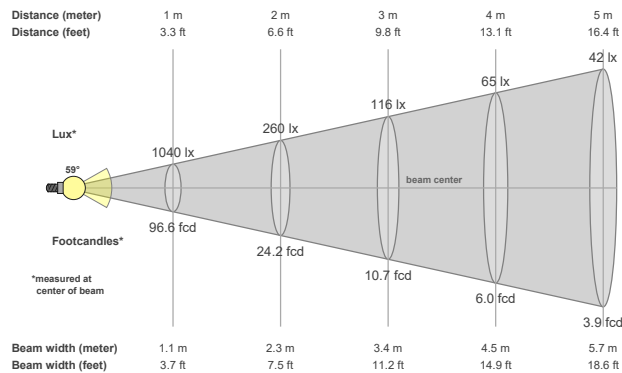


Color vector graphics



Color temperature	Color rendering index	Red component	Color fidelity	Color gamut	Color quality scale	Color coordinate cie 1931	Color coordinate cie 1931	Color coordinate	Color coordinate	Color deviation from black body
CCT	CRI	CRI R9	TM30 Rf	TM30 Rg	CQS	x	y	u	v	Δuv
3000 K	98.0	96.0	94.3	99.3	95.3	0.437	0.404	0.251	0.348	0.0013

## Beam details



## Beam angles

Beam angle 50%	Field angle 10%	Cutoff angle 2,5%
<b>59.2°</b>	<b>81.1°</b>	<b>98.2°</b>

## Beam intensities

Peak intensity	Int. ratio in 120° cone	Int. ratio in 90° cone
<b>1040 cd</b>	<b>98.9%</b>	<b>96.2%</b>

## Beam intensities from 1-20m

1m	2m	3m	4m	5m	6m	7m	8m	9m	10m	11m	12m	13m	14m	15m	16m	17m	18m	19m	20m
3.3ft	6.6ft	9.8ft	13.1ft	16.4ft	19.7ft	23ft	26.2ft	29.5ft	32.8ft	36.1ft	39.4ft	42.7ft	45.9ft	49.2ft	52.5ft	55.8ft	59.1ft	62.3ft	65.6ft
1040lx	260lx	116lx	65lx	42lx	29lx	21lx	16lx	13lx	10lx	9lx	7lx	6lx	5lx	5lx	4lx	4lx	3lx	3lx	3lx
96.6fcd	24.2fcd	10.7fcd	6fcd	3.9fcd	2.7fcd	2fcd	1.5fcd	1.2fcd	1fcd	0.8fcd	0.7fcd	0.6fcd	0.5fcd	0.4fcd	0.4fcd	0.3fcd	0.3fcd	0.3fcd	0.2fcd

The above information is for 3000K colour temperature, for specific module information please see LED spec located on our website

For information regarding other colour temperatures please use the following factors for lumen output and candelas:

2700K = 1