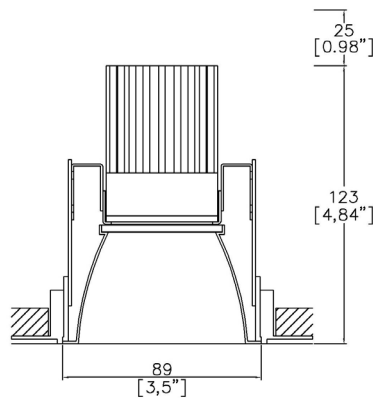


ProSpex 100 Trimless



89mm (3.50") overall diameter. Available with standard trim kit or plaster-in kit for flush appearance. Family of matching products also available. Required depth height + 25mm[^]



100-LED-TL

LED Source	LED51WD	LED51WD
CCT	3000K	3000K
Drive Current	500mA	500mA
Power inc Driver	17.1W	17.1W
Beam Angle	28°	39°
Delivered Lumens	708	797
Delivered Intensisty cd	2402	1695
Efficacy lm/w	41	47
Forward Volt	29.1V	29.1V
CRI	≥95 CRI	≥95 CRI

Test results at full output

Information above is with Satin Silver Reflector, for Polished Silver Reflector please see ies files

Project Ref: _____

Location Ref: _____

Fixture Order Code: - - -

Fixture
100-LED-TL Reflector100 Trimless Fixed with LED51

Reflector Finish
PS Polished Silver
SS Satin Silver
CG Champagne Gold
BK Black
WH White

IP Rating
54 IP54

Emergency
E Maintained 3hr Emergency
ED Maintained 3hr DALI Self Test
ES Maintained 3hr Self Test

LED Order Code: - - -

LED
LED51WD LED50 ONE Ambiance WarmDim

CCT
2720 2700K - 2000K
3020 3000K - 2000K

Beam
28 28°
39 39°

Protocol
S Non-Dim
A Analogue (0-10v)
P Phase
D DALI
B Bluetooth**



Honeycomb Louvre



Diffusing Lens



Frosted Lens



Heavy Spread Lens



Linear Spread Lens



Warm Tone

Accessories Order Code:

Louvre/Lens

- LL45 Honeycomb Louvre
- LLCC Warm Tone Lens
- LLUV UV Lens
- LLDF Diffusing Lens
- LLFR Frosted Lens
- LLLS Linear Spread Lens
- LLHS Heavy Spread Lens

Technical Details

*Custom RAL code must be specified. Custom RAL colours can increase prices and lead times

Dimming. Whilst Lucent can offer the majority of its luminaires with various dimming options, it remains the responsibility of the specifier/installer to check and ensure compatibility of any control equipment used. Additional cabling may be required depending on the dimming protocol specified.

**Bluetooth (wireless) is the communication method. The exact dimming protocol must be confirmed to allow the selection of suitable drivers or bluetooth devices.

^ Depth indicated is the minimum recess depth for the luminaire with a remote mounted LED driver. Installing a driver through either the luminaire cut-out or installation kit may require additional recess depth, please refer to the relevant luminaire installation instructions for further details.Data correct at time of publishing

First Fix Requirement. Luminaire comprised of fixture body with ceiling trim and installation kit, which is to be fitted into the ceiling once finished. Ensure correct alignment of the installation kit before final assembly (see luminaire installation instructions for details)

IP Rating. Tested from underside of the ceiling

It is the policy of Lucent Lighting to continually review and improve its products and therefore reserve the right to change any details of product or withdraw specifications without prior notice.

Luminaires designed to comply with EN60598 and all other standards.

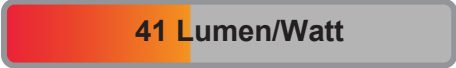
This specification sheet superseded all previous versions.

All intellectual property rights pertaining to the product described above and to this document are owned by or licensed to Lucent Lighting Ltd.

We reserve the right to take whatever action is necessary to protect those intellectual property rights.

Please notify Lucent Lighting Ltd of any inaccuracies immediately. E&OE

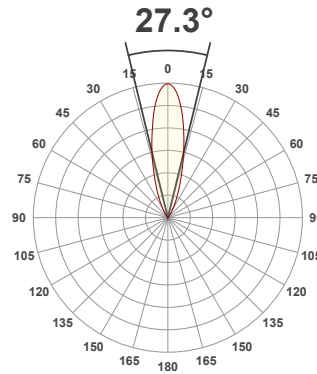
Light efficiency:



Light quality:



Color temperature:



Product name:

100-LED-SS - LED51WD-3020-28-500mA-No Lens

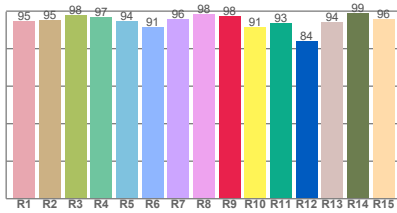
Item number:

ProSpex 100 Fixed Satin Silver Reflector - LED51WD-3020-28-500mA

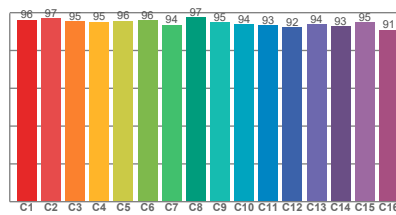
Delivered information for above fixture and LED combination.

Output: 708 Lumen Peak intensity: 2402 cd Power consumption: 17.1

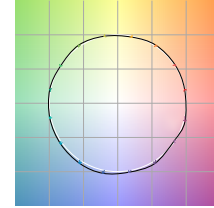
CRI R values



TM30 C Values

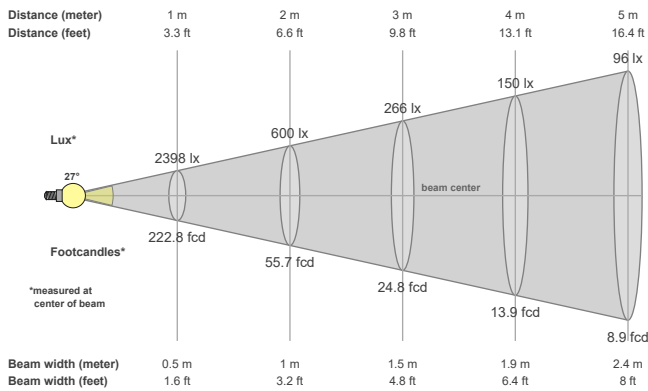


Color vector graphics



Color temperature	Color rendering index	Red component	Color fidelity	Color gamut	Color quality scale	Color coordinate cie 1931	Color coordinate cie 1931	Color coordinate	Color coordinate	Color deviation from black body
CCT	CRI	CRI R9	TM30 Rf	TM30 Rg	CQS	x	y	u	v	Δuv
3000 K	95.6	97.5	94.7	102.7	94.9	0.437	0.404	0.257	0.343	-0.0063

Beam details



Beam angels

Beam angle 50%	Field angle 10%	Cutoff angle 2,5%
27.3°	55.5°	71.6°

Beam intensities

Peak intensity	Int. ratio in 120° cone	Int. ratio in 90° cone
2402 cd	99.4%	98.4%

Beam intensities from 1-20m

1m	2m	3m	4m	5m	6m	7m	8m	9m	10m	11m	12m	13m	14m	15m	16m	17m	18m	19m	20m
3.3ft	6.6ft	9.8ft	13.1ft	16.4ft	19.7ft	23ft	26.2ft	29.5ft	32.8ft	36.1ft	39.4ft	42.7ft	45.9ft	49.2ft	52.5ft	55.8ft	59.1ft	62.3ft	65.6ft
2398lx	600lx	266lx	150lx	96lx	67lx	49lx	37lx	30lx	24lx	20lx	17lx	14lx	12lx	11lx	9lx	8lx	7lx	7lx	6lx
222.8fcd	55.7fcd	24.8fcd	13.9fcd	8.9fcd	6.2fcd	4.5fcd	3.5fcd	2.8fcd	2.2fcd	1.8fcd	1.5fcd	1.3fcd	1.1fcd	1fcd	0.9fcd	0.8fcd	0.7fcd	0.6fcd	0.6fcd

The above information is for 3000K colour temperature, for specific module information please see LED spec located on our website

For information regarding other colour temperatures please use the following factors for lumen output and candelas:

2700K = 0.93

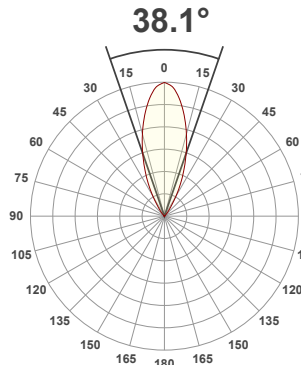
Light efficiency:



Light quality:



Color temperature:



Product name:

100-LED-SS - LED51WD-3020-39-500mA-No Lens

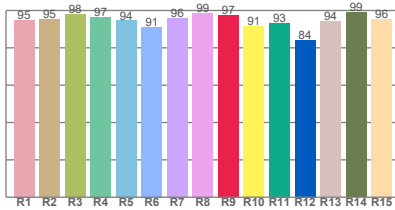
Item number:

ProSpex 100 Fixed Satin Silver Reflector - LED51WD-3020-39-500mA

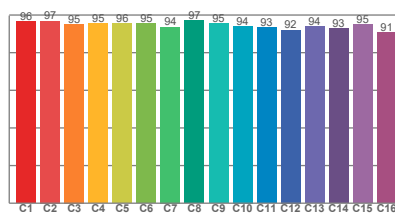
Delivered information for above fixture and LED combination.

Output: 797 Lumen Peak intensity: 1695 cd Power consumption: 17.1

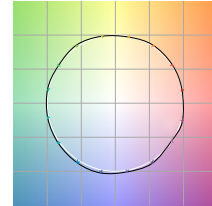
CRI R values



TM30 C Values

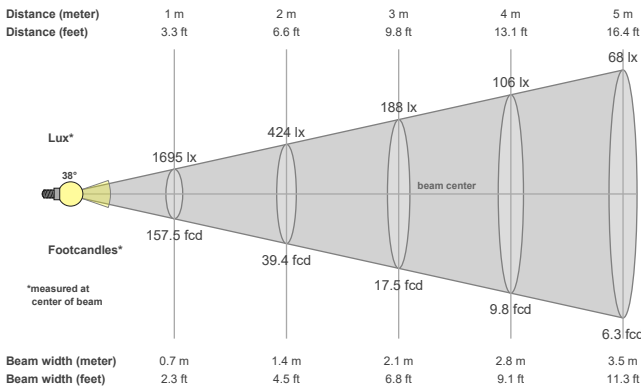


Color vector graphics



Color temperature	Color rendering index	Red component	Color fidelity	Color gamut	Color quality scale	Color coordinate cie 1931	Color coordinate cie 1931	Color coordinate	Color coordinate	Color deviation from black body
CCT	CRI	CRI R9	TM30 Rf	TM30 Rg	CQS	x	y	u	v	Δuv
3000 K	95.6	97.5	94.8	103.0	94.8	0.437	0.404	0.257	0.343	-0.0065

Beam details



Beam angles

Beam angle 50%	Field angle 10%	Cutoff angle 2,5%
38.1°	66.8°	82.9°

Beam intensities

Peak intensity	Int. ratio in 120° cone	Int. ratio in 90° cone
1695 cd	99.4%	98.3%

Beam intensities from 1-20m

1m	2m	3m	4m	5m	6m	7m	8m	9m	10m	11m	12m	13m	14m	15m	16m	17m	18m	19m	20m
3.3ft	6.6ft	9.8ft	13.1ft	16.4ft	19.7ft	23ft	26.2ft	29.5ft	32.8ft	36.1ft	39.4ft	42.7ft	45.9ft	49.2ft	52.5ft	55.8ft	59.1ft	62.3ft	65.6ft
1695lx	424lx	188lx	106lx	68lx	47lx	35lx	26lx	21lx	17lx	14lx	12lx	10lx	9lx	8lx	7lx	6lx	5lx	5lx	4lx
157.5fcd	39.4fcd	17.5fcd	9.8fcd	6.3fcd	4.4fcd	3.2fcd	2.5fcd	1.9fcd	1.6fcd	1.3fcd	1.1fcd	0.9fcd	0.8fcd	0.7fcd	0.6fcd	0.5fcd	0.5fcd	0.4fcd	0.4fcd

The above information is for 3000K colour temperature, for specific module information please see LED spec located on our website

For information regarding other colour temperatures please use the following factors for lumen output and candelas:

2700K = 0.93