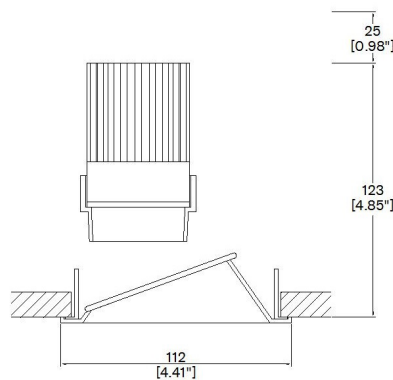


ProSpex Plus Round Wallwash Trim



112mm (4.41") overall trim diameter. 0° - 30° vertical adjustment option as standard. Available with standard trim kit or plaster-in kit for flush appearance. Family of matching products also available. Required depth height + 25mm[^]



090+LED-TR-WW
Cut-out 102mm Ø

LED Source	LED51WD	LED51WD
CCT	3000K	3000K
Drive Current	500mA	500mA
Power inc Driver	17.1W	17.1W
Beam Angle	39°	39°
Angled at	0°	20°
Delivered Lumens	421	452
Delivered Intensisty cd	434	491
Efficacy lm/w	25	26
Forward Volt	29.1V	29.1V
CRI	≥95 CRI	≥95 CRI

Project Ref: _____

Location Ref: _____

Fixture Order Code: - - -

Fixture
090+LED-TR-WW Plus Round Wallwash Trim with LED51

Finish
WH White
BK Black
RAL Custom RAL Colour*

IP Rating
44 IP44

Emergency
E Maintained 3hr Emergency
ED Maintained 3hr DALI Self Test
ES Maintained 3hr Self Test



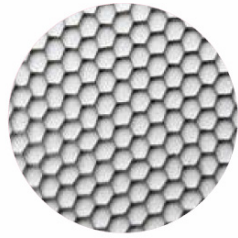
LED Order Code: - - -

LED
LED51WD LED50 ONE Ambiance WarmDim

CCT
2720 2700K - 2000K
3020 3000K - 2000K

Beam
39 39°

Protocol
S Non-Dim
A Analogue (0-10v)
P Phase
D DALI
B Bluetooth**

**Honeycomb Louvre****Warm Tone**

Accessories Order Code:

Louvre/Lens

LL45	Honeycomb Louvre
LLCC	Warm Tone Lens
LLUV	UV Lens

Technical Details

*Custom RAL code must be specified. Custom RAL colours can increase prices and lead times

Dimming. Whilst Lucent can offer the majority of its luminaires with various dimming options, it remains the responsibility of the specifier/installer to check and ensure compatibility of any control equipment used. Additional cabling may be required depending on the dimming protocol specified.

**Bluetooth (wireless) is the communication method. The exact dimming protocol must be confirmed to allow the selection of suitable drivers or bluetooth devices.

^ Depth indicated is the minimum recess depth for the luminaire with a remote mounted LED driver. Installing a driver through either the luminaire cut-out or installation kit may require additional recess depth, please refer to the relevant luminaire installation instructions for further details. Data correct at time of publishing

First Fix Requirement. Luminaire comprised of fixture body with ceiling trim and installation kit, which is to be fitted into the ceiling once finished. Ensure correct alignment of the installation kit before final assembly (see luminaire installation instructions for details)

IP Rating. Tested from underside of the ceiling

It is the policy of Lucent Lighting to continually review and improve its products and therefore reserve the right to change any details of product or withdraw specifications without prior notice.

Luminaires designed to comply with EN60598 and all other standards.

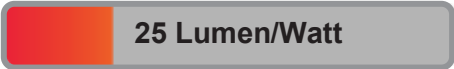
This specification sheet supersedes all previous versions.

All intellectual property rights pertaining to the product described above and to this document are owned by or licensed to Lucent Lighting Ltd.

We reserve the right to take whatever action is necessary to protect those intellectual property rights.

Please notify Lucent Lighting Ltd of any inaccuracies immediately. E&OE

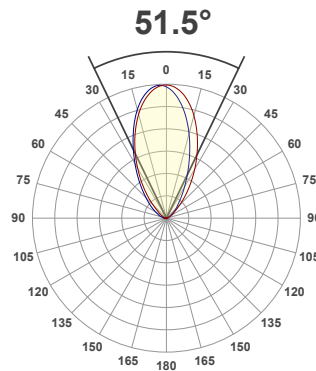
Light efficiency:



Light quality:



Color temperature:



Product name:

090+LED-WW-0 Dgr Tilt - LED51WD-3020-39-500mA

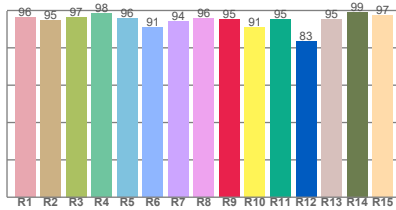
Item number:

Plus Round Wallwash - LED51WD-3020-39-500mA

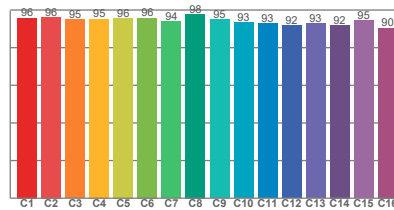
Delivered information for above fixture and LED combination.

Output: 421 Lumen Peak intensity: 434 cd Power consumption: 17.1

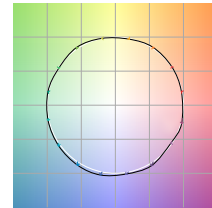
CRI R values



TM30 C Values

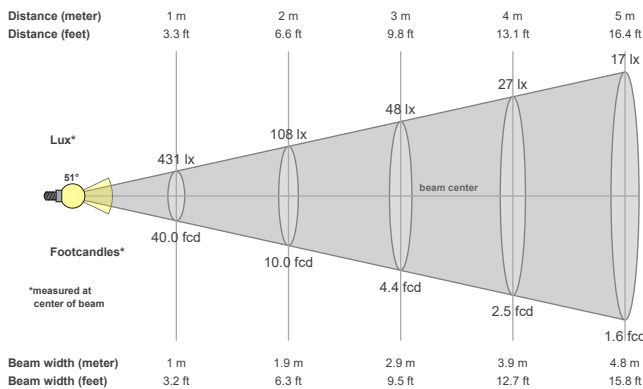


Color vector graphics



Color temperature	Color rendering index	Red component	Color fidelity	Color gamut	Color quality scale	Color coordinate cie 1931	Color coordinate cie 1931	Color coordinate	Color coordinate	Color deviation from black body
CCT	CRI	CRI R9	TM30 Rf	TM30 Rg	CQS	x	y	u	v	Δuv
3000 K	95.3	95.1	94.4	102.2	94.2	0.437	0.404	0.257	0.342	-0.0071

Beam details



Beam angles

Beam angle 50%	Field angle 10%	Cutoff angle 2,5%
51.5°	101.5°	136.7°

Beam intensities

Peak intensity	Int. ratio in 120° cone	Int. ratio in 90° cone
434 cd	94.1%	81.8%

Beam intensities from 1-20m

1m	2m	3m	4m	5m	6m	7m	8m	9m	10m	11m	12m	13m	14m	15m	16m	17m	18m	19m	20m
3.3ft	6.6ft	9.8ft	13.1ft	16.4ft	19.7ft	23ft	26.2ft	29.5ft	32.8ft	36.1ft	39.4ft	42.7ft	45.9ft	49.2ft	52.5ft	55.8ft	59.1ft	62.3ft	65.6ft
431lx	108lx	48lx	27lx	17lx	12lx	9lx	7lx	5lx	4lx	4lx	3lx	3lx	2lx	2lx	2lx	1lx	1lx	1lx	1lx
40fcd	10fcd	4.4fcd	2.5fcd	1.6fcd	1.1fcd	0.8fcd	0.6fcd	0.5fcd	0.4fcd	0.3fcd	0.3fcd	0.2fcd	0.2fcd	0.2fcd	0.2fcd	0.1fcd	0.1fcd	0.1fcd	0.1fcd

The above information is for 3000K colour temperature, for specific module information please see LED spec located on our website

For information regarding other colour temperatures please use the following factors for lumen output and candelas:

2700K = 0.93

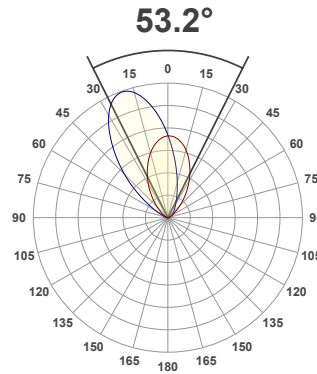
Light efficiency:



Light quality:



Color temperature:



Product name:

090+LED-WW-20 Dgr Tilt - LED51WD-3020-39-500mA

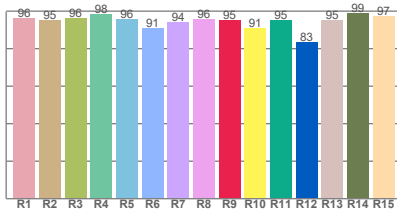
Item number:

Plus Round Wallwash - LED51WD-3020-39-500mA

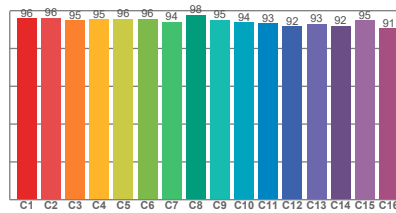
Delivered information for above fixture and LED combination.

Output: 452 Lumen Peak intensity: 491 cd Power consumption: 17.1

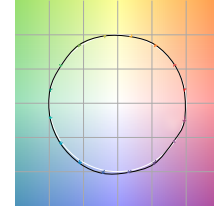
CRI R values



TM30 C Values

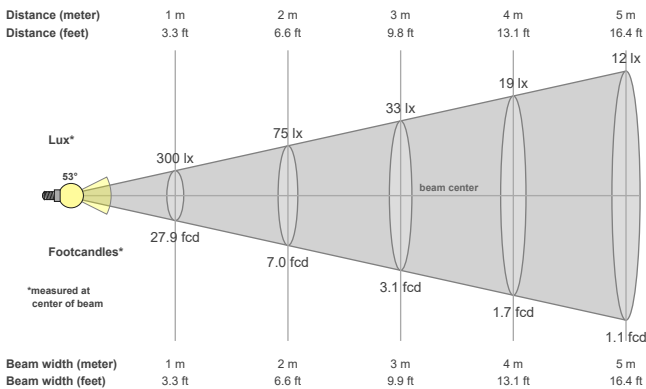


Color vector graphics



Color temperature	Color rendering index	Red component	Color fidelity	Color gamut	Color quality scale	Color coordinate cie 1931	Color coordinate cie 1931	Color coordinate	Color coordinate	Color deviation from black body
CCT	CRI	CRI R9	TM30 Rf	TM30 Rg	CQS	x	y	u	v	Δuv
3000 K	95.3	95.0	94.5	102.3	94.2	0.437	0.404	0.257	0.342	-0.0071

Beam details



Beam angels

Beam angle 50%	Field angle 10%	Cutoff angle 2,5%
53.2°	101°	134.1°

Beam intensities

Peak intensity	Int. ratio in 120° cone	Int. ratio in 90° cone
491 cd	94.8%	78.6%

Beam intensities from 1-20m

1m	2m	3m	4m	5m	6m	7m	8m	9m	10m	11m	12m	13m	14m	15m	16m	17m	18m	19m	20m
3.3ft	6.6ft	9.8ft	13.1ft	16.4ft	19.7ft	23ft	26.2ft	29.5ft	32.8ft	36.1ft	39.4ft	42.7ft	45.9ft	49.2ft	52.5ft	55.8ft	59.1ft	62.3ft	65.6ft
300lx	75lx	33lx	19lx	12lx	8lx	6lx	5lx	4lx	3lx	2lx	2lx	2lx	2lx	1lx	1lx	1lx	1lx	1lx	1lx
27.9fcd	7fcd	3.1fcd	1.7fcd	1.1fcd	0.8fcd	0.6fcd	0.4fcd	0.3fcd	0.3fcd	0.2fcd	0.2fcd	0.2fcd	0.1fcd	0.1fcd	0.1fcd	0.1fcd	0.1fcd	0.1fcd	0.1fcd

The above information is for 3000K colour temperature, for specific module information please see LED spec located on our website

For information regarding other colour temperatures please use the following factors for lumen output and candelas:

2700K = 0.93