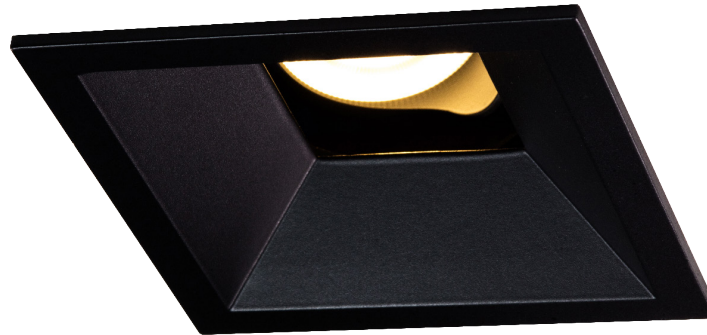
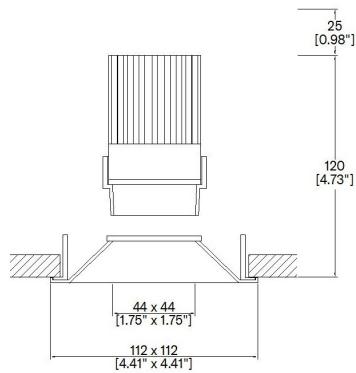


# Plus3.5 Pyramidal Fixed



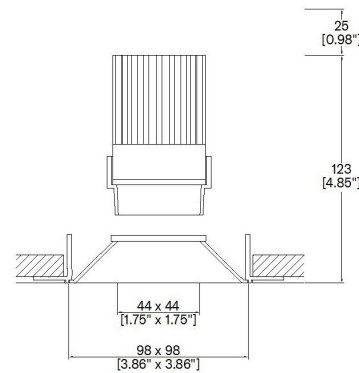
Plus provides high performance electronics and architectural aesthetics in round and square 3.5” and 5” trim. Plus products include adjustable, fixed and wallwash in a flanged or trimless installation kit. Adjustable can be provided with gear driven adjustment or manual adjustment. Available in various front plates (Conical, Bevel, Edge, Pyramidal and Square Bevel) Bevel and Square Bevel available with various color inserts. Tray, retrofit and housing installation methods (NIC, IC, AT, T24 and CCEA) Multiple configurations for equal spacing also available. Lucent modules available in a wide range of color temperatures, beam angles, intensities, and effects (Ambiance WarmDim and Dynamic Tuneable White). MR16 and GU10 LED lamp options available. TRIAC/Phase, 0-10v/1-10v, DMX and DALI/Digital dimming.



A090+LED-TR-SQ  
Cut-out 102 x 102mm  
(4.02” x 4.02”)



**Installation kit for overlap flange**



A090+LED-TL-SQ  
Cut-out 102 x 102mm  
(4.02” x 4.02”)



**Mud-in kit for seamless/trimless**

LED Source	LED51TW	LED51TW
CCT (5000K - 2000K)	@ 3000K	@ 3000K
Drive Current (max per channel)	700mA	700mA
Power inc Driver	15.1W	15.1W
Beam Angle	25°	35°
Delivered Lumens	517	602
Delivered Intensity cd	2187	1339
Efficacy lm/w	34	40
Forward Volt (max per channel)	18.4V	18.4V
CRI	≥95 CRI	≥95 CRI

Project Ref: \_\_\_\_\_

Location Ref: \_\_\_\_\_

Specify fixture part number (All boxes must be filled in to correctly order)

<b>A090+LED</b>					<b>LED5ITW</b>	<b>5020</b>								
-----------------	--	--	--	--	----------------	-------------	--	--	--	--	--	--	--	--

**Installation**

- TR-SQ** Flange kit
- TL-SQ** Mud-in kit

**Finish**

- WH** White
- BK** Black
- RAL** Custom\*

**Location**

- XX** Dry
- DP** Damp

**Ceiling Thickness**

- SC** Standard Ceiling (1/2"-5/8"-3/4")
- C** Custom

**LED Type**

- LED5ITW** LED5ITW (95CRI)

**CCT**

- 5020** 5000K - 2000K

**Beam Angles**

- 25** 25
- 35** 35

**Housing/Tray**

- LMT-13-NIC** Mounting Tray Non-Insulated ceilings
- LH-6.75-NIC** Housing 6.75" Non-Insulated ceilings
- LH-8.50-AT/IC** Housing 8.50" Insulated/Air-tight ceilings and Chicago Plenum

**Mounting Hardware**

- 09** 9" to 15.25" - Adjustable Bar Hanger Lengths
- 14** 14" to 24" - Adjustable Bar Hanger Lengths
- 36** 28" to 36" - Adjustable Bar Hanger Lengths
- BB** Butterfly Bracket
- CB** Caterpillar Bracket

**Supply Voltage**

- 120** 120V
- 277** 277V

**Dimming Protocol**

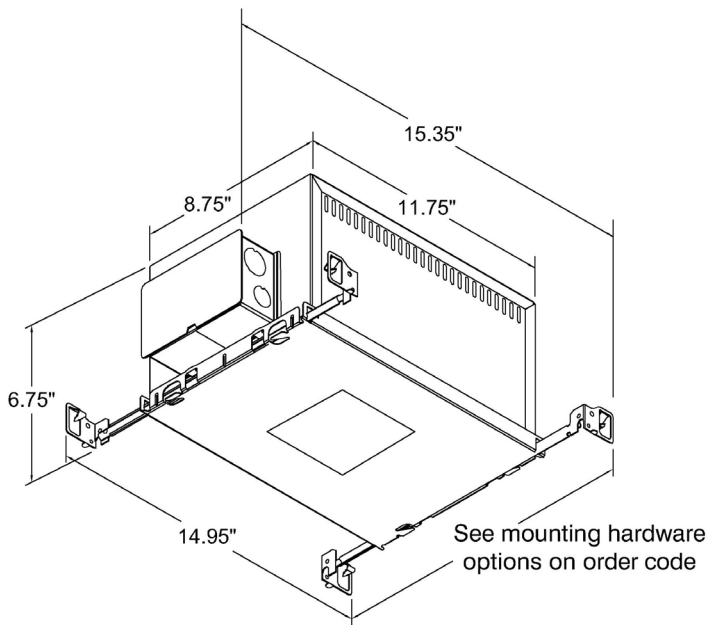
- A2** Analogue (0-10V) 2-Channel (0.1% Dimming)
- D6** DALI Type 6\*\* (0.1% Dimming)
- D8** DALI Type 8\*\* (0.1% Dimming)
- L** Lutron (Consult Factory)

- Emergency**
- E** 1.5h Emergency
  - ES** 1.5h Self test

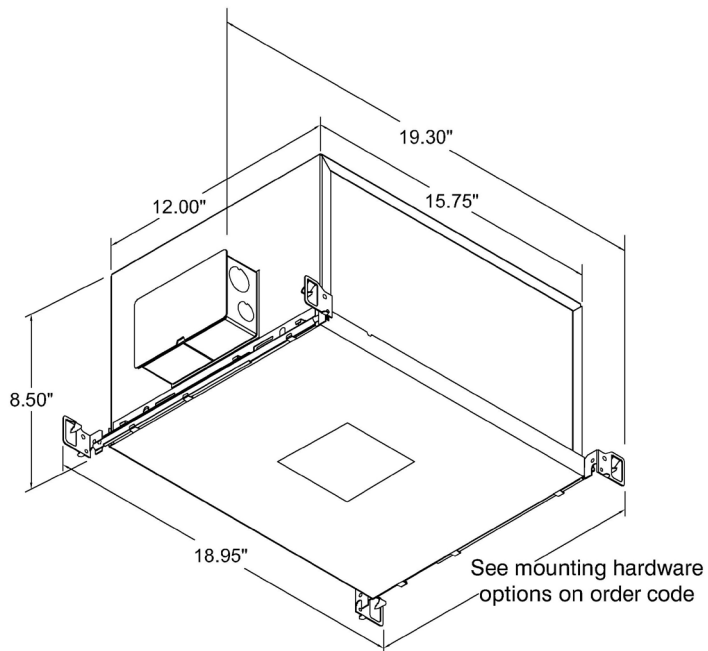
- Louvre/Lens**
- XX** Not required
  - LL45** Honeycomb
  - LLCC** Warm Tone
  - LLUV** UV
  - LLDF** Solite/Diffusing
  - LLFR** Frosted Lens
  - LLLS** Linear Spread
  - LLHS** Heavy Spread

\*Refer to Technical Details for more information

## Housing dimensions

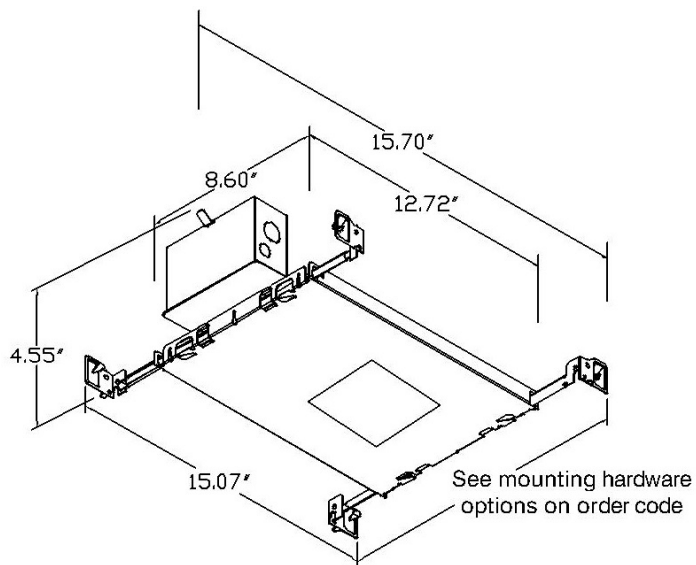


LH-6.75  
Non-insulated ceilings

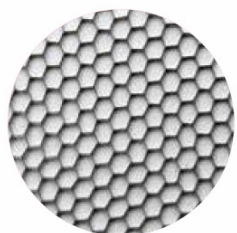


LH-8.50  
Insulated/air-tight ceilings and  
Chicago Plenum

## Tray dimensions



LMT-13  
Non-insulated ceilings



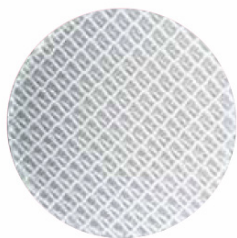
**Honeycomb Louvre (LL45)**



**Solite/Diffusing Lens (LLDF)**



**Frosted Lens (LLFR)**



**Heavy Spread Lens (LLHS)**



**Linear Spread Lens (LLLS)**



**Warm Tone (LLCC)**

---

## Technical Details

\*Custom color requires a paint chip or RAL code and may increase price and lead-time

It is the responsibility of the specifier/integrator/installer to check and ensure compatibility of any control equipment used. Additional cabling may be required depending on the dimming protocol specified.

\*\*DALI Type 6 requires two DALI addresses, one for CCT control the other for intensity control. DALI Type 8 is a single DALI Type 8 address for CCT and intensity control. Please check which control system is being used before specifying.

^ Depth indicated is the minimum recess depth for the luminaire with a remote mounted LED driver. Installing a driver through either the luminaire cut-out or installation kit may require additional recess depth, please refer to the relevant installation instructions prior to purchase.

First Fix Requirement. Luminaire comprised of fixture body with ceiling trim and installation kit, which is to be fitted into the ceiling once finished. Ensure correct alignment of the installation kit before final assembly (see luminaire installation instructions for details)

Location. Tested from underside of the ceiling.

Data correct at time of publishing. It is the policy of Lucent Lighting to continually review and improve its products and therefore reserve the right to change any details of product or withdraw specifications without prior notice.

This specification sheet supersedes all previous versions.

All intellectual property rights pertaining to the product described above and to this document are owned by or licensed to Lucent Lighting, Incorporated. Lucent Lighting reserves the right to take whatever action is necessary to protect its intellectual property, patents and trademarks

Please notify Lucent Lighting Inc. inaccuracies. E&OE



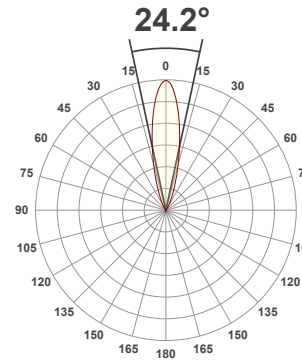
**Light efficiency:**



**Light quality:**



**Color temperature:**



Product name:

**090+LED-SQ - LED51TW-5020-25 @ 3000K**

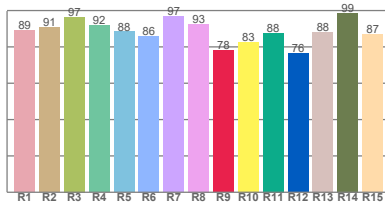
Item number:

**Plus Pyramidal Fixed - LED51TW-5020-25 @ 3000K**

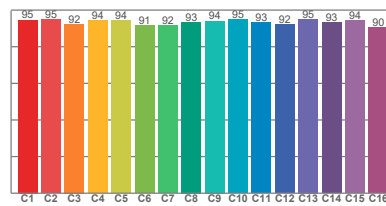
**Delivered information for above fixture and LED combination.**

**Output: 517 Lumen Peak intensity: 2187 cd Power consumption: 15.1**

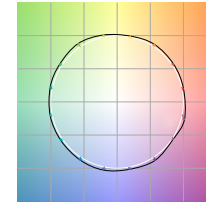
**CRI R values**



**TM30 C Values**

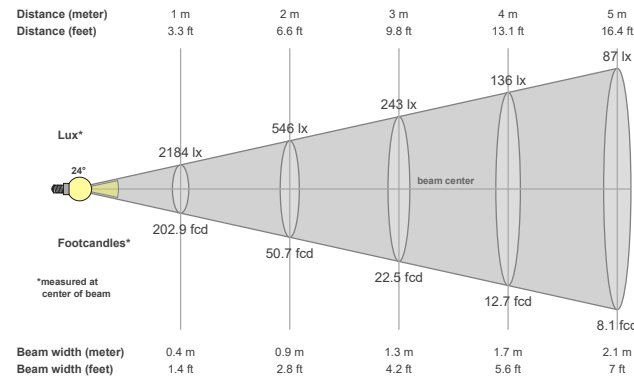


**Color vector graphics**



Color temperature	Color rendering index	Red component	Color fidelity	Color gamut	Color quality scale	Color coordinate cie 1931	Color coordinate cie 1931	Color coordinate	Color coordinate	Color deviation from black body
CCT	CRI	CRI R9	TM30 Rf	TM30 Rg	CQS	x	y	u	v	Δuv
3000 K	91.5	78.0	93.5	106.8	93.5	0.437	0.404	0.257	0.336	-0.0130

**Beam details**



**Beam angles**

Beam angle 50%	Field angle 10%	Cutoff angle 2,5%
24.2°	49.3°	66.4°

**Beam intensities**

Peak intensity	Int. ratio in 120° cone	Int. ratio in 90° cone
2187 cd	99.8%	99.4%

**Beam intensities from 1-20m**

1m	2m	3m	4m	5m	6m	7m	8m	9m	10m	11m	12m	13m	14m	15m	16m	17m	18m	19m	20m
3.3ft	6.6ft	9.8ft	13.1ft	16.4ft	19.7ft	23ft	26.2ft	29.5ft	32.8ft	36.1ft	39.4ft	42.7ft	45.9ft	49.2ft	52.5ft	55.8ft	59.1ft	62.3ft	65.6ft
2184lx	546lx	243lx	136lx	87lx	61lx	45lx	34lx	27lx	22lx	18lx	15lx	13lx	11lx	10lx	9lx	8lx	7lx	6lx	5lx
202.9fcd	50.7fcd	22.5fcd	12.7fcd	8.1fcd	5.6fcd	4.1fcd	3.2fcd	2.5fcd	2fcd	1.7fcd	1.4fcd	1.2fcd	1fcd	0.9fcd	0.8fcd	0.7fcd	0.6fcd	0.6fcd	0.5fcd

All the above information for fixtures with LED51TW-5020 modules are tested at 3000K

Factors to adjust lumen output for the following CCTs at 100% output for the colour are as follows:

2000K = 0.67

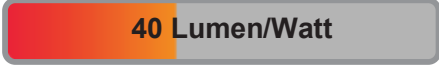
2700K = 0.84

3500K = 1.085

4000K = 1.113

5000K = 1.087

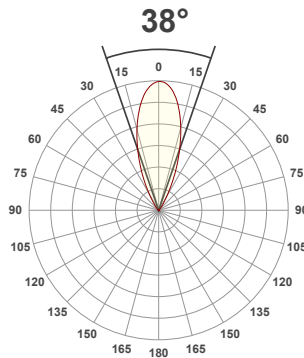
Light efficiency:



Light quality:



Color temperature:



Product name:

**090+LED-SQ - LED51TW-5020-35 @ 3000K**

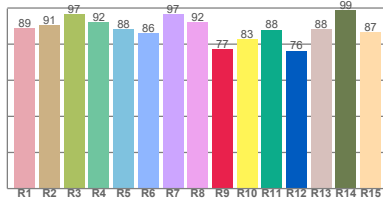
Item number:

**Plus Pyramidal Fixed - LED51TW-5020-35 @ 3000K**

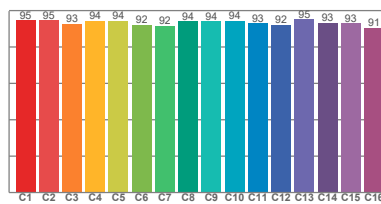
**Delivered information for above fixture and LED combination.**

**Output: 602 Lumen Peak intensity: 1339 cd Power consumption: 15.1**

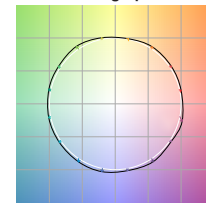
CRI R values



TM30 C Values

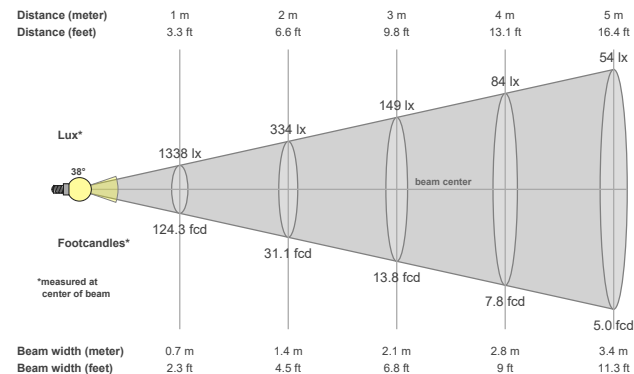


Color vector graphics



Color temperature	Color rendering index	Red component	Color fidelity	Color gamut	Color quality scale	Color coordinate cie 1931	Color coordinate cie 1931	Color coordinate	Color coordinate	Color deviation from black body
CCT	CRI	CRI R9	TM30 Rf	TM30 Rg	CQS	x	y	u	v	Δuv
<b>3000 K</b>	<b>91.5</b>	<b>77.2</b>	<b>93.6</b>	<b>106.6</b>	<b>93.8</b>	<b>0.437</b>	<b>0.404</b>	<b>0.255</b>	<b>0.336</b>	<b>-0.0129</b>

**Beam details**



**Beam angles**

Beam angle 50%	Field angle 10%	Cutoff angle 2,5%
<b>38°</b>	<b>64°</b>	<b>83.1°</b>

**Beam intensities**

Peak intensity	Int. ratio in 120° cone	Int. ratio in 90° cone
<b>1339 cd</b>	<b>99.8%</b>	<b>99.0%</b>

**Beam intensities from 1-20m**

1m	2m	3m	4m	5m	6m	7m	8m	9m	10m	11m	12m	13m	14m	15m	16m	17m	18m	19m	20m
3.3ft	6.6ft	9.8ft	13.1ft	16.4ft	19.7ft	23ft	26.2ft	29.5ft	32.8ft	36.1ft	39.4ft	42.7ft	45.9ft	49.2ft	52.5ft	55.8ft	59.1ft	62.3ft	65.6ft
1338lx	334lx	149lx	84lx	54lx	37lx	27lx	21lx	17lx	13lx	11lx	9lx	8lx	7lx	6lx	5lx	5lx	4lx	4lx	3lx
124.3fcd	31.1fcd	13.8fcd	7.8fcd	5fcd	3.5fcd	2.5fcd	1.9fcd	1.5fcd	1.2fcd	1fcd	0.9fcd	0.7fcd	0.6fcd	0.6fcd	0.5fcd	0.4fcd	0.4fcd	0.3fcd	0.3fcd

All the above information for fixtures with LED51TW-5020 modules are tested at 3000K

Factors to adjust lumen output for the following CCTs at 100% output for the colour are as follows:

2000K = 0.67

2700K = 0.84

3500K = 1.085

4000K = 1.113

5000K = 1.087