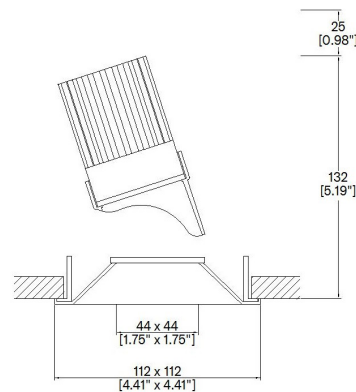


ProSpex Plus Pyramidal Accent



112 x 112mm (4.41" x 4.41") overall trim dimension. Gear driven tilt and adjustment. 360° rotation. Up to 45° tilt. Available with standard trim kit or plaster-in kit for flush appearance. Family of matching products also available. Required depth height + 25mm[^]



093+LED-TR-SQ
Cut-out 102x102mm

LED Source	LED51TW	LED51TW
CCT range	@ 3000K	@ 3000K
Drive Current (max per channel)	700mA	700mA
Power inc Driver Max	15.1W	15.1W
Beam Angle	25°	35°
Delivered Lumens	507	555
Delivered Intensisty cd	1996	1197
Efficacy lm/w	34	37
Forward Volt (max per channel)	18.4V	18.4V
CRI	≥95 CRI	≥95 CRI

Project Ref: _____

Location Ref: _____

Fixture Order Code: **093+LED-TR-SQ** - [] - [] - []

Fixture
093+LED-TR-SQ Plus Pyramidal Accent Trim with LED51

Finish
WH White
BK Black
BK-WH Black inner, White trim (as shown below)
RAL Custom RAL Colour*

IP Rating
44 IP44

Emergency
E Maintained 3hr Emergency
ED Maintained 3hr DALI Self Test
ES Maintained 3hr Self Test



LED Order Code: **LED51TW** - **5020** - [] - []

LED
LED51TW LED50 ONE Tuneable White

CCT
5020 5000K - 2000K

Beam
25 25°
35 35°

Protocol
D6 DALI Type 6**
D8 DALI Type 8**
B Bluetooth***



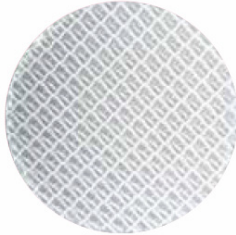
Honeycomb Louvre



Diffusing Lens



Frosted Lens



Heavy Spread Lens



Linear Spread Lens



Warm Tone

Accessories Order Code:

Louvre/Lens

- LL45 Honeycomb Louvre
- LLCC Warm Tone Lens
- LLUV UV Lens
- LLDF Diffusing Lens
- LLFR Frosted Lens
- LLLS Linear Spread Lens
- LLHS Heavy Spread Lens

Technical Details

*Custom RAL code must be specified. Custom RAL colours can increase prices and lead times

Dimming. Whilst Lucent can offer the majority of its luminaires with various dimming options, it remains the responsibility of the specifier/installer to check and ensure compatibility of any control equipment used. Additional cabling may be required depending on the dimming protocol specified.

**DALI Type 6 requires two DALI addresses, one for CCT control the other for Intesity control. DALI Type 8 is a single DALI Type 8 address for CCT and Intesity control. Please check which control system is being used before specifying.

***Bluetooth (wireless) is the communication method. The exact dimming protocol must be confirmed to allow the selection of suitable drivers or bluetooth devices.

^ Depth indicated is the minimum recess depth for the luminaire with a remote mounted LED driver. Installing a driver through either the luminaire cut-out or installation kit may require additional recess depth, please refer to the relevant luminaire installation instructions for further details. Data correct at time of publishing

First Fix Requirement. Luminaire comprised of fixture body with ceiling trim and installation kit, which is to be fitted into the ceiling once finished. Ensure correct alignment of the installation kit before final assembly (see luminaire installation instructions for details)

IP Rating. Tested from underside of the ceiling

It is the policy of Lucent Lighting to continually review and improve its products and therefore reserve the right to change any details of product or withdraw specifications without prior notice.

Luminaires designed to comply with EN60598 and all other standards.

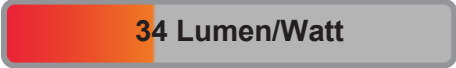
This specification sheet superseded all previous versions.

All intellectual property rights pertaining to the product described above and to this document are owned by or licensed to Lucent Lighting Ltd.

We reserve the right to take whatever action is necessary to protect those intellectual property rights.

Please notify Lucent Lighting Ltd of any inaccuracies immediately. E&OE

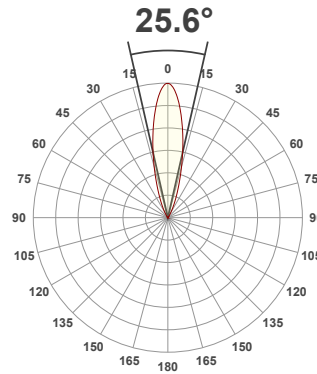
Light efficiency:



Light quality:



Color temperature:



Product name:

093+LED-SQ - LED51TW-5020-25 @ 3000K

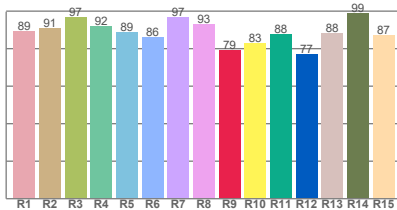
Item number:

Plus Pyramidal Locking Accent - LED51TW-5020-25 @ 3000K

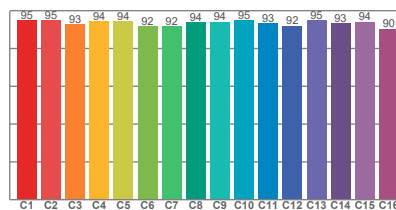
Delivered information for above fixture and LED combination.

Output: 507 Lumen Peak intensity: 1996 cd Power consumption: 15.1

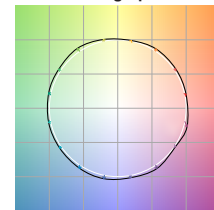
CRI R values



TM30 C Values

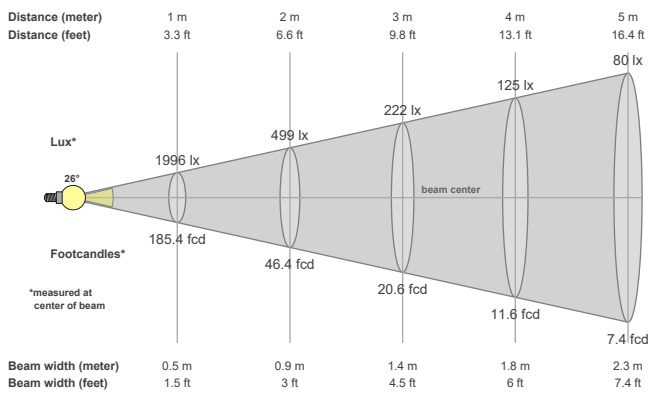


Color vector graphics



Color temperature	Color rendering index	Red component	Color fidelity	Color gamut	Color quality scale	Color coordinate cie 1931	Color coordinate cie 1931	Color coordinate	Color coordinate	Color deviation from black body
CCT	CRI	CRI R9	TM30 Rf	TM30 Rg	CQS	x	y	u	v	Δuv
3000 K	91.6	79.3	93.6	106.5	93.8	0.437	0.404	0.255	0.336	-0.0126

Beam details



Beam angels

Beam angle 50%	Field angle 10%	Cutoff angle 2,5%
25.6°	50.5°	65.7°

Beam intensities

Peak intensity	Int. ratio in 120° cone	Int. ratio in 90° cone
1996 cd	98.7%	97.3%

Beam intensities from 1-20m

1m	2m	3m	4m	5m	6m	7m	8m	9m	10m	11m	12m	13m	14m	15m	16m	17m	18m	19m	20m
3.3ft	6.6ft	9.8ft	13.1ft	16.4ft	19.7ft	23ft	26.2ft	29.5ft	32.8ft	36.1ft	39.4ft	42.7ft	45.9ft	49.2ft	52.5ft	55.8ft	59.1ft	62.3ft	65.6ft
1996lx	499lx	222lx	125lx	80lx	55lx	41lx	31lx	25lx	20lx	16lx	14lx	12lx	10lx	9lx	8lx	7lx	6lx	6lx	5lx
185.4fcd	46.4fcd	20.6fcd	11.6fcd	7.4fcd	5.2fcd	3.8fcd	2.9fcd	2.3fcd	1.9fcd	1.5fcd	1.3fcd	1.1fcd	0.9fcd	0.8fcd	0.7fcd	0.6fcd	0.6fcd	0.5fcd	0.5fcd

All the above information for fixtures with LED51TW-5020 modules are tested at 3000K

Factors to adjust lumen output for the following CCTs at 100% output for the colour are as follows:

2000K = 0.67

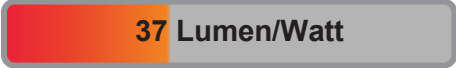
2700K = 0.84

3500K = 1.085

4000K = 1.113

5000K = 1.087

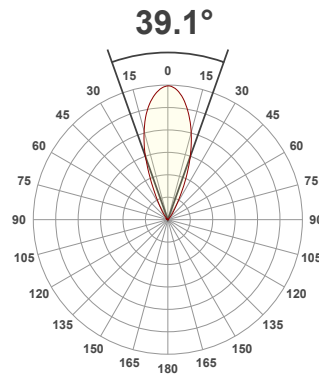
Light efficiency:



Light quality:



Color temperature:



Product name:

093+LED-SQ - LED51TW-5020-35-3000K

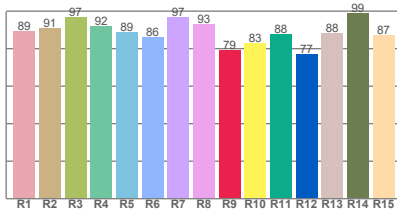
Item number:

Plus Pyramidal Locking Accent - LED51TW-5020-35 @ 3000K

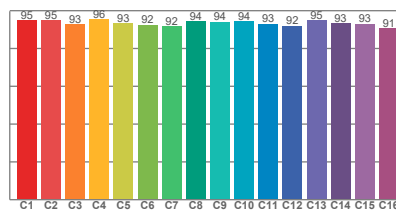
Delivered information for above fixture and LED combination.

Output: 555 Lumen Peak intensity: 1197 cd Power consumption: 15.1

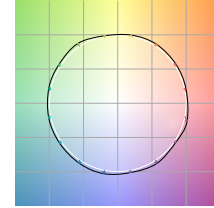
CRI R values



TM30 C Values

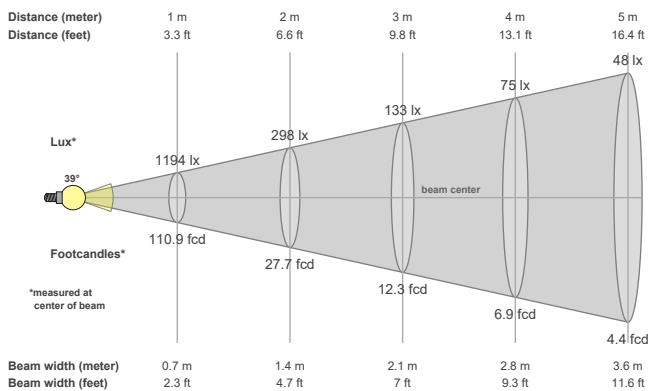


Color vector graphics



Color temperature	Color rendering index	Red component	Color fidelity	Color gamut	Color quality scale	Color coordinate cie 1931	Color coordinate cie 1931	Color coordinate	Color coordinate	Color deviation from black body
CCT	CRI	CRI R9	TM30 Rf	TM30 Rg	CQS	x	y	u	v	Δuv
3000 K	91.7	79.3	93.7	106.3	94.0	0.437	0.404	0.255	0.336	-0.0125

Beam details



Beam angels

Beam angle 50%	Field angle 10%	Cutoff angle 2,5%
39.1°	64.2°	81.3°

Beam intensities

Peak intensity	Int. ratio in 120° cone	Int. ratio in 90° cone
1197 cd	98.6%	96.9%

Beam intensities from 1-20m

1m	2m	3m	4m	5m	6m	7m	8m	9m	10m	11m	12m	13m	14m	15m	16m	17m	18m	19m	20m
3.3ft	6.6ft	9.8ft	13.1ft	16.4ft	19.7ft	23ft	26.2ft	29.5ft	32.8ft	36.1ft	39.4ft	42.7ft	45.9ft	49.2ft	52.5ft	55.8ft	59.1ft	62.3ft	65.6ft
1194lx	298lx	133lx	75lx	48lx	33lx	24lx	19lx	15lx	12lx	10lx	8lx	7lx	6lx	5lx	5lx	4lx	4lx	3lx	3lx
110.9fcd	27.7fcd	12.3fcd	6.9fcd	4.4fcd	3.1fcd	2.3fcd	1.7fcd	1.4fcd	1.1fcd	0.9fcd	0.8fcd	0.7fcd	0.6fcd	0.5fcd	0.4fcd	0.4fcd	0.3fcd	0.3fcd	0.3fcd

All the above information for fixtures with LED51TW-5020 modules are tested at 3000K

Factors to adjust lumen output for the following CCTs at 100% output for the colour are as follows:

2000K = 0.67

2700K = 0.84

3500K = 1.085

4000K = 1.113

5000K = 1.087