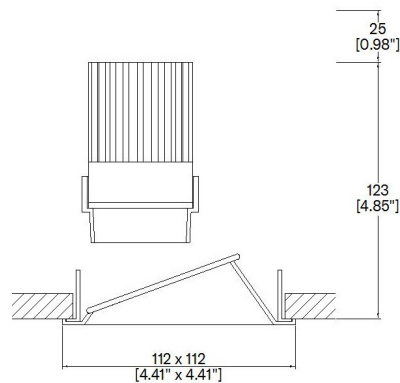


## ProSpex Plus Square Wallwash Trim



112 x 112mm (4.41" x 4.41") overall trim dimension.  
 0° - 30° vertical adjustment option as standard.  
 Available with standard trim kit or plaster-in kit for flush appearance. Family of matching products also available. Required depth height + 25mm<sup>^</sup>



090+LED-TR-WW-SQ  
 Cut-out 102x102mm

|                         |         |         |
|-------------------------|---------|---------|
| LED Source              | LED51WD | LED51WD |
| CCT                     | 3000K   | 3000K   |
| Drive Current           | 500mA   | 500mA   |
| Power inc Driver        | 17.1W   | 17.1W   |
| Beam Angle              | 39°     | 39°     |
| Angled at               | 0°      | 20°     |
| Delivered Lumens        | 445     | 466     |
| Delivered Intensisty cd | 441     | 471     |
| Efficacy lm/w           | 26      | 27      |
| Forward Volt            | 29.1V   | 29.1V   |
| CRI                     | ≥95 CRI | ≥95 CRI |

Project Ref: \_\_\_\_\_

Location Ref: \_\_\_\_\_

Fixture Order Code:  -  -  -

Fixture  
090+LED-TR-WW-SQ Plus Square Wallwash Trim with LED51

Finish  
WH White  
BK Black  
RAL Custom RAL Colour\*

IP Rating  
44 IP44

Emergency  
E Maintained 3hr Emergency  
ED Maintained 3hr DALI Self Test  
ES Maintained 3hr Self Test



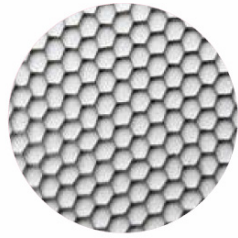
LED Order Code:  -  -  -

LED  
LED51WD LED50 ONE Ambiance WarmDim

CCT  
2720 2700K - 2000K  
3020 3000K - 2000K

Beam  
39 39°

Protocol  
S Non-Dim  
A Analogue (0-10v)  
P Phase  
D DALI  
B Bluetooth\*\*

**Honeycomb Louvre****Warm Tone**

Accessories Order Code:

Louvre/Lens

|      |                  |
|------|------------------|
| LL45 | Honeycomb Louvre |
| LLCC | Warm Tone Lens   |
| LLUV | UV Lens          |

## Technical Details

\*Custom RAL code must be specified. Custom RAL colours can increase prices and lead times

Dimming. Whilst Lucent can offer the majority of its luminaires with various dimming options, it remains the responsibility of the specifier/installer to check and ensure compatibility of any control equipment used. Additional cabling may be required depending on the dimming protocol specified.

\*\*Bluetooth (wireless) is the communication method. The exact dimming protocol must be confirmed to allow the selection of suitable drivers or bluetooth devices.

^ Depth indicated is the minimum recess depth for the luminaire with a remote mounted LED driver. Installing a driver through either the luminaire cut-out or installation kit may require additional recess depth, please refer to the relevant luminaire installation instructions for further details. Data correct at time of publishing

First Fix Requirement. Luminaire comprised of fixture body with ceiling trim and installation kit, which is to be fitted into the ceiling once finished. Ensure correct alignment of the installation kit before final assembly (see luminaire installation instructions for details)

IP Rating. Tested from underside of the ceiling

It is the policy of Lucent Lighting to continually review and improve its products and therefore reserve the right to change any details of product or withdraw specifications without prior notice.

Luminaires designed to comply with EN60598 and all other standards.

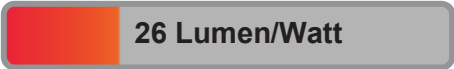
This specification sheet supersedes all previous versions.

All intellectual property rights pertaining to the product described above and to this document are owned by or licensed to Lucent Lighting Ltd.

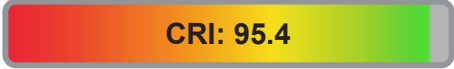
We reserve the right to take whatever action is necessary to protect those intellectual property rights.

Please notify Lucent Lighting Ltd of any inaccuracies immediately. E&OE

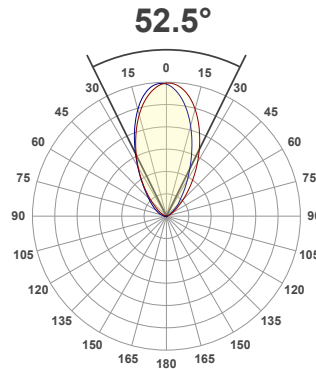
**Light efficiency:**



**Light quality:**



**Color temperature:**



**Product name:**

**090+LED-SQ-WW-0 Dgr Tilt - LED51WD-3020-39-500mA**

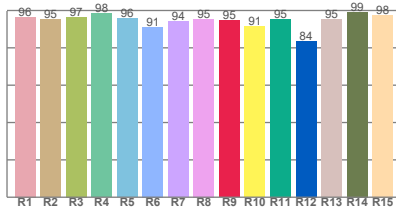
**Item number:**

**Plus Square Wallwash - LED51WD-3020-39-500mA**

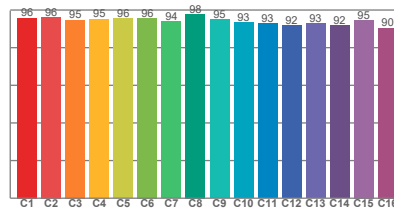
**Delivered information for above fixture and LED combination.**

**Output: 445 Lumen Peak intensity: 441 cd Power consumption: 17.1**

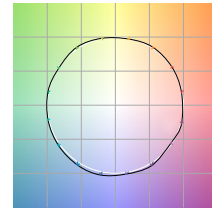
**CRI R values**



**TM30 C Values**

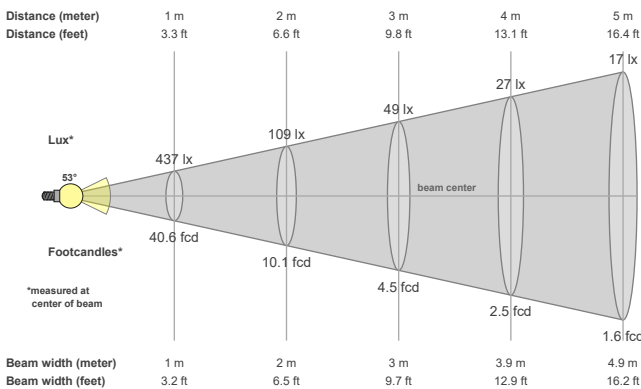


**Color vector graphics**



| Color temperature | Color rendering index | Red component | Color fidelity | Color gamut | Color quality scale | Color coordinate cie 1931 | Color coordinate cie 1931 | Color coordinate | Color coordinate | Color deviation from black body |
|-------------------|-----------------------|---------------|----------------|-------------|---------------------|---------------------------|---------------------------|------------------|------------------|---------------------------------|
| CCT               | CRI                   | CRI R9        | TM30 Rf        | TM30 Rg     | CQS                 | x                         | y                         | u                | v                | Δuv                             |
| 3000 K            | 95.4                  | 94.6          | 94.5           | 102.3       | 94.1                | 0.437                     | 0.404                     | 0.257            | 0.343            | -0.0070                         |

**Beam details**



**Beam angles**

| Beam angle 50% | Field angle 10% | Cutoff angle 2,5% |
|----------------|-----------------|-------------------|
| 52.5°          | 105°            | 139.8°            |

**Beam intensities**

| Peak intensity | Int. ratio in 120° cone | Int. ratio in 90° cone |
|----------------|-------------------------|------------------------|
| 441 cd         | 93.6%                   | 80.7%                  |

**Beam intensities from 1-20m**

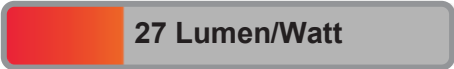
| 1m      | 2m      | 3m     | 4m     | 5m     | 6m     | 7m     | 8m     | 9m     | 10m    | 11m    | 12m    | 13m    | 14m    | 15m    | 16m    | 17m    | 18m    | 19m    | 20m    |
|---------|---------|--------|--------|--------|--------|--------|--------|--------|--------|--------|--------|--------|--------|--------|--------|--------|--------|--------|--------|
| 3.3ft   | 6.6ft   | 9.8ft  | 13.1ft | 16.4ft | 19.7ft | 23ft   | 26.2ft | 29.5ft | 32.8ft | 36.1ft | 39.4ft | 42.7ft | 45.9ft | 49.2ft | 52.5ft | 55.8ft | 59.1ft | 62.3ft | 65.6ft |
| 437lx   | 109lx   | 49lx   | 27lx   | 17lx   | 12lx   | 9lx    | 7lx    | 5lx    | 4lx    | 4lx    | 3lx    | 3lx    | 2lx    | 2lx    | 2lx    | 2lx    | 1lx    | 1lx    | 1lx    |
| 40.6fcd | 10.1fcd | 4.5fcd | 2.5fcd | 1.6fcd | 1.1fcd | 0.8fcd | 0.6fcd | 0.5fcd | 0.4fcd | 0.3fcd | 0.3fcd | 0.2fcd | 0.2fcd | 0.2fcd | 0.2fcd | 0.1fcd | 0.1fcd | 0.1fcd | 0.1fcd |

The above information is for 3000K colour temperature, for specific module information please see LED spec located on our website

For information regarding other colour temperatures please use the following factors for lumen output and candelas:

2700K = 0.93

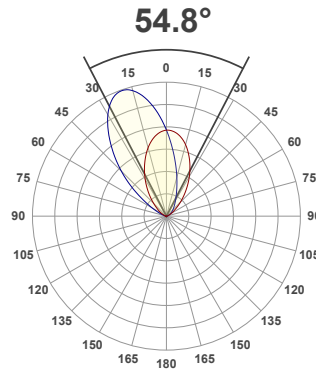
**Light efficiency:**



**Light quality:**



**Color temperature:**



**Product name:**

**090+LED-SQ-WW-20 Dgr Tilt - LED51WD-3020-39-500mA**

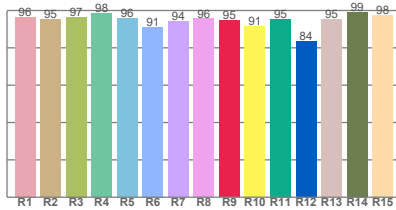
**Item number:**

**Plus Square Wallwash - LED51WD-3020-39-500mA**

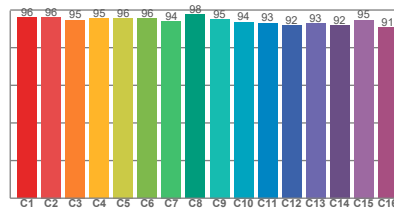
**Delivered information for above fixture and LED combination.**

**Output: 466 Lumen Peak intensity: 471 cd Power consumption: 17.1**

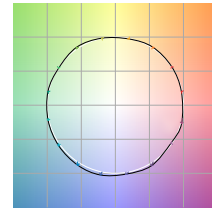
**CRI R values**



**TM30 C Values**

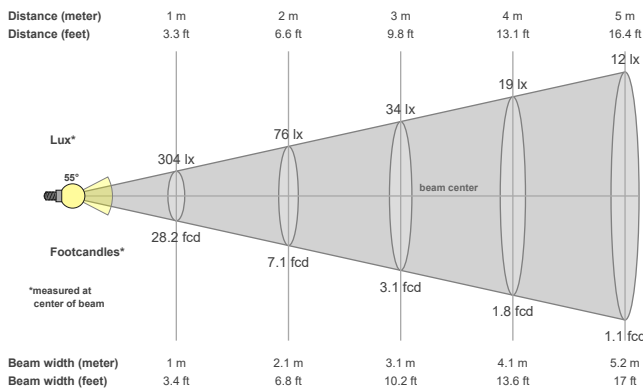


**Color vector graphics**



| Color temperature | Color rendering index | Red component | Color fidelity | Color gamut | Color quality scale | Color coordinate cie 1931 | Color coordinate cie 1931 | Color coordinate | Color coordinate | Color deviation from black body |
|-------------------|-----------------------|---------------|----------------|-------------|---------------------|---------------------------|---------------------------|------------------|------------------|---------------------------------|
| CCT               | CRI                   | CRI R9        | TM30 Rf        | TM30 Rg     | CQS                 | x                         | y                         | u                | v                | Δuv                             |
| 3000 K            | 95.4                  | 94.7          | 94.5           | 102.4       | 94.1                | 0.437                     | 0.404                     | 0.257            | 0.343            | -0.0071                         |

**Beam details**



**Beam angles**

| Beam angle 50% | Field angle 10% | Cutoff angle 2,5% |
|----------------|-----------------|-------------------|
| 54.8°          | 106.7°          | 138.8°            |

**Beam intensities**

| Peak intensity | Int. ratio in 120° cone | Int. ratio in 90° cone |
|----------------|-------------------------|------------------------|
| 471 cd         | 94.0%                   | 76.5%                  |

**Beam intensities from 1-20m**

| 1m      | 2m     | 3m     | 4m     | 5m     | 6m     | 7m     | 8m     | 9m     | 10m    | 11m    | 12m    | 13m    | 14m    | 15m    | 16m    | 17m    | 18m    | 19m    | 20m    |
|---------|--------|--------|--------|--------|--------|--------|--------|--------|--------|--------|--------|--------|--------|--------|--------|--------|--------|--------|--------|
| 3.3ft   | 6.6ft  | 9.8ft  | 13.1ft | 16.4ft | 19.7ft | 23ft   | 26.2ft | 29.5ft | 32.8ft | 36.1ft | 39.4ft | 42.7ft | 45.9ft | 49.2ft | 52.5ft | 55.8ft | 59.1ft | 62.3ft | 65.6ft |
| 304lx   | 76lx   | 34lx   | 19lx   | 12lx   | 8lx    | 6lx    | 5lx    | 4lx    | 3lx    | 3lx    | 2lx    | 2lx    | 2lx    | 1lx    | 1lx    | 1lx    | 1lx    | 1lx    | 1lx    |
| 28.2fcd | 7.1fcd | 3.1fcd | 1.8fcd | 1.1fcd | 0.8fcd | 0.6fcd | 0.4fcd | 0.3fcd | 0.3fcd | 0.2fcd | 0.2fcd | 0.2fcd | 0.1fcd | 0.1fcd | 0.1fcd | 0.1fcd | 0.1fcd | 0.1fcd | 0.1fcd |

The above information is for 3000K colour temperature, for specific module information please see LED spec located on our website

For information regarding other colour temperatures please use the following factors for lumen output and candelas:

2700K = 0.93