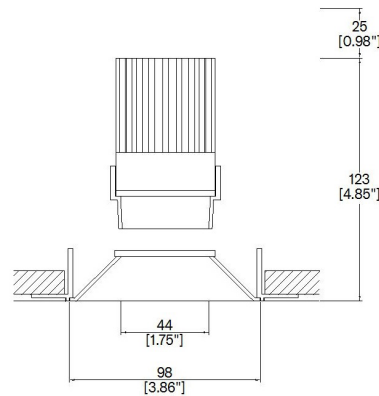


ProSpex Plus Conical Fixed Trimless



98mm (3.86") overall trimless diameter. Available with standard trim kit or plaster-in kit for flush appearance. Family of matching products also available. Required depth height + 25mm^



090+LED-TL
Cut-out 102mm Ø

| | | |
|---------------------------------|---------|---------|
| LED Source | LED51TW | LED51TW |
| CCT range | @ 3000K | @ 3000K |
| Drive Current (max per channel) | 700mA | 700mA |
| Power inc Driver Max | 15.1W | 15.1W |
| Beam Angle | 25° | 35° |
| Delivered Lumens | 501 | 584 |
| Delivered Intensity cd | 2165 | 1317 |
| Efficacy lm/w | 33 | 39 |
| Forward Volt (max per channel) | 18.4V | 18.4V |
| CRI | ≥95 CRI | ≥95 CRI |

Project Ref: _____

Location Ref: _____

Fixture Order Code:

| | | | | | | |
|------------|---|--|---|--|---|--|
| 090+LED-TL | - | | - | | - | |
|------------|---|--|---|--|---|--|

Fixture
090+LED-TL

Plus Conical Fixed Trimless with LED51

Finish
WH
BK
RAL

White
Black
Custom RAL Colour*

IP Rating
44

IP44

Emergency
E
ED
ES

Maintained 3hr Emergency
Maintained 3hr DALI Self Test
Maintained 3hr Self Test



LED Order Code:

| | | | | | | |
|---------|---|------|---|--|---|--|
| LED51TW | - | 5020 | - | | - | |
|---------|---|------|---|--|---|--|

LED
LED51TW

LED50 ONE Tuneable White

CCT
5020

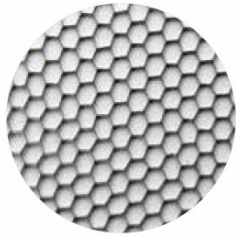
5000K - 2000K

Beam
25
35

25°
35°

Protocol
D6
D8
B

DALI Type 6**
DALI Type 8**
Bluetooth***



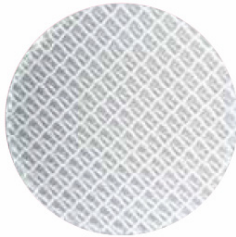
Honeycomb Louvre



Diffusing Lens



Frosted Lens



Heavy Spread Lens



Linear Spread Lens



Warm Tone

Accessories Order Code:

Louvre/Lens

- LL45 Honeycomb Louvre
- LLCC Warm Tone Lens
- LLUV UV Lens
- LLDF Diffusing Lens
- LLFR Frosted Lens
- LLLS Linear Spread Lens
- LLHS Heavy Spread Lens

Technical Details

*Custom RAL code must be specified. Custom RAL colours can increase prices and lead times

Dimming. Whilst Lucent can offer the majority of its luminaires with various dimming options, it remains the responsibility of the specifier/installer to check and ensure compatibility of any control equipment used. Additional cabling may be required depending on the dimming protocol specified.

**DALI Type 6 requires two DALI addresses, one for CCT control the other for Intesity control. DALI Type 8 is a single DALI Type 8 address for CCT and Intesity control. Please check which control system is being used before specifying.

***Bluetooth (wireless) is the communication method. The exact dimming protocol must be confirmed to allow the selection of suitable drivers or bluetooth devices.

^ Depth indicated is the minimum recess depth for the luminaire with a remote mounted LED driver. Installing a driver through either the luminaire cut-out or installation kit may require additional recess depth, please refer to the relevant luminaire installation instructions for further details.Data correct at time of publishing

First Fix Requirement. Luminaire comprised of fixture body with ceiling trim and installation kit, which is to be fitted into the ceiling once finished. Ensure correct alignment of the installation kit before final assembly (see luminaire instllation instructions for details)

IP Rating. Tested from underside of the ceiling

It is the policy of Lucent Lighting to continually review and improve its products and therefore reserve the right to change any details of product or withdraw specifications without prior notice.

Luminaires designed to comply with EN60598 and all other standards.

This specification sheet superseded all previous versions.

All intellectual property rights pertaining to the product described above and to this document are owned by or licensed to Lucent Lighting Ltd.

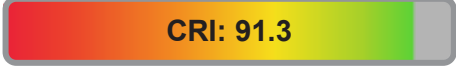
We reserve the right to take whatever action is necessary to protect those intellectual property rights.

Please notify Lucent Lighting Ltd of any inaccuracies immediately. E&OE

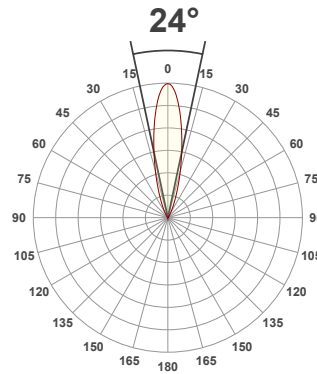
Light efficiency:



Light quality:



Color temperature:



Product name:

090+LED - LED51TW-5020-25 @ 3000K

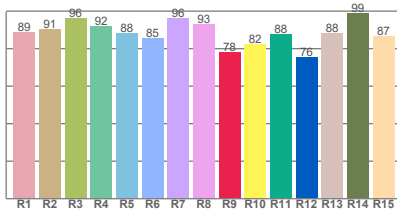
Item number:

Plus Conical Fixed - LED51TW-5020-25 @ 3000K

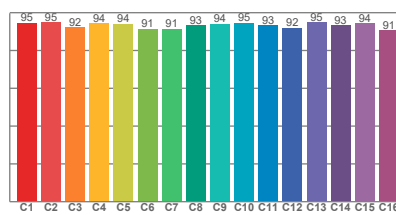
Delivered information for above fixture and LED combination.

Output: 501 Lumen Peak intensity: 2165 cd Power consumption: 15.1

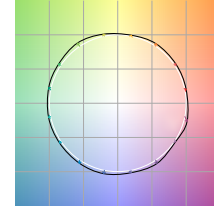
CRI R values



TM30 C Values

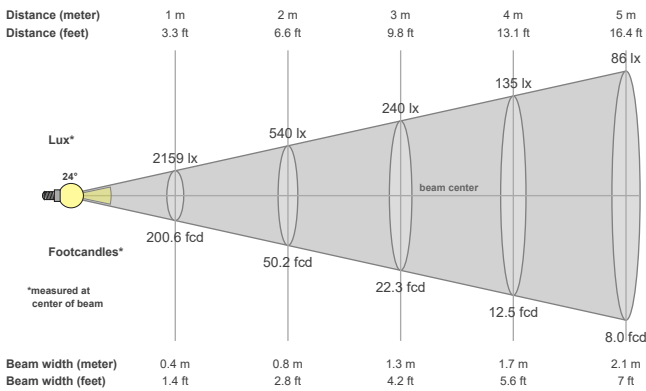


Color vector graphics



| Color temperature | Color rendering index | Red component | Color fidelity | Color gamut | Color quality scale | Color coordinate cie 1931 | Color coordinate cie 1931 | Color coordinate | Color coordinate | Color deviation from black body |
|-------------------|-----------------------|---------------|----------------|-------------|---------------------|---------------------------|---------------------------|------------------|------------------|---------------------------------|
| CCT | CRI | CRI R9 | TM30 Rf | TM30 Rg | CQS | x | y | u | v | Δuv |
| 3000 K | 91.3 | 78.2 | 93.5 | 106.9 | 93.4 | 0.437 | 0.404 | 0.258 | 0.336 | -0.0131 |

Beam details



Beam angels

| Beam angle 50% | Field angle 10% | Cutoff angle 2,5% |
|----------------|-----------------|-------------------|
| 24° | 48.5° | 65.2° |

Beam intensities

| Peak intensity | Int. ratio in 120° cone | Int. ratio in 90° cone |
|----------------|-------------------------|------------------------|
| 2165 cd | 99.6% | 98.7% |

Beam intensities from 1-20m

| 1m | 2m | 3m | 4m | 5m | 6m | 7m | 8m | 9m | 10m | 11m | 12m | 13m | 14m | 15m | 16m | 17m | 18m | 19m | 20m |
|----------|---------|---------|---------|--------|--------|--------|--------|--------|--------|--------|--------|--------|--------|--------|--------|--------|--------|--------|--------|
| 3.3ft | 6.6ft | 9.8ft | 13.1ft | 16.4ft | 19.7ft | 23ft | 26.2ft | 29.5ft | 32.8ft | 36.1ft | 39.4ft | 42.7ft | 45.9ft | 49.2ft | 52.5ft | 55.8ft | 59.1ft | 62.3ft | 65.6ft |
| 2159lx | 540lx | 240lx | 135lx | 86lx | 60lx | 44lx | 34lx | 27lx | 22lx | 18lx | 15lx | 13lx | 11lx | 10lx | 8lx | 7lx | 7lx | 6lx | 5lx |
| 200.6fcd | 50.2fcd | 22.3fcd | 12.5fcd | 8fcd | 5.6fcd | 4.1fcd | 3.1fcd | 2.5fcd | 2fcd | 1.7fcd | 1.4fcd | 1.2fcd | 1fcd | 0.9fcd | 0.8fcd | 0.7fcd | 0.6fcd | 0.6fcd | 0.5fcd |

All the above information for fixtures with LED51TW-5020 modules are tested at 3000K

Factors to adjust lumen output for the following CCTs at 100% output for the colour are as follows:

2000K = 0.67

2700K = 0.84

3500K = 1.085

4000K = 1.113

5000K = 1.087

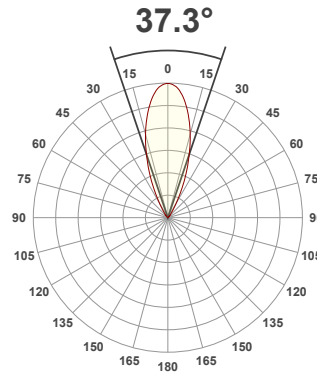
Light efficiency:



Light quality:



Color temperature:



Product name:

090+LED - LED51TW-5020-35 @ 3000K

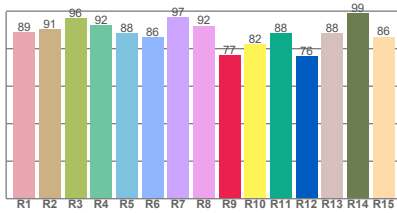
Item number:

Plus Conical Fixed - LED51TW-5020-35 @ 3000K

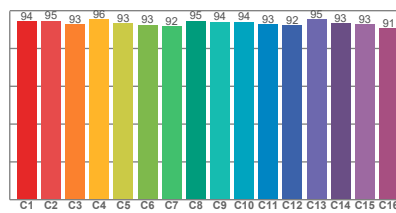
Delivered information for above fixture and LED combination.

Output: 584 Lumen Peak intensity: 1317 cd Power consumption: 15.1

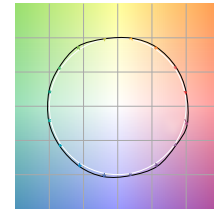
CRI R values



TM30 C Values

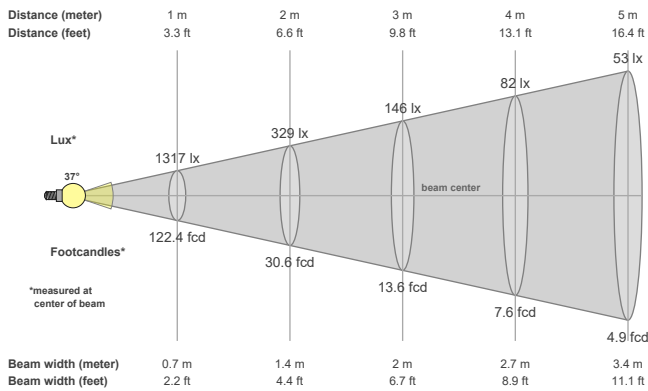


Color vector graphics



| Color temperature | Color rendering index | Red component | Color fidelity | Color gamut | Color quality scale | Color coordinate cie 1931 | Color coordinate cie 1931 | Color coordinate | Color coordinate | Color deviation from black body |
|-------------------|-----------------------|---------------|----------------|-------------|---------------------|---------------------------|---------------------------|------------------|------------------|---------------------------------|
| CCT | CRI | CRI R9 | TM30 Rf | TM30 Rg | CQS | x | y | u | v | Δuv |
| 3000 K | 91.4 | 76.7 | 93.6 | 106.3 | 93.9 | 0.437 | 0.404 | 0.254 | 0.335 | -0.0131 |

Beam details



Beam angels

| Beam angle 50% | Field angle 10% | Cutoff angle 2,5% |
|----------------|-----------------|-------------------|
| 37.3° | 62.8° | 83.3° |

Beam intensities

| Peak intensity | Int. ratio in 120° cone | Int. ratio in 90° cone |
|----------------|-------------------------|------------------------|
| 1317 cd | 99.3% | 97.5% |

Beam intensities from 1-20m

| 1m | 2m | 3m | 4m | 5m | 6m | 7m | 8m | 9m | 10m | 11m | 12m | 13m | 14m | 15m | 16m | 17m | 18m | 19m | 20m |
|----------|---------|---------|--------|--------|--------|--------|--------|--------|--------|--------|--------|--------|--------|--------|--------|--------|--------|--------|--------|
| 3.3ft | 6.6ft | 9.8ft | 13.1ft | 16.4ft | 19.7ft | 23ft | 26.2ft | 29.5ft | 32.8ft | 36.1ft | 39.4ft | 42.7ft | 45.9ft | 49.2ft | 52.5ft | 55.8ft | 59.1ft | 62.3ft | 65.6ft |
| 1317lx | 329lx | 146lx | 82lx | 53lx | 37lx | 27lx | 21lx | 16lx | 13lx | 11lx | 9lx | 8lx | 7lx | 6lx | 5lx | 5lx | 4lx | 4lx | 3lx |
| 122.4fcd | 30.6fcd | 13.6fcd | 7.6fcd | 4.9fcd | 3.4fcd | 2.5fcd | 1.9fcd | 1.5fcd | 1.2fcd | 1fcd | 0.8fcd | 0.7fcd | 0.6fcd | 0.5fcd | 0.5fcd | 0.4fcd | 0.4fcd | 0.3fcd | 0.3fcd |

All the above information for fixtures with LED51TW-5020 modules are tested at 3000K

Factors to adjust lumen output for the following CCTs at 100% output for the colour are as follows:

2000K = 0.67

2700K = 0.84

3500K = 1.085

4000K = 1.113

5000K = 1.087