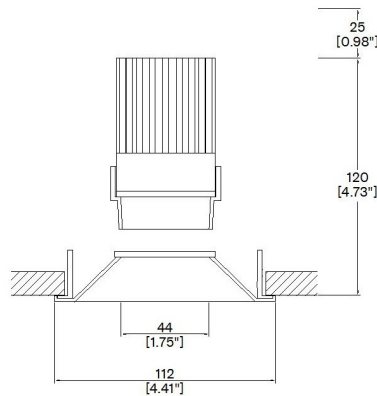


## ProSpex Plus Conical Fixed Trim



112mm (4.41") overall trim diameter. Available with standard trim kit or plaster-in kit for flush appearance. Family of matching products also available. Required depth height + 25mm^



090+LED-TR  
Cut-out 102mm Ø

LED Source	LED51WD	LED51WD
CCT	3000K	3000K
Drive Current	500mA	500mA
Power inc Driver	17.1W	17.1W
Beam Angle	28°	39°
Delivered Lumens	576	635
Delivered Intensisty cd	2091	1326
Efficacy lm/w	34	37
Forward Volt	29.1V	29.1V
CRI	≥95 CRI	≥95 CRI

Test results at full output

Project Ref: \_\_\_\_\_

Location Ref: \_\_\_\_\_

### Fixture Order Code:

090+LED-TR -  -  -

#### Fixture

090+LED-TR Plus Conical Fixed Trim with LED51

#### Finish

WH White  
 BK Black  
 BK-WH Black inner, White trim (as shown below)  
 RAL Custom RAL Colour\*

#### IP Rating

44 IP44

#### Emergency

E Maintained 3hr Emergency  
 ED Maintained 3hr DALI Self Test  
 ES Maintained 3hr Self Test



### LED Order Code:

LED51WD -  -  -

LED  
LED51WD

LED50 ONE Ambiance WarmDim

#### CCT

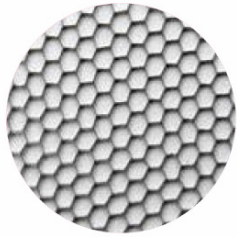
2720 2700K - 2000K  
 3020 3000K - 2000K

#### Beam

28 28°  
 39 39°

#### Protocol

S Non-Dim  
 A Analogue (0-10v)  
 P Phase  
 D DALI  
 B Bluetooth\*\*



**Honeycomb Louvre**



**Diffusing Lens**



**Frosted Lens**



**Heavy Spread Lens**



**Linear Spread Lens**



**Warm Tone**

Accessories Order Code:

**Louvre/Lens**

- LL45 Honeycomb Louvre
- LLCC Warm Tone Lens
- LLUV UV Lens
- LLDF Diffusing Lens
- LLFR Frosted Lens
- LLLS Linear Spread Lens
- LLHS Heavy Spread Lens

## Technical Details

\*Custom RAL code must be specified. Custom RAL colours can increase prices and lead times

Dimming. Whilst Lucent can offer the majority of its luminaires with various dimming options, it remains the responsibility of the specifier/installer to check and ensure compatibility of any control equipment used. Additional cabling may be required depending on the dimming protocol specified.

\*\*Bluetooth (wireless) is the communication method. The exact dimming protocol must be confirmed to allow the selection of suitable drivers or bluetooth devices.

^ Depth indicated is the minimum recess depth for the luminaire with a remote mounted LED driver. Installing a driver through either the luminaire cut-out or installation kit may require additional recess depth, please refer to the relevant luminaire installation instructions for further details. Data correct at time of publishing

First Fix Requirement. Luminaire comprised of fixture body with ceiling trim and installation kit, which is to be fitted into the ceiling once finished. Ensure correct alignment of the installation kit before final assembly (see luminaire installation instructions for details)

IP Rating. Tested from underside of the ceiling

It is the policy of Lucent Lighting to continually review and improve its products and therefore reserve the right to change any details of product or withdraw specifications without prior notice.

Luminaires designed to comply with EN60598 and all other standards.

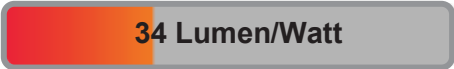
This specification sheet superseded all previous versions.

All intellectual property rights pertaining to the product described above and to this document are owned by or licensed to Lucent Lighting Ltd.

We reserve the right to take whatever action is necessary to protect those intellectual property rights.

Please notify Lucent Lighting Ltd of any inaccuracies immediately. E&OE

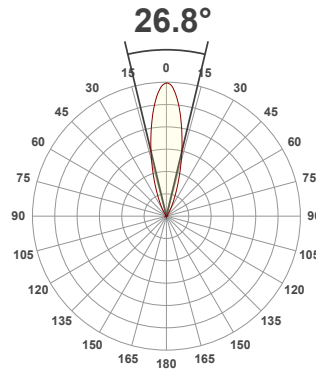
**Light efficiency:**



**Light quality:**



**Color temperature:**



**Product name:**

**090+LED - LED51WD-3020-28-500mA**

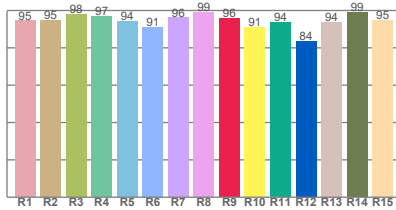
**Item number:**

**Plus Conical Fixed - LED51WD-3020-28-500mA**

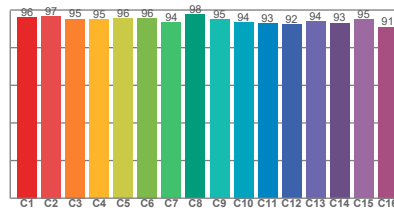
**Delivered information for above fixture and LED combination.**

**Output: 576 Lumen Peak intensity: 2091 cd Power consumption: 17.1**

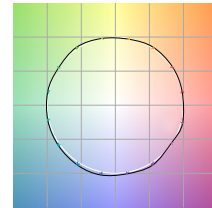
**CRI R values**



**TM30 C Values**

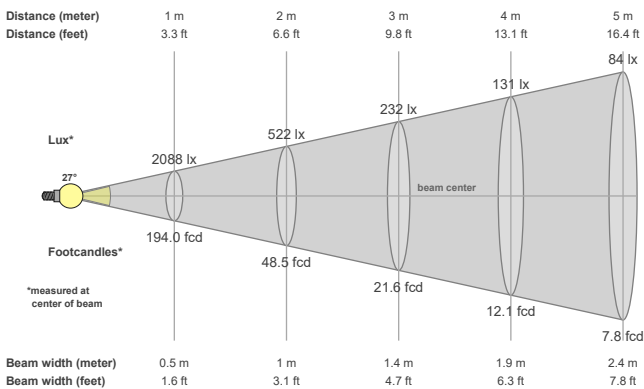


**Color vector graphics**



Color temperature	Color rendering index	Red component	Color fidelity	Color gamut	Color quality scale	Color coordinate cie 1931	Color coordinate cie 1931	Color coordinate	Color coordinate	Color deviation from black body
CCT	CRI	CRI R9	TM30 Rf	TM30 Rg	CQS	x	y	u	v	Δuv
3000 K	95.5	95.8	94.7	102.9	94.8	0.437	0.404	0.256	0.342	-0.0068

**Beam details**



**Beam angles**

Beam angle 50%	Field angle 10%	Cutoff angle 2,5%
26.8°	53.1°	69.7°

**Beam intensities**

Peak intensity	Int. ratio in 120° cone	Int. ratio in 90° cone
2091 cd	99.7%	99.2%

**Beam intensities from 1-20m**

1m	2m	3m	4m	5m	6m	7m	8m	9m	10m	11m	12m	13m	14m	15m	16m	17m	18m	19m	20m
3.3ft	6.6ft	9.8ft	13.1ft	16.4ft	19.7ft	23ft	26.2ft	29.5ft	32.8ft	36.1ft	39.4ft	42.7ft	45.9ft	49.2ft	52.5ft	55.8ft	59.1ft	62.3ft	65.6ft
2088lx	522lx	232lx	131lx	84lx	58lx	43lx	33lx	26lx	21lx	17lx	15lx	12lx	11lx	9lx	8lx	7lx	6lx	6lx	5lx
194fcd	48.5fcd	21.6fcd	12.1fcd	7.8fcd	5.4fcd	4fcd	3fcd	2.4fcd	1.9fcd	1.6fcd	1.3fcd	1.1fcd	1fcd	0.9fcd	0.8fcd	0.7fcd	0.6fcd	0.5fcd	0.5fcd

The above information is for 3000K colour temperature, for specific module information please see LED spec located on our website

For information regarding other colour temperatures please use the following factors for lumen output and candelas:

2700K = 0.93

**Light efficiency:**

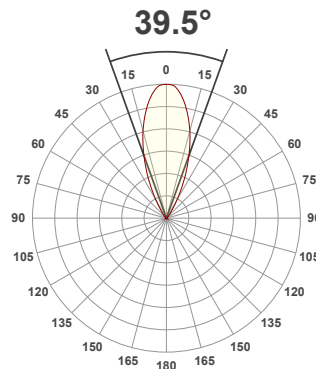
**37 Lumen/Watt**

**Light quality:**

**CRI: 95.5**

**Color temperature:**

**3000 K**



**Product name:**

**090+LED - LED51WD-3020-39-500mA**

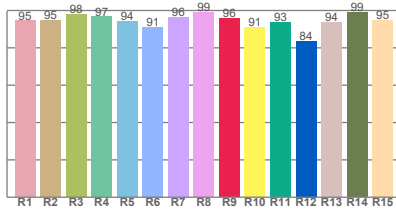
**Item number:**

**Plus Conical Fixed - LED51WD-3020-39-500mA**

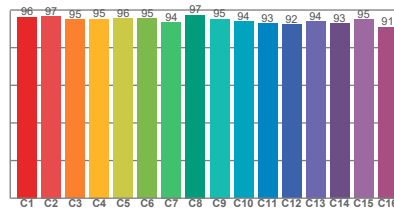
**Delivered information for above fixture and LED combination.**

**Output: 635 Lumen    Peak intensity: 1326 cd    Power consumption: 17.1**

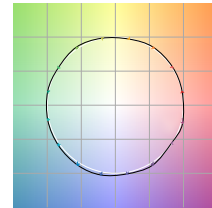
**CRI R values**



**TM30 C Values**

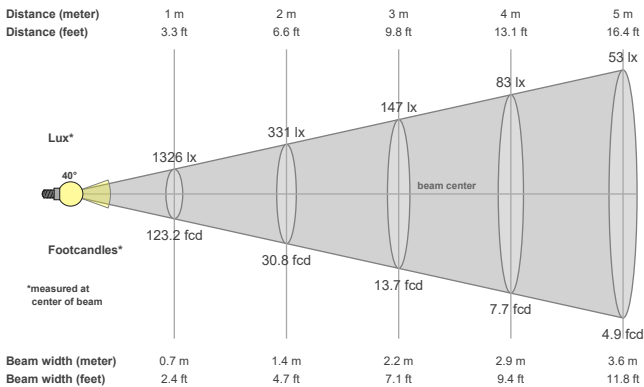


**Color vector graphics**



Color temperature	Color rendering index	Red component	Color fidelity	Color gamut	Color quality scale	Color coordinate cie 1931	Color coordinate cie 1931	Color coordinate	Color coordinate	Color deviation from black body
CCT	CRI	CRI R9	TM30 Rf	TM30 Rg	CQS	x	y	u	v	Δuv
3000 K	95.5	95.8	94.7	103.1	94.7	0.437	0.404	0.257	0.343	-0.0069

**Beam details**



**Beam angles**

Beam angle 50%	Field angle 10%	Cutoff angle 2,5%
39.5°	66.2°	84.7°

**Beam intensities**

Peak intensity	Int. ratio in 120° cone	Int. ratio in 90° cone
1326 cd	99.7%	98.8%

**Beam intensities from 1-20m**

1m	2m	3m	4m	5m	6m	7m	8m	9m	10m	11m	12m	13m	14m	15m	16m	17m	18m	19m	20m
3.3ft	6.6ft	9.8ft	13.1ft	16.4ft	19.7ft	23ft	26.2ft	29.5ft	32.8ft	36.1ft	39.4ft	42.7ft	45.9ft	49.2ft	52.5ft	55.8ft	59.1ft	62.3ft	65.6ft
1326lx	331lx	147lx	83lx	53lx	37lx	27lx	21lx	16lx	13lx	11lx	9lx	8lx	7lx	6lx	5lx	5lx	4lx	4lx	3lx
123.2fcd	30.8fcd	13.7fcd	7.7fcd	4.9fcd	3.4fcd	2.5fcd	1.9fcd	1.5fcd	1.2fcd	1fcd	0.9fcd	0.7fcd	0.6fcd	0.5fcd	0.5fcd	0.4fcd	0.4fcd	0.3fcd	0.3fcd

The above information is for 3000K colour temperature, for specific module information please see LED spec located on our website

For information regarding other colour temperatures please use the following factors for lumen output and candelas:

2700K = 0.93