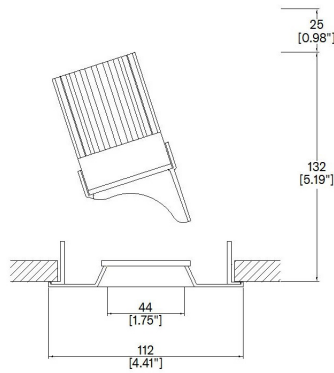


Plus3.5 Bevel Accent Non-Locking



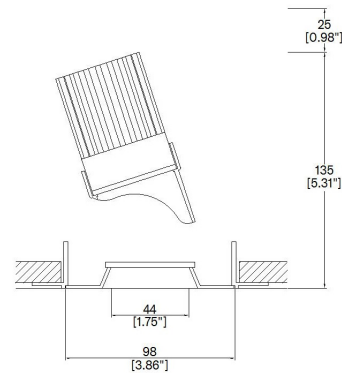
Plus provides high performance electronics and architectural aesthetics in round and square 3.5" and 5" trim. Plus products include adjustable, fixed and wallwash in a flanged or trimless installation kit. Adjustable can be provided with gear driven adjustment or manual adjustment. Available in various front plates (Conical, Bevel, Edge, Pyramidal and Square Bevel) Bevel and Square Bevel available with various color inserts. Tray, retrofit and housing installation methods (NIC, IC, AT, T24 and CCEA) Multiple configurations for equal spacing also available. Lucent modules available in a wide range of color temperatures, beam angles, intensities, and effects (Ambiance WarmDim and Dynamic Tuneable White). MR16 and GU10 LED lamp options available. TRIAC/Phase, 0-10v/1-10v, DMX and DALI/Digital dimming.



A093+13-NL-LED-TR
359° rotation. Up to 45° tilt.
Cut-out 102mm (4.02") Ø



Installation kit for overlap flange



A093+13-NL-LED-TL
359° rotation. Up to 45° tilt.
Cut-out 102mm (4.02") Ø



Mud-in kit for seamless/trimless

LED Source	LED51WD	LED51WD
CCT	3000K	3000K
Drive Current	500mA	500mA
Power inc Driver	17.1W	17.1W
Beam Angle	28°	39°
Delivered Lumens	520	574
Delivered Intensity cd	2048	1285
Efficacy lm/w	30	34
Forward Volt	29.1V	29.1V
CRI	≥95 CRI	≥95 CRI

Test results at full output

Project Ref: _____

Location Ref: _____

Specify fixture part number (All boxes must be filled in to correctly order)

A093+13-NL-LED					LED51WD									
-----------------------	--	--	--	--	----------------	--	--	--	--	--	--	--	--	--

Installation

- TR** Flange kit
- TL** Mud-in kit

Finish

- WH** White
- BK** Black
- RAL** Custom*

Location

- XX** Dry
- DP** Damp
- WT** Wet

Ceiling Thickness

- SC** Standard Ceiling (1/2"-5/8"-3/4")
- C** Custom

LED Type

- LED51WD** LED51WD (95CRI)

CCT

- 2720** 2700K - 2000K
- 3020** 3000K - 2000K

Beam Angles

- 28** 28
- 39** 39

Housing/Tray

- LMT-13-NIC** Mounting Tray Non-Insulated ceilings
- LH-6.75-NIC** Housing 6.75" Non-Insulated ceilings
- LH-8.50-AT/IC** Housing 8.50" Insulated/Air-tight ceilings and Chicago Plenum

Mounting Hardware

- 09** 9" to 15.25" - Adjustable Bar Hanger Lengths
- 14** 14" to 24" - Adjustable Bar Hanger Lengths
- 36** 28" to 36" - Adjustable Bar Hanger Lengths
- BB** Butterfly Bracket
- CB** Caterpillar Bracket

Supply Voltage

- 120** 120V
- 277** 277V

Dimming Protocol

- S** Non-Dimmable
- P** TRIAC/Phase (120V ONLY) (25-10% Minimum Dimming)***
- LP** Lutron Forward Phase 2-Wire (1% Dimming) (120V ONLY)
- ESS** EcoSystem 5-Series (5% Dimming)
- LHE** EcoSystem Hi-Lume Fade to Black (1% Dimming)
- LAE** Lutron 3-Wire Hi-Lume (1% Dimming)
- LHP** Lutron Hi-Lume Premier EcoSystem (0.1% Dimming)
- A** 0-10V (15-5% Minimum Dimming)***
- B** Bluetooth**

Emergency

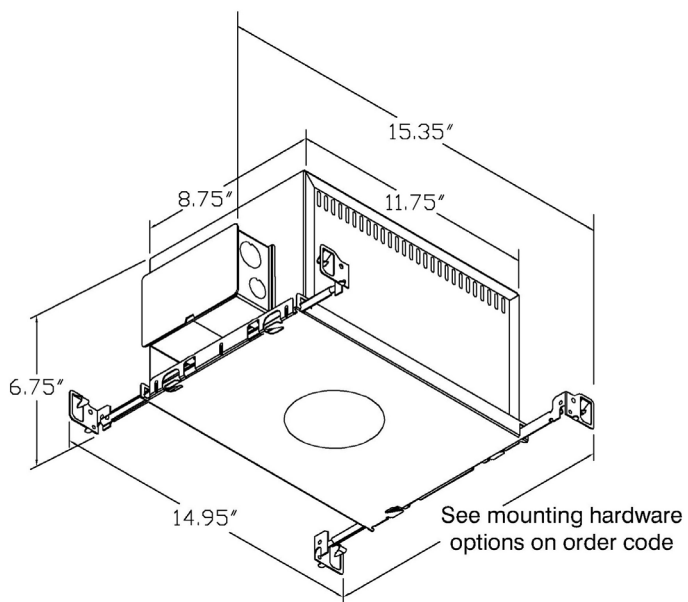
- E** 3hr Emergency
- ES** 3hr Self Test

Louvre/Lens

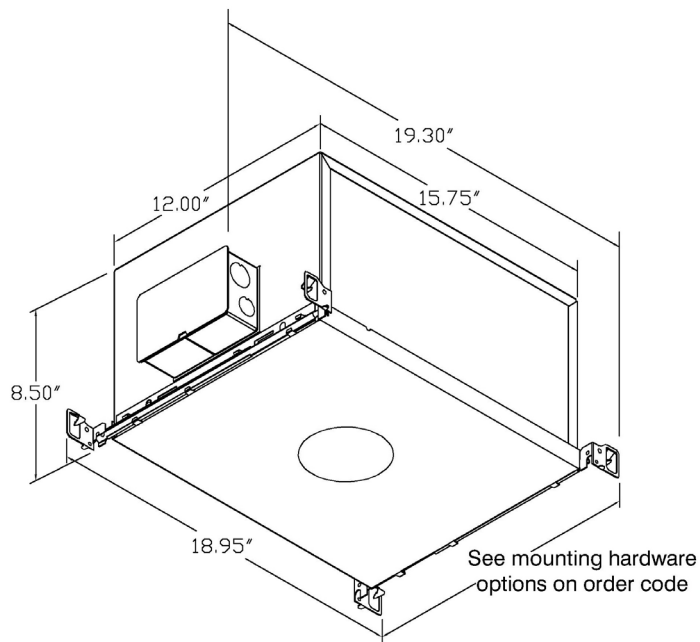
- XX** Not required
- LL45** Honeycomb
- LLCC** Warm Tone
- LLUV** UV
- LLDF** Solite/Diffusing
- LLFR** Frosted Lens
- LLLS** Linear Spread
- LLHS** Heavy Spread

*Refer to Technical Details for more information

Housing dimensions

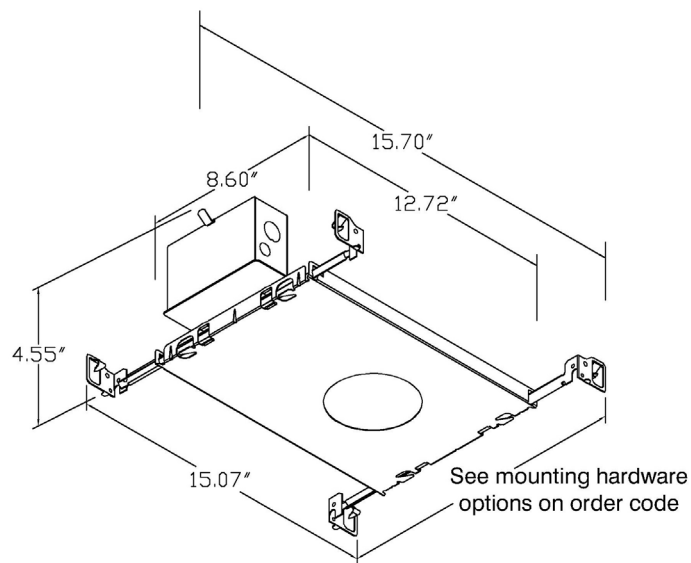


LH-6.75
Non-insulated ceilings



LH-8.50
Insulated/air-tight ceilings and
Chicago Plenum

Tray dimensions



LMT-13
Non-insulated ceilings



Honeycomb Louvre (LL45)



Solite/Diffusing Lens (LLDF)



Frosted Lens (LLFR)



Heavy Spread Lens (LLHS)



Linear Spread Lens (LLLS)



Warm Tone (LLCC)

Technical Details

*Custom color requires a paint chip or RAL code and may increase price and lead-time

It is the responsibility of the specifier/integrator/installer to check and ensure compatibility of any control equipment used. Additional cabling may be required depending on the dimming protocol specified.

**Bluetooth (wireless) is a communication protocol. The exact dimming protocol must be confirmed to allow the selection of suitable drivers or Bluetooth devices.

***Non specific driver type, dimming performance depending on exact driver used. Contact Lucent Lighting for more information.

^ Depth indicated is the minimum recess depth for the luminaire with a remote mounted LED driver. Installing a driver through either the luminaire cut-out or installation kit may require additional recess depth, please refer to the relevant installation instructions prior to purchase.

First Fix Requirement. Luminaire comprised of fixture body with ceiling trim and installation kit, which is to be fitted into the ceiling once finished. Ensure correct alignment of the installation kit before final assembly (see luminaire installation instructions for details)

Location. Tested from underside of the ceiling.

Data correct at time of publishing. It is the policy of Lucent Lighting to continually review and improve its products and therefore reserve the right to change any details of product or withdraw specifications without prior notice.

This specification sheet supersedes all previous versions.

All intellectual property rights pertaining to the product described above and to this document are owned by or licensed to Lucent Lighting, Incorporated. Lucent Lighting reserves the right to take whatever action is necessary to protect its intellectual property, patents and trademarks

Please notify Lucent Lighting Inc. inaccuracies. E&OE



Light efficiency:

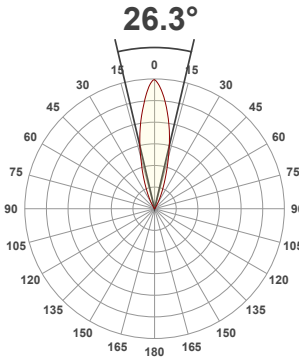
30 Lumen/Watt

Light quality:

CRI: 95.5

Color temperature:

3000 K



Product name:

093+NL-13-LED - LED51WD-3020-28-500mA

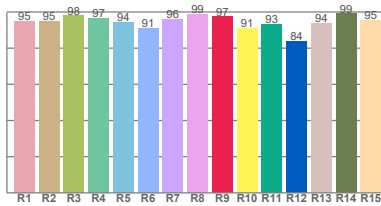
Item number:

Plus Square Bevel Non-Locking Accent - LED51WD-3020-28-500mA

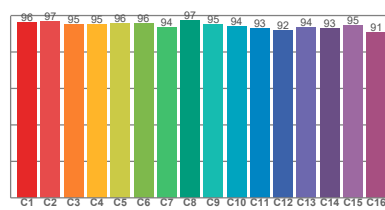
Delivered information for above fixture and LED combination.

Output: 520 Lumen Peak intensity: 2048 cd Power consumption: 17.1

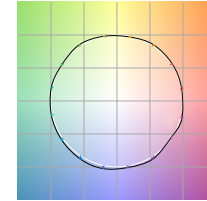
CRI R values



TM30 C Values

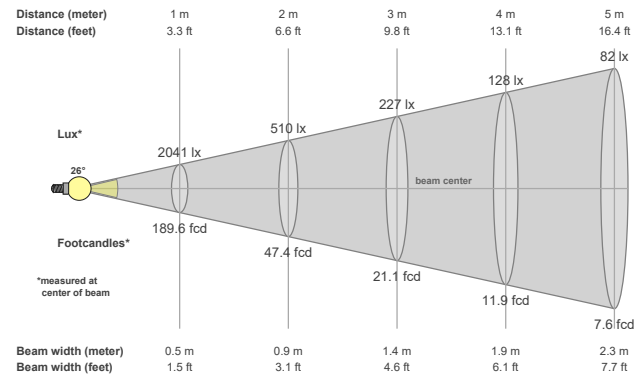


Color vector graphics



Color temperature	Color rendering index	Red component	Color fidelity	Color gamut	Color quality scale	Color coordinate cie 1931	Color coordinate cie 1931	Color coordinate	Color coordinate	Color deviation from black body
CCT	CRI	CRI R9	TM30 Rf	TM30 Rg	CQS	x	y	u	v	Δuv
3000 K	95.5	97.3	94.7	102.8	94.8	0.437	0.404	0.257	0.343	-0.0065

Beam details



Beam angles

Beam angle 50%	Field angle 10%	Cutoff angle 2,5%
26.3°	51.8°	64.3°

Beam intensities

Peak intensity	Int. ratio in 120° cone	Int. ratio in 90° cone
2048 cd	99.7%	99.5%

Beam intensities from 1-20m

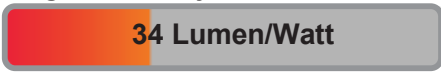
1m	2m	3m	4m	5m	6m	7m	8m	9m	10m	11m	12m	13m	14m	15m	16m	17m	18m	19m	20m
3.3ft	6.6ft	9.8ft	13.1ft	16.4ft	19.7ft	23ft	26.2ft	29.5ft	32.8ft	36.1ft	39.4ft	42.7ft	45.9ft	49.2ft	52.5ft	55.8ft	59.1ft	62.3ft	65.6ft
2041lx	510lx	227lx	128lx	82lx	57lx	42lx	32lx	25lx	20lx	17lx	14lx	12lx	10lx	9lx	8lx	7lx	6lx	6lx	5lx
189.6fcd	47.4fcd	21.1fcd	11.9fcd	7.6fcd	5.3fcd	3.9fcd	3fcd	2.3fcd	1.9fcd	1.6fcd	1.3fcd	1.1fcd	1fcd	0.8fcd	0.7fcd	0.7fcd	0.6fcd	0.5fcd	0.5fcd

The above information is for 3000K colour temperature, for specific module information please see LED spec located on our website

For information regarding other colour temperatures please use the following factors for lumen output and candelas:

2700K = 0.93

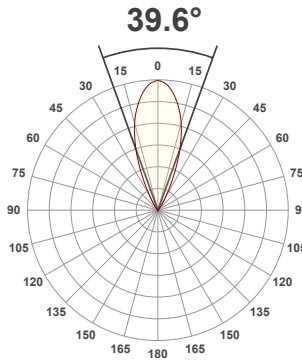
Light efficiency:



Light quality:



Color temperature:



Product name:

093+NL-13-LED - LED51WD-3020-39-500mA

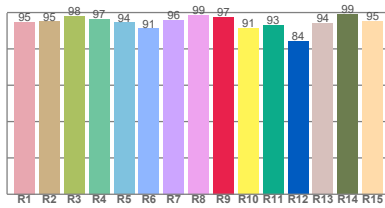
Item number:

Plus Bevel Non-Locking Accent - LED51WD-3020-39-500mA

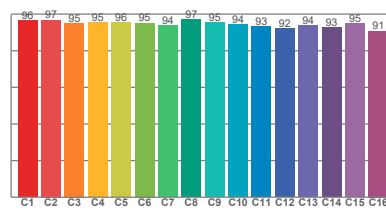
Delivered information for above fixture and LED combination.

Output: 574 Lumen Peak intensity: 1285 cd Power consumption: 17.1

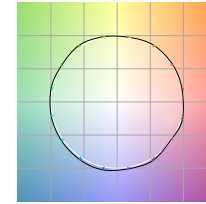
CRI R values



TM30 C Values

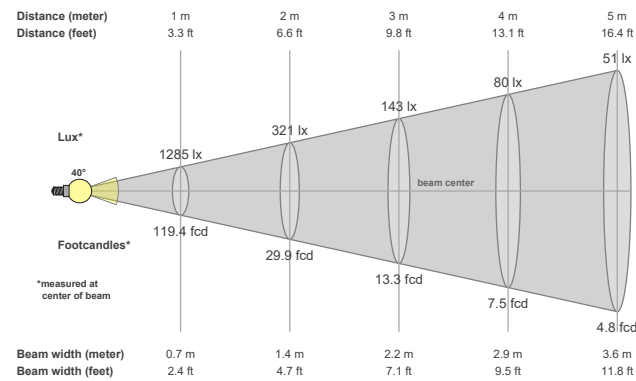


Color vector graphics



Color temperature	Color rendering index	Red component	Color fidelity	Color gamut	Color quality scale	Color coordinate cie 1931	Color coordinate cie 1931	Color coordinate	Color coordinate	Color deviation from black body
CCT	CRI	CRI R9	TM30 Rf	TM30 Rg	CQS	x	y	u	v	Δuv
3000 K	95.5	97.5	94.7	103.1	94.6	0.437	0.404	0.258	0.343	-0.0066

Beam details



Beam angles

Beam angle 50%	Field angle 10%	Cutoff angle 2,5%
39.6°	63.2°	77°

Beam intensities

Peak intensity	Int. ratio in 120° cone	Int. ratio in 90° cone
1285 cd	99.5%	99.3%

Beam intensities from 1-20m

1m	2m	3m	4m	5m	6m	7m	8m	9m	10m	11m	12m	13m	14m	15m	16m	17m	18m	19m	20m
3.3ft	6.6ft	9.8ft	13.1ft	16.4ft	19.7ft	23ft	26.2ft	29.5ft	32.8ft	36.1ft	39.4ft	42.7ft	45.9ft	49.2ft	52.5ft	55.8ft	59.1ft	62.3ft	65.6ft
1285lx	321lx	143lx	80lx	51lx	36lx	26lx	20lx	16lx	13lx	11lx	9lx	8lx	7lx	6lx	5lx	4lx	4lx	4lx	3lx
119.4fcd	29.9fcd	13.3fcd	7.5fcd	4.8fcd	3.3fcd	2.4fcd	1.9fcd	1.5fcd	1.2fcd	1fcd	0.8fcd	0.7fcd	0.6fcd	0.5fcd	0.5fcd	0.4fcd	0.4fcd	0.3fcd	0.3fcd

The above information is for 3000K colour temperature, for specific module information please see LED spec located on our website

For information regarding other colour temperatures please use the following factors for lumen output and candelas:

2700K = 0.93