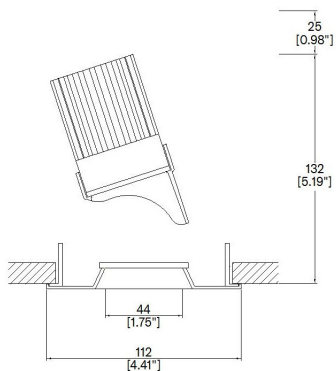


Plus3.5 Bevel Accent



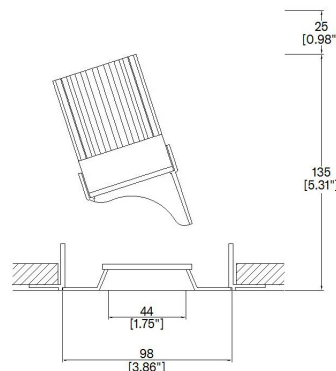
Plus provides high performance electronics and architectural aesthetics in round and square 3.5” and 5” trim. Plus products include adjustable, fixed and wallwash in a flanged or trimless installation kit. Adjustable can be provided with gear driven adjustment or manual adjustment. Available in various front plates (Conical, Bevel, Edge, Pyramidal and Square Bevel) Bevel and Square Bevel available with various color inserts. Tray, retrofit and housing installation methods (NIC, IC, AT, T24 and CCEA) Multiple configurations for equal spacing also available. Lucent modules available in a wide range of color temperatures, beam angles, intensities, and effects (Ambiance WarmDim and Dynamic Tuneable White). MR16 and GU10 LED lamp options available. TRIAC/Phase, 0-10v/1-10v, DMX and DALI/Digital dimming.



A093+13-LED-TR
359° rotation. Up to 45° tilt.
Cut-out 102mm (4.02”) Ø



Installation kit for overlap flange



A093+13-LED-TL
359° rotation. Up to 45° tilt.
Cut-out 102mm (4.02”) Ø



Mud-in kit for seamless/trimless

LED Source	LED51TW	LED51TW
CCT (5000K - 2000K)	@ 3000K	@ 3000K
Drive Current (max per channel)	700mA	700mA
Power inc Driver	15.1W	15.1W
Beam Angle	25°	35°
Delivered Lumens	417	448
Delivered Intensity cd	2026	1201
Efficacy lm/w	28	30
Forward Volt (max per channel)	18.4V	18.4V
CRI	≥95 CRI	≥95 CRI

Project Ref: _____

Location Ref: _____

Specify fixture part number (All boxes must be filled in to correctly order)

A093+13-LED					LED5ITW	5020								
--------------------	--	--	--	--	----------------	-------------	--	--	--	--	--	--	--	--

Installation

- TR** Flange kit
- TL** Mud-in kit

Finish

- WH** White
- BK** Black
- RAL** Custom*

Location

- XX** Dry
- DP** Damp
- WT** Wet

Ceiling Thickness

- SC** Standard Ceiling (1/2"-5/8"-3/4")
- C** Custom

LED Type

- LED5ITW** LED5ITW (95CRI)

CCT

- 5020** 5000K - 2000K

Beam Angles

- 25** 25
- 35** 35

Housing/Tray

- LMT-13-NIC** Mounting Tray Non-Insulated ceilings
- LH-6.75-NIC** Housing 6.75" Non-Insulated ceilings
- LH-8.50-AT/IC** Housing 8.50" Insulated/Air-tight ceilings and Chicago Plenum

Mounting Hardware

- 09** 9" to 15.25" - Adjustable Bar Hanger Lengths
- 14** 14" to 24" - Adjustable Bar Hanger Lengths
- 36** 28" to 36" - Adjustable Bar Hanger Lengths
- BB** Butterfly Bracket
- CB** Caterpillar Bracket

Supply Voltage

- 120** 120V
- 277** 277V

Dimming Protocol

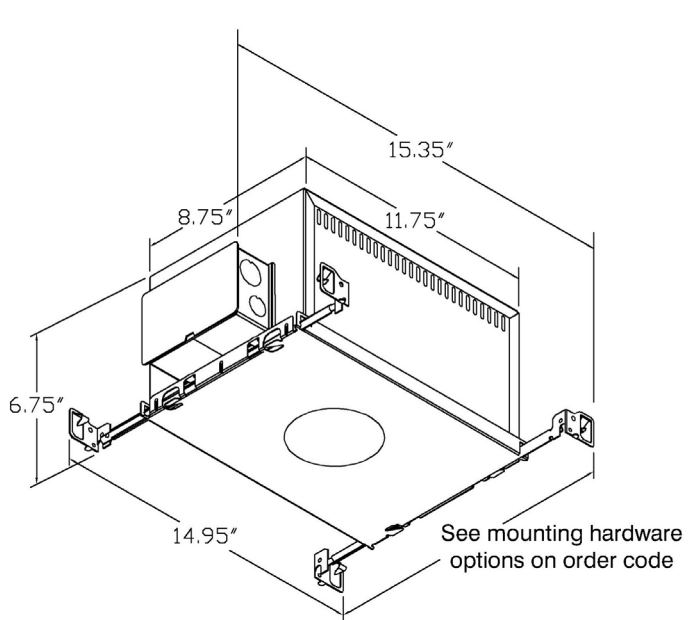
- A2** Analogue (0-10V) 2-Channel (0.1% Dimming)
- D6** DALI Type 6** (0.1% Dimming)
- D8** DALI Type 8** (0.1% Dimming)
- L** Lutron (Consult Factory)

- Emergency**
- E** 3hr Emergency
 - ES** 3hr Self Test

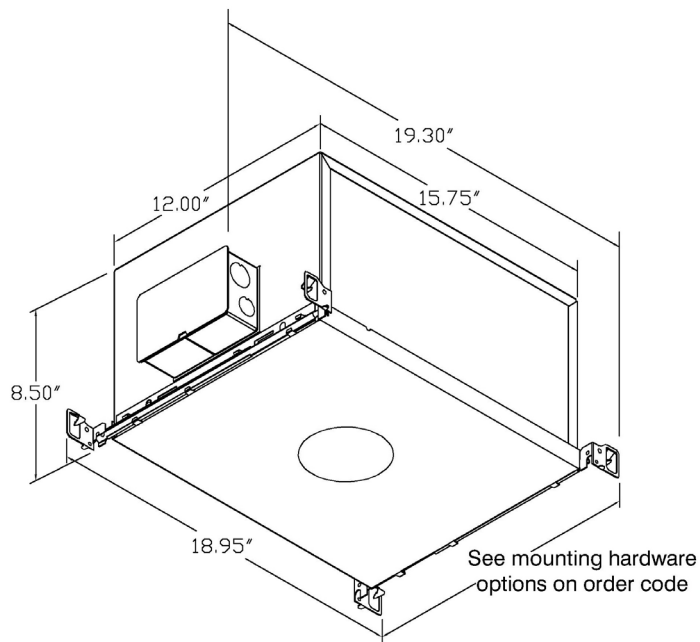
- Louvre/Lens**
- XX** Not required
 - LL45** Honeycomb
 - LLCC** Warm Tone
 - LLUV** UV
 - LLDF** Solite/Diffusing
 - LLFR** Frosted Lens
 - LLLS** Linear Spread
 - LLHS** Heavy Spread

*Refer to Technical Details for more information

Housing dimensions

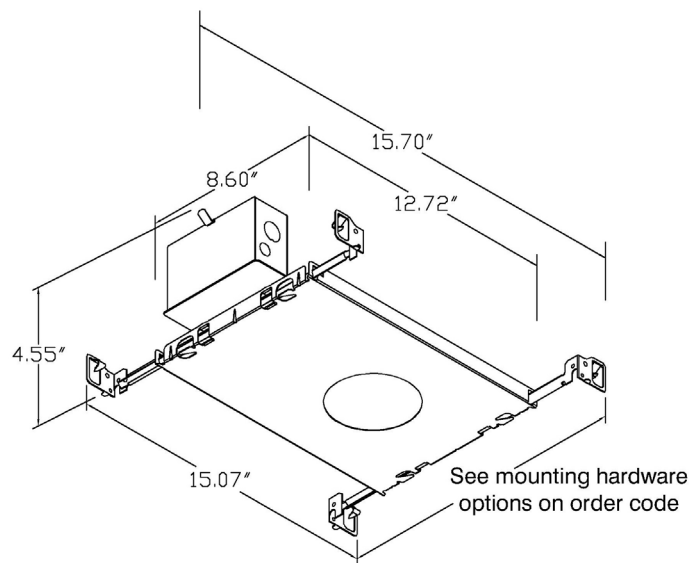


LH-6.75
Non-insulated ceilings



LH-8.50
Insulated/air-tight ceilings and
Chicago Plenum

Tray dimensions



LMT-13
Non-insulated ceilings



Honeycomb Louvre (LL45)



Solite/Diffusing Lens (LLDF)



Frosted Lens (LLFR)



Heavy Spread Lens (LLHS)



Linear Spread Lens (LLLS)



Warm Tone (LLCC)

Technical Details

*Custom color requires a paint chip or RAL code and may increase price and lead-time

It is the responsibility of the specifier/integrator/installer to check and ensure compatibility of any control equipment used. Additional cabling may be required depending on the dimming protocol specified.

**Bluetooth (wireless) is a communication protocol. The exact dimming protocol must be confirmed to allow the selection of suitable drivers or Bluetooth devices.

***Non specific driver type, dimming performance depending on exact driver used. Contact Lucent Lighting for more information.

^ Depth indicated is the minimum recess depth for the luminaire with a remote mounted LED driver. Installing a driver through either the luminaire cut-out or installation kit may require additional recess depth, please refer to the relevant installation instructions prior to purchase.

First Fix Requirement. Luminaire comprised of fixture body with ceiling trim and installation kit, which is to be fitted into the ceiling once finished. Ensure correct alignment of the installation kit before final assembly (see luminaire installation instructions for details)

Location. Tested from underside of the ceiling.

Data correct at time of publishing. It is the policy of Lucent Lighting to continually review and improve its products and therefore reserve the right to change any details of product or withdraw specifications without prior notice.

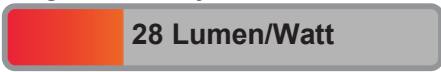
This specification sheet supersedes all previous versions.

All intellectual property rights pertaining to the product described above and to this document are owned by or licensed to Lucent Lighting, Incorporated. Lucent Lighting reserves the right to take whatever action is necessary to protect its intellectual property, patents and trademarks

Please notify Lucent Lighting Inc. inaccuracies. E&OE



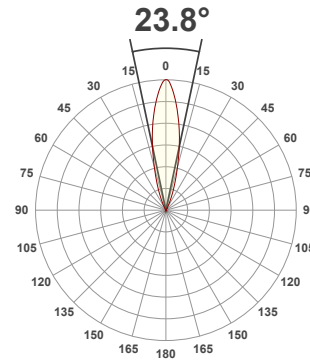
Light efficiency:



Light quality:



Color temperature:



Product name:

093+13-LED - LED51TW-5020-25 @ 3000K

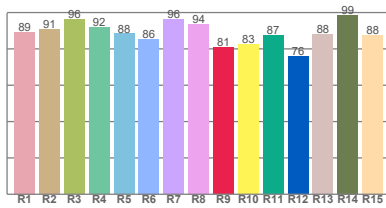
Item number:

Plus Bevel Locking Accent - LED51TW-5020-25 @ 3000K

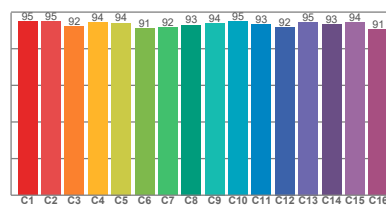
Delivered information for above fixture and LED combination.

Output: 417 Lumen Peak intensity: 2026 cd Power consumption: 15.1

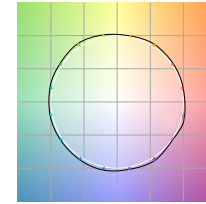
CRI R values



TM30 C Values

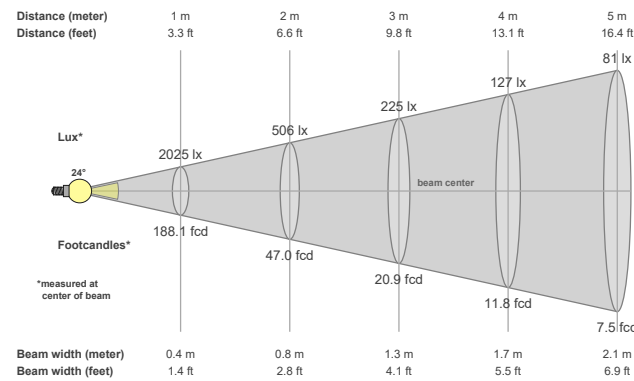


Color vector graphics



Color temperature	Color rendering index	Red component	Color fidelity	Color gamut	Color quality scale	Color coordinate cie 1931	Color coordinate cie 1931	Color coordinate	Color coordinate	Color deviation from black body
CCT	CRI	CRI R9	TM30 Rf	TM30 Rg	CQS	x	y	u	v	Δuv
3000 K	91.5	80.7	93.5	106.9	93.4	0.437	0.404	0.259	0.337	-0.0127

Beam details



Beam angles

Beam angle 50%	Field angle 10%	Cutoff angle 2,5%
23.8°	45.8°	57.6°

Beam intensities

Peak intensity	Int. ratio in 120° cone	Int. ratio in 90° cone
2026 cd	99.3%	98.9%

Beam intensities from 1-20m

1m	2m	3m	4m	5m	6m	7m	8m	9m	10m	11m	12m	13m	14m	15m	16m	17m	18m	19m	20m
3.3ft	6.6ft	9.8ft	13.1ft	16.4ft	19.7ft	23ft	26.2ft	29.5ft	32.8ft	36.1ft	39.4ft	42.7ft	45.9ft	49.2ft	52.5ft	55.8ft	59.1ft	62.3ft	65.6ft
2025lx	506lx	225lx	127lx	81lx	56lx	41lx	32lx	25lx	20lx	17lx	14lx	12lx	10lx	9lx	8lx	7lx	6lx	6lx	5lx
188.1fcd	47fcd	20.9fcd	11.8fcd	7.5fcd	5.2fcd	3.8fcd	2.9fcd	2.3fcd	1.9fcd	1.6fcd	1.3fcd	1.1fcd	1fcd	0.8fcd	0.7fcd	0.7fcd	0.6fcd	0.5fcd	0.5fcd

All the above information for fixtures with LED51TW-5020 modules are tested at 3000K

Factors to adjust lumen output for the following CCTs at 100% output for the colour are as follows:

2000K = 0.67

2700K = 0.84

3500K = 1.085

4000K = 1.113

5000K = 1.087

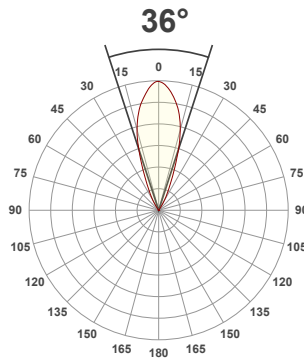
Light efficiency:



Light quality:



Color temperature:



Product name:

093+13-LED - LED51TW-5020-35 @ 3000K

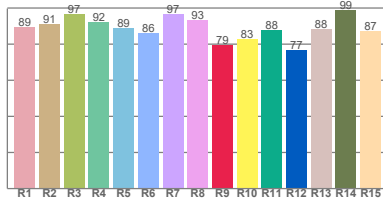
Item number:

Plus Bevel Locking Accent - LED51TW-5020-35 @ 3000K

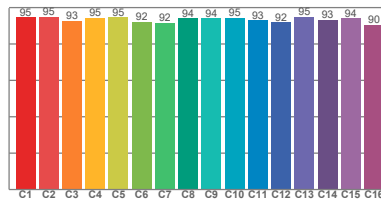
Delivered information for above fixture and LED combination.

Output: 448 Lumen Peak intensity: 1201 cd Power consumption: 15.1

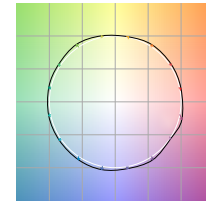
CRI R values



TM30 C Values

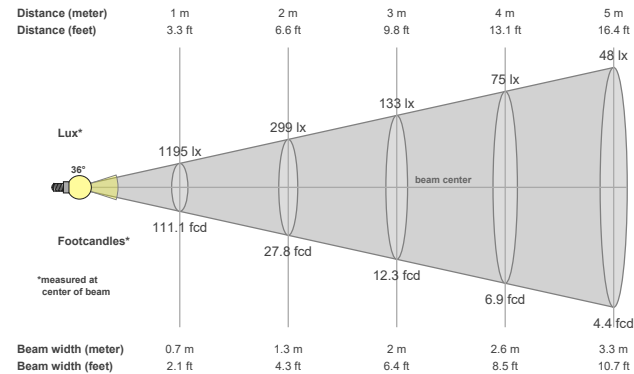


Color vector graphics



Color temperature	Color rendering index	Red component	Color fidelity	Color gamut	Color quality scale	Color coordinate cie 1931	Color coordinate cie 1931	Color coordinate	Color coordinate	Color deviation from black body
CCT	CRI	CRI R9	TM30 Rf	TM30 Rg	CQS	x	y	u	v	Δuv
3000 K	91.7	79.5	93.7	106.3	93.9	0.437	0.404	0.255	0.336	-0.0124

Beam details



Beam angles

Beam angle 50%	Field angle 10%	Cutoff angle 2,5%
36°	59°	68.9°

Beam intensities

Peak intensity	Int. ratio in 120° cone	Int. ratio in 90° cone
1201 cd	99.3%	99.0%

Beam intensities from 1-20m

1m	2m	3m	4m	5m	6m	7m	8m	9m	10m	11m	12m	13m	14m	15m	16m	17m	18m	19m	20m
3.3ft	6.6ft	9.8ft	13.1ft	16.4ft	19.7ft	23ft	26.2ft	29.5ft	32.8ft	36.1ft	39.4ft	42.7ft	45.9ft	49.2ft	52.5ft	55.8ft	59.1ft	62.3ft	65.6ft
1195lx	299lx	133lx	75lx	48lx	33lx	24lx	19lx	15lx	12lx	10lx	8lx	7lx	6lx	5lx	5lx	4lx	4lx	3lx	3lx
111.1fcd	27.8fcd	12.3fcd	6.9fcd	4.4fcd	3.1fcd	2.3fcd	1.7fcd	1.4fcd	1.1fcd	0.9fcd	0.8fcd	0.7fcd	0.6fcd	0.5fcd	0.4fcd	0.4fcd	0.3fcd	0.3fcd	0.3fcd

All the above information for fixtures with LED51TW-5020 modules are tested at 3000K

Factors to adjust lumen output for the following CCTs at 100% output for the colour are as follows:

2000K = 0.67

2700K = 0.84

3500K = 1.085

4000K = 1.113

5000K = 1.087