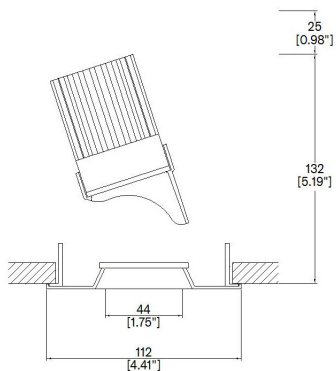


# Plus3.5 Bevel Accent Non-Locking



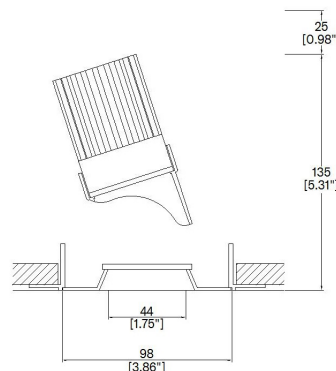
Plus provides high performance electronics and architectural aesthetics in round and square 3.5” and 5” trim. Plus products include adjustable, fixed and wallwash in a flanged or trimless installation kit. Adjustable can be provided with gear driven adjustment or manual adjustment. Available in various front plates (Conical, Bevel, Edge, Pyramidal and Square Bevel) Bevel and Square Bevel available with various color inserts. Tray, retrofit and housing installation methods (NIC, IC, AT, T24 and CCEA) Multiple configurations for equal spacing also available. Lucent modules available in a wide range of color temperatures, beam angles, intensities, and effects (Ambiance WarmDim and Dynamic Tuneable White). MR16 and GU10 LED lamp options available. TRIAC/Phase, 0-10v/1-10v, DMX and DALI/Digital dimming.



A093+13-NL-LED-TR  
359° rotation. Up to 45° tilt.  
Cut-out 102mm (4.02”) Ø



**Installation kit for overlap flange**



A093+13-NL-LED-TL  
359° rotation. Up to 45° tilt.  
Cut-out 102mm (4.02”) Ø



**Mud-in kit for seamless/trimless**

| LED Source                      | LED51TW | LED51TW |
|---------------------------------|---------|---------|
| CCT (5000K - 2000K)             | @ 3000K | @ 3000K |
| Drive Current (max per channel) | 700mA   | 700mA   |
| Power inc Driver                | 15.1W   | 15.1W   |
| Beam Angle                      | 25°     | 35°     |
| Delivered Lumens                | 475     | 529     |
| Delivered Intensity cd          | 2080    | 1225    |
| Efficacy lm/w                   | 31      | 35      |
| Forward Volt (max per channel)  | 18.4V   | 18.4V   |
| CRI                             | ≥95 CRI | ≥95 CRI |

Project Ref: \_\_\_\_\_

Location Ref: \_\_\_\_\_

Specify fixture part number (All boxes must be filled in to correctly order)

|                |  |  |  |  |         |      |  |  |  |  |  |  |  |  |
|----------------|--|--|--|--|---------|------|--|--|--|--|--|--|--|--|
| A093+13-NL-LED |  |  |  |  | LED5ITW | 5020 |  |  |  |  |  |  |  |  |
|----------------|--|--|--|--|---------|------|--|--|--|--|--|--|--|--|

**Installation**

- TR Flange kit
- TL Mud-in kit

**Finish**

- WH White
- BK Black
- RAL Custom\*

**Location**

- XX Dry
- DP Damp
- WT Wet

**Ceiling Thickness**

- SC Standard Ceiling (1/2"-5/8"-3/4")
- C Custom

**LED Type**

- LED5ITW LED5ITW (95CRI)

**CCT**

- 5020 5000K - 2000K

**Beam Angles**

- 25 25
- 35 35

**Housing/Tray**

- LMT-13-NIC Mounting Tray Non-Insulated ceilings
- LH-6.75-NIC Housing 6.75" Non-Insulated ceilings
- LH-8.50-AT/IC Housing 8.50" Insulated/Air-tight ceilings and Chicago Plenum

**Mounting Hardware**

- 09 9" to 15.25" - Adjustable Bar Hanger Lengths
- 14 14" to 24" - Adjustable Bar Hanger Lengths
- 36 28" to 36" - Adjustable Bar Hanger Lengths
- BB Butterfly Bracket
- CB Caterpillar Bracket

**Supply Voltage**

- 120 120V
- 277 277V

**Dimming Protocol**

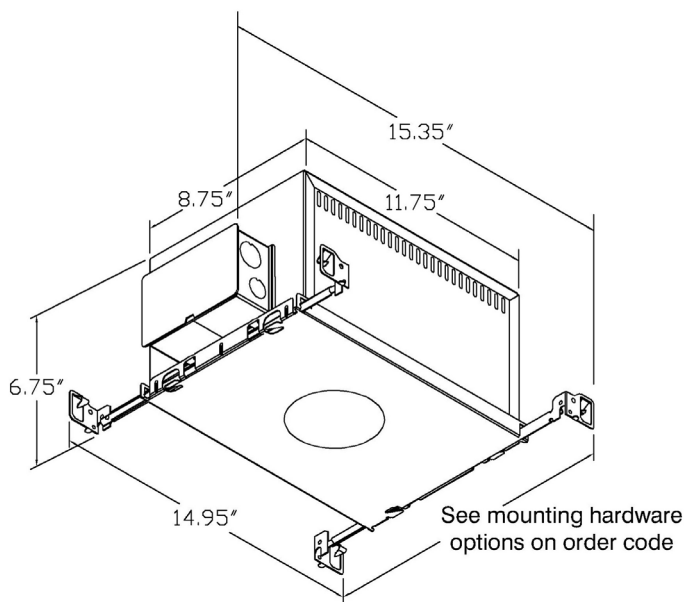
- A2 Analogue (0-10V) 2-Channel (0.1% Dimming)
- D6 DALI Type 6\*\* (0.1% Dimming)
- D8 DALI Type 8\*\* (0.1% Dimming)
- L Lutron (Consult Factory)

- Emergency**
- E 3hr Emergency
  - ES 3hr Self Test

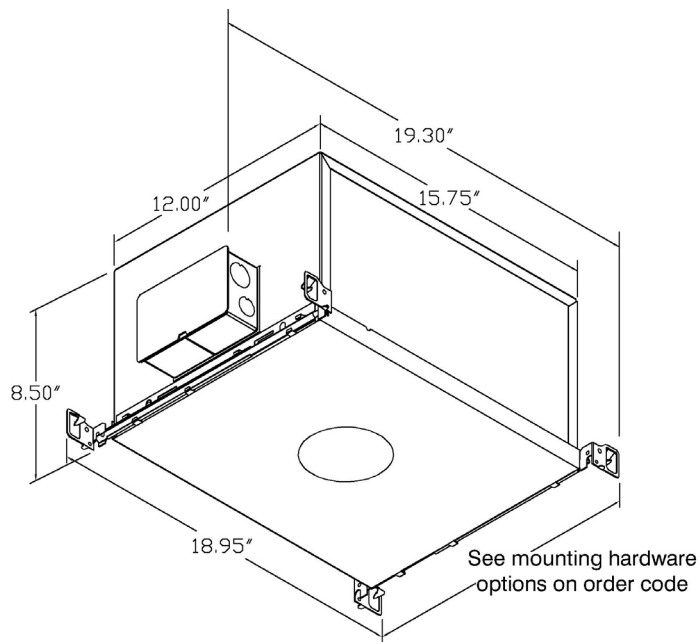
- Louvre/Lens**
- XX Not required
  - LL45 Honeycomb
  - LLCC Warm Tone
  - LLUV UV
  - LLDF Solite/Diffusing
  - LLFR Frosted Lens
  - LLLS Linear Spread
  - LLHS Heavy Spread

\*Refer to Technical Details for more information

Housing dimensions

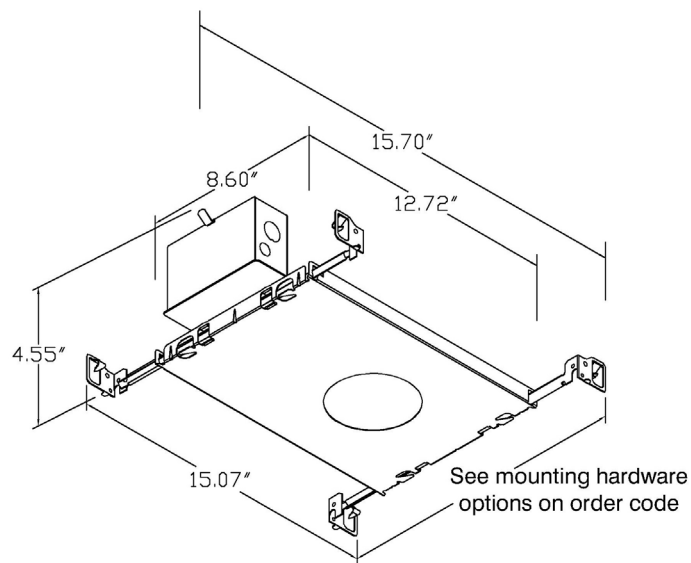


LH-6.75  
Non-insulated ceilings

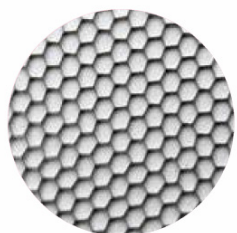


LH-8.50  
Insulated/air-tight ceilings and  
Chicago Plenum

Tray dimensions



LMT-13  
Non-insulated ceilings



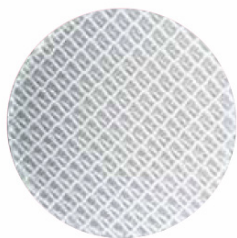
**Honeycomb Louvre (LL45)**



**Solite/Diffusing Lens (LLDF)**



**Frosted Lens (LLFR)**



**Heavy Spread Lens (LLHS)**



**Linear Spread Lens (LLLS)**



**Warm Tone (LLCC)**

---

## Technical Details

\*Custom color requires a paint chip or RAL code and may increase price and lead-time

It is the responsibility of the specifier/integrator/installer to check and ensure compatibility of any control equipment used. Additional cabling may be required depending on the dimming protocol specified.

\*\*Bluetooth (wireless) is a communication protocol. The exact dimming protocol must be confirmed to allow the selection of suitable drivers or Bluetooth devices.

\*\*\*Non specific driver type, dimming performance depending on exact driver used. Contact Lucent Lighting for more information.

^ Depth indicated is the minimum recess depth for the luminaire with a remote mounted LED driver. Installing a driver through either the luminaire cut-out or installation kit may require additional recess depth, please refer to the relevant installation instructions prior to purchase.

First Fix Requirement. Luminaire comprised of fixture body with ceiling trim and installation kit, which is to be fitted into the ceiling once finished. Ensure correct alignment of the installation kit before final assembly (see luminaire installation instructions for details)

Location. Tested from underside of the ceiling.

Data correct at time of publishing. It is the policy of Lucent Lighting to continually review and improve its products and therefore reserve the right to change any details of product or withdraw specifications without prior notice.

This specification sheet supersedes all previous versions.

All intellectual property rights pertaining to the product described above and to this document are owned by or licensed to Lucent Lighting, Incorporated. Lucent Lighting reserves the right to take whatever action is necessary to protect its intellectual property, patents and trademarks

Please notify Lucent Lighting Inc. inaccuracies. E&OE

---



Light efficiency:

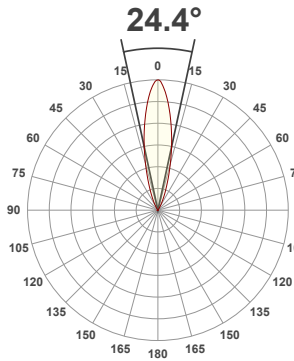
**31 Lumen/Watt**

Light quality:

**CRI: 91.5**

Color temperature:

**3000 K**



Product name:

**093+NL-13-LED - LED51TW-5020-25 @ 3000K**

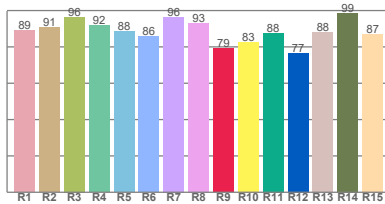
Item number:

**Plus Bevel Non-Locking Accent - LED51TW-5020-25 @ 3000K**

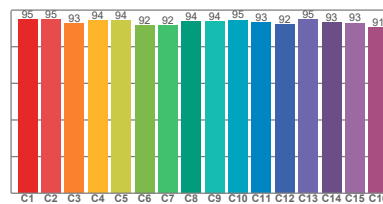
Delivered information for above fixture and LED combination.

**Output: 475 Lumen Peak intensity: 2080 cd Power consumption: 15.1**

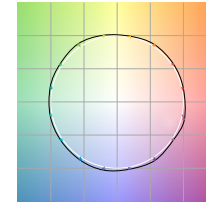
CRI R values



TM30 C Values

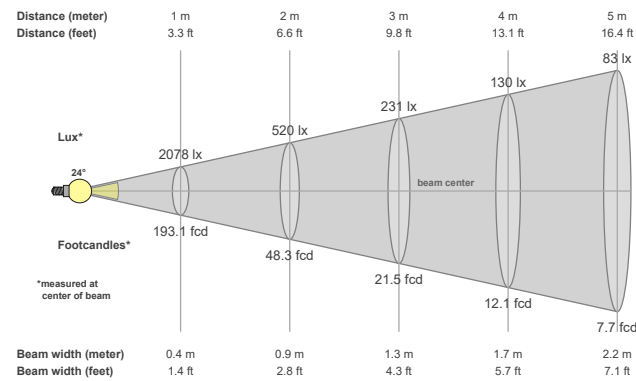


Color vector graphics



| Color temperature | Color rendering index | Red component | Color fidelity | Color gamut | Color quality scale | Color coordinate cie 1931 | Color coordinate cie 1931 | Color coordinate | Color coordinate | Color deviation from black body |
|-------------------|-----------------------|---------------|----------------|-------------|---------------------|---------------------------|---------------------------|------------------|------------------|---------------------------------|
| CCT               | CRI                   | CRI R9        | TM30 Rf        | TM30 Rg     | CQS                 | x                         | y                         | u                | v                | Δuv                             |
| 3000 K            | 91.5                  | 79.0          | 93.6           | 106.7       | 93.7                | 0.437                     | 0.404                     | 0.255            | 0.336            | -0.0129                         |

### Beam details



### Beam angles

| Beam angle 50% | Field angle 10% | Cutoff angle 2,5% |
|----------------|-----------------|-------------------|
| 24.4°          | 48.8°           | 62.7°             |

### Beam intensities

| Peak intensity | Int. ratio in 120° cone | Int. ratio in 90° cone |
|----------------|-------------------------|------------------------|
| 2080 cd        | 99.5%                   | 99.2%                  |

### Beam intensities from 1-20m

| 1m       | 2m      | 3m      | 4m      | 5m     | 6m     | 7m     | 8m     | 9m     | 10m    | 11m    | 12m    | 13m    | 14m    | 15m    | 16m    | 17m    | 18m    | 19m    | 20m    |
|----------|---------|---------|---------|--------|--------|--------|--------|--------|--------|--------|--------|--------|--------|--------|--------|--------|--------|--------|--------|
| 3.3ft    | 6.6ft   | 9.8ft   | 13.1ft  | 16.4ft | 19.7ft | 23ft   | 26.2ft | 29.5ft | 32.8ft | 36.1ft | 39.4ft | 42.7ft | 45.9ft | 49.2ft | 52.5ft | 55.8ft | 59.1ft | 62.3ft | 65.6ft |
| 2078lx   | 520lx   | 231lx   | 130lx   | 83lx   | 58lx   | 42lx   | 32lx   | 26lx   | 21lx   | 17lx   | 14lx   | 12lx   | 11lx   | 9lx    | 8lx    | 7lx    | 6lx    | 6lx    | 5lx    |
| 193.1fcd | 48.3fcd | 21.5fcd | 12.1fcd | 7.7fcd | 5.4fcd | 3.9fcd | 3fcd   | 2.4fcd | 1.9fcd | 1.6fcd | 1.3fcd | 1.1fcd | 1fcd   | 0.9fcd | 0.8fcd | 0.7fcd | 0.6fcd | 0.5fcd | 0.5fcd |

All the above information for fixtures with LED51TW-5020 modules are tested at 3000K

Factors to adjust lumen output for the following CCTs at 100% output for the colour are as follows:

2000K = 0.67

2700K = 0.84

3500K = 1.085

4000K = 1.113

5000K = 1.087

Light efficiency:

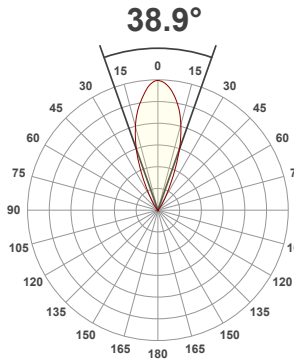
**35 Lumen/Watt**

Light quality:

**CRI: 91.7**

Color temperature:

**3000 K**



Product name:

**093+NL-13-LED - LED51TW-5020-35 @ 3000K**

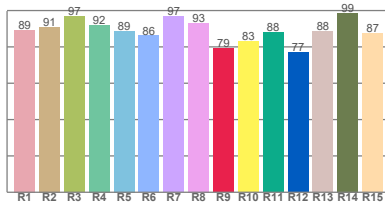
Item number:

**Plus Bevel Non-Locking Accent - LED51TW-5020-35 @ 3000K**

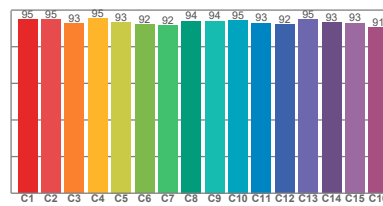
Delivered information for above fixture and LED combination.

Output: 529 Lumen Peak intensity: 1225 cd Power consumption: 15.1

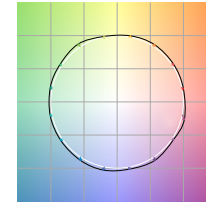
CRI R values



TM30 C Values

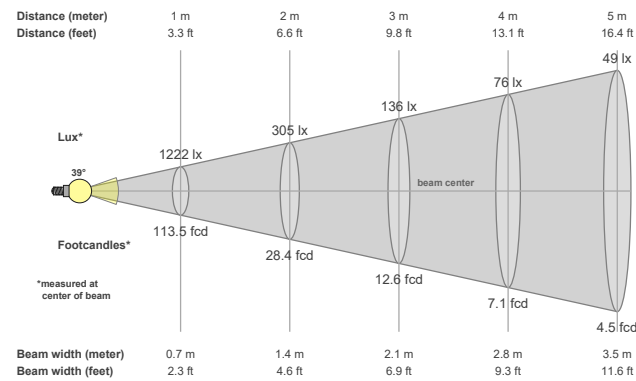


Color vector graphics



| Color temperature | Color rendering index | Red component | Color fidelity | Color gamut | Color quality scale | Color coordinate cie 1931 | Color coordinate cie 1931 | Color coordinate | Color coordinate | Color deviation from black body |
|-------------------|-----------------------|---------------|----------------|-------------|---------------------|---------------------------|---------------------------|------------------|------------------|---------------------------------|
| CCT               | CRI                   | CRI R9        | TM30 Rf        | TM30 Rg     | CQS                 | x                         | y                         | u                | v                | Δuv                             |
| 3000 K            | 91.7                  | 79.2          | 93.7           | 106.4       | 93.9                | 0.437                     | 0.404                     | 0.255            | 0.336            | -0.0125                         |

### Beam details



### Beam angles

| Beam angle 50% | Field angle 10% | Cutoff angle 2,5% |
|----------------|-----------------|-------------------|
| 38.9°          | 62.7°           | 76.5°             |

### Beam intensities

| Peak intensity | Int. ratio in 120° cone | Int. ratio in 90° cone |
|----------------|-------------------------|------------------------|
| 1225 cd        | 99.7%                   | 99.5%                  |

### Beam intensities from 1-20m

| 1m       | 2m      | 3m      | 4m     | 5m     | 6m     | 7m     | 8m     | 9m     | 10m    | 11m    | 12m    | 13m    | 14m    | 15m    | 16m    | 17m    | 18m    | 19m    | 20m    |
|----------|---------|---------|--------|--------|--------|--------|--------|--------|--------|--------|--------|--------|--------|--------|--------|--------|--------|--------|--------|
| 3.3ft    | 6.6ft   | 9.8ft   | 13.1ft | 16.4ft | 19.7ft | 23ft   | 26.2ft | 29.5ft | 32.8ft | 36.1ft | 39.4ft | 42.7ft | 45.9ft | 49.2ft | 52.5ft | 55.8ft | 59.1ft | 62.3ft | 65.6ft |
| 1222lx   | 305lx   | 136lx   | 76lx   | 49lx   | 34lx   | 25lx   | 19lx   | 15lx   | 12lx   | 10lx   | 8lx    | 7lx    | 6lx    | 5lx    | 5lx    | 4lx    | 4lx    | 3lx    | 3lx    |
| 113.5fcd | 28.4fcd | 12.6fcd | 7.1fcd | 4.5fcd | 3.2fcd | 2.3fcd | 1.8fcd | 1.4fcd | 1.1fcd | 0.9fcd | 0.8fcd | 0.7fcd | 0.6fcd | 0.5fcd | 0.4fcd | 0.4fcd | 0.4fcd | 0.3fcd | 0.3fcd |

All the above information for fixtures with LED51TW-5020 modules are tested at 3000K

Factors to adjust lumen output for the following CCTs at 100% output for the colour are as follows:

2000K = 0.67

2700K = 0.84

3500K = 1.085

4000K = 1.113

5000K = 1.087