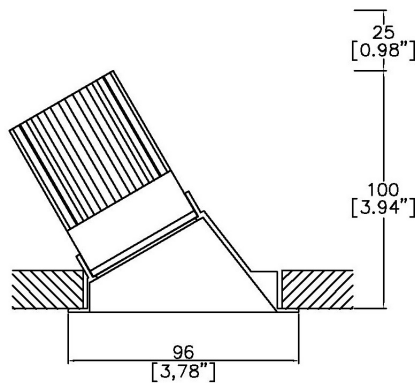


# Trim Wallwash



Trim (Round and Square) provides high performance electronics and architectural aesthetics in 3.8” and 3.8” x 3.8” trim. Trim products include adjustable, fixed and wallwash with flange. Tray, retrofit and housing installation methods (NIC, IC, AT, T24 and CCEA) Lucent modules available in a wide range of color temperatures, beam angles, intensities, and effects (Ambiance WarmDim and Dynamic Tuneable White). MR16 and GU10 LED lamp options available. TRIAC/Phase, 0-10v/1-10v, DMX and DALI/Digital dimming.



A960-LED-WW  
Cut-out 3.29” (83.5mm) Ø

|                                 |         |
|---------------------------------|---------|
| LED Source                      | LED5ITW |
| CCT (5000K - 2000K)             | @ 3000K |
| Drive Current (max per channel) | 700mA   |
| Power inc Driver                | 15.1W   |
| Beam Angle                      | 35°     |
| Delivered Lumens                | 547     |
| Delivered Intensity cd          | 427     |
| Efficacy lm/w                   | 36      |
| Forward Volt (max per channel)  | 18.4V   |
| CRI                             | ≥95 CRI |

Project Ref: \_\_\_\_\_

Location Ref: \_\_\_\_\_

Specify fixture part number (All boxes must be filled in to correctly order)

|                    |  |  |  |                |             |           |  |  |  |  |  |  |  |
|--------------------|--|--|--|----------------|-------------|-----------|--|--|--|--|--|--|--|
| <b>A960-LED-WW</b> |  |  |  | <b>LED5ITW</b> | <b>5020</b> | <b>35</b> |  |  |  |  |  |  |  |
|--------------------|--|--|--|----------------|-------------|-----------|--|--|--|--|--|--|--|

- Finish**
- WH** White
  - BK** Black
- Location**
- XX** Damp as standard
  - WT** Wet
- Ceiling Thickness**
- SC** Standard Ceiling (1/2"-5/8"-3/4")
  - C** Custom

**LED Type**  
**LED5ITW** LED5ITW (95CRI)

**CCT**  
**5020** 5000K - 2000K

**Beam Angles**  
**35** 35

- Housing/Tray**
- LMT-13-NIC** Mounting Tray Non-Insulated ceilings
  - LH-6.75-NIC** Housing 6.75" Non-Insulated ceilings
  - LH-8.50-AT/IC** Housing 8.50" Insulated/Air-tight ceilings and Chicago Plenum

- Mounting Hardware**
- 09** 9" to 15.25" - Adjustable Bar Hanger Lengths
  - 14** 14" to 24" - Adjustable Bar Hanger Lengths
  - 36** 28" to 36" - Adjustable Bar Hanger Lengths
  - BB** Butterfly Bracket
  - CB** Caterpillar Bracket

**Supply Voltage**

- 120** 120V
- 277** 277V

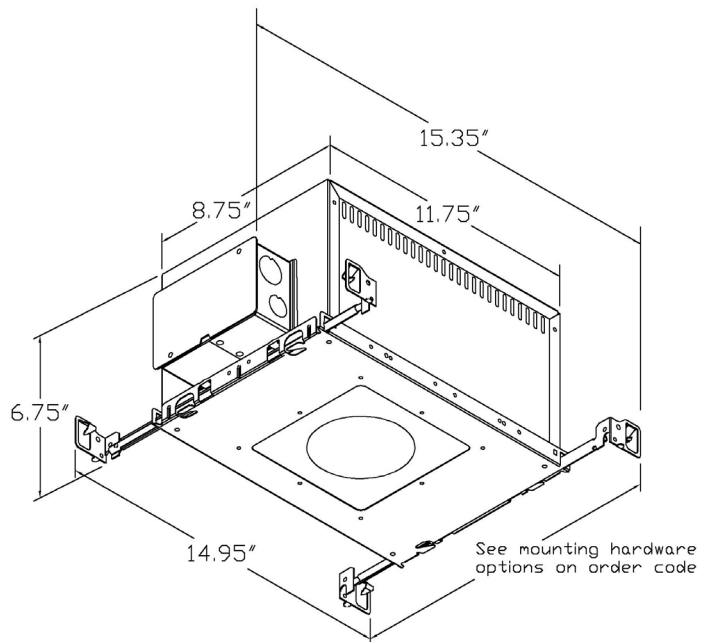
- Dimming Protocol**
- A2** Analogue (0-10V) 2-Channel (0.1% Dimming)
  - D6** DALI Type 6\*\* (0.1% Dimming)
  - D8** DALI Type 8\*\* (0.1% Dimming)
  - L** Lutron (Consult Factory)

- Emergency**
- E** 3hr Emergency
  - ES** 3hr Self Test

- Louvre/Lens**
- XX** Not required
  - LL45** Honeycomb
  - LLCC** Warm Tone
  - LLUV** UV

\*Refer to Technical Details for more information

## Housing dimensions

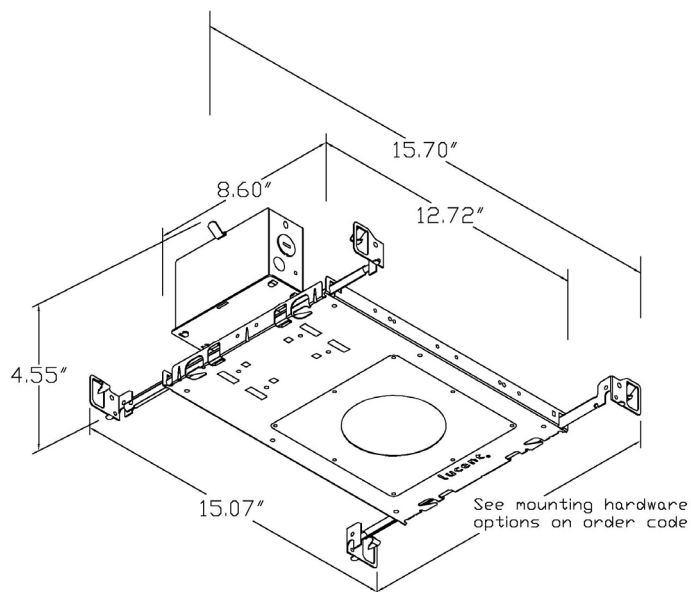


LH-6.75  
Non-insulated ceilings

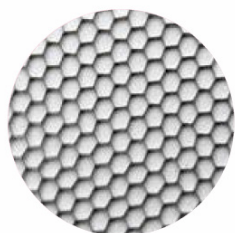


LH-8.50  
Insulated/air-tight ceilings and  
Chicago Plenum

## Tray dimensions



LMT-13  
Non-insulated ceilings



**Honeycomb Louvre (LL45)**



**Warm Tone (LLCC)**

---

## Technical Details

\*Custom color requires a paint chip or RAL code and may increase price and lead-time

It is the responsibility of the specifier/integrator/installer to check and ensure compatibility of any control equipment used. Additional cabling may be required depending on the dimming protocol specified.

\*\*DALI Type 6 requires two DALI addresses, one for CCT control the other for intensity control. DALI Type 8 is a single DALI Type 8 address for CCT and intensity control. Please check which control system is being used before specifying.

^ Depth indicated is the minimum recess depth for the luminaire with a remote mounted LED driver. Installing a driver through either the luminaire cut-out or installation kit may require additional recess depth, please refer to the relevant installation instructions prior to purchase.

First Fix Requirement. Luminaire comprised of fixture body with ceiling trim and installation kit, which is to be fitted into the ceiling once finished. Ensure correct alignment of the installation kit before final assembly (see luminaire installation instructions for details)

Location. Tested from underside of the ceiling.

Data correct at time of publishing. It is the policy of Lucent Lighting to continually review and improve its products and therefore reserve the right to change any details of product or withdraw specifications without prior notice.

This specification sheet supersedes all previous versions.

All intellectual property rights pertaining to the product described above and to this document are owned by or licensed to Lucent Lighting, Incorporated. Lucent Lighting reserves the right to take whatever action is necessary to protect its intellectual property, patents and trademarks

Please notify Lucent Lighting Inc. inaccuracies. E&OE



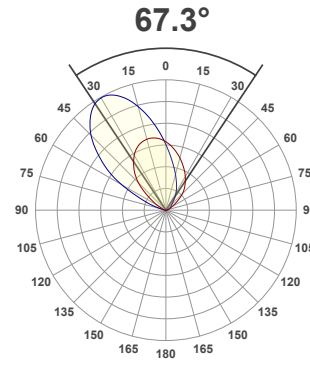
**Light efficiency:**



**Light quality:**



**Color temperature:**



Product name:

**A960-LED-WW -  
LED51TW-5020-35 @ 3000K**

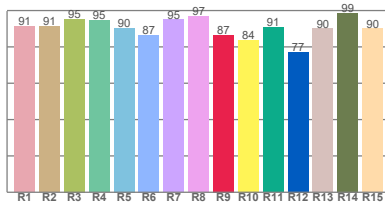
Item number:

**Trim Round Wallwash -  
LED51TW-5020-35 @ 3000K**

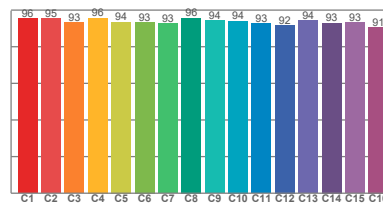
**Delivered information for above  
fixture and LED combination.**

**Output: 547 Lumen Peak intensity: 427 cd Power consumption: 15.1**

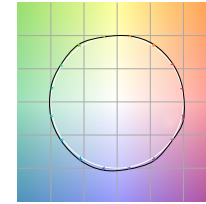
**CRI R values**



**TM30 C Values**

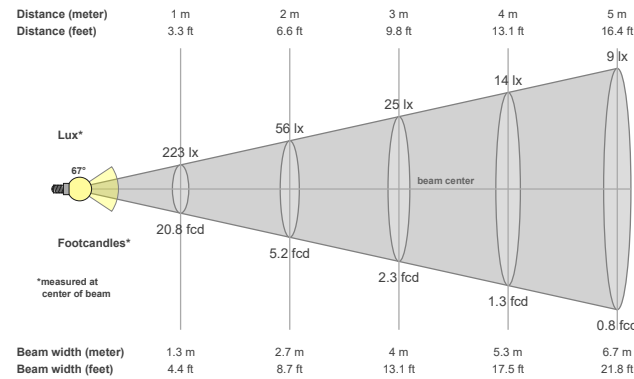


**Color vector graphics**



| Color temperature | Color rendering index | Red component | Color fidelity | Color gamut | Color quality scale | Color coordinate cie 1931 | Color coordinate cie 1931 | Color coordinate | Color coordinate | Color deviation from black body |
|-------------------|-----------------------|---------------|----------------|-------------|---------------------|---------------------------|---------------------------|------------------|------------------|---------------------------------|
| CCT               | CRI                   | CRI R9        | TM30 Rf        | TM30 Rg     | CQS                 | x                         | y                         | u                | v                | Δuv                             |
| 3000 K            | 92.7                  | 86.6          | 93.9           | 105.1       | 93.9                | 0.437                     | 0.404                     | 0.253            | 0.335            | -0.0125                         |

**Beam details**



**Beam angles**

| Beam angle 50% | Field angle 10% | Cutoff angle 2,5% |
|----------------|-----------------|-------------------|
| <b>67.3°</b>   | <b>115.4°</b>   | <b>151.7°</b>     |

**Beam intensities**

| Peak intensity | Int. ratio in 120° cone | Int. ratio in 90° cone |
|----------------|-------------------------|------------------------|
| <b>427 cd</b>  | <b>90.5%</b>            | <b>66.3%</b>           |

**Beam intensities from 1-20m**

| 1m      | 2m     | 3m     | 4m     | 5m     | 6m     | 7m     | 8m     | 9m     | 10m    | 11m    | 12m    | 13m    | 14m    | 15m    | 16m    | 17m    | 18m    | 19m    | 20m    |
|---------|--------|--------|--------|--------|--------|--------|--------|--------|--------|--------|--------|--------|--------|--------|--------|--------|--------|--------|--------|
| 3.3ft   | 6.6ft  | 9.8ft  | 13.1ft | 16.4ft | 19.7ft | 23ft   | 26.2ft | 29.5ft | 32.8ft | 36.1ft | 39.4ft | 42.7ft | 45.9ft | 49.2ft | 52.5ft | 55.8ft | 59.1ft | 62.3ft | 65.6ft |
| 223lx   | 56lx   | 25lx   | 14lx   | 9lx    | 6lx    | 5lx    | 3lx    | 3lx    | 2lx    | 2lx    | 2lx    | 1lx    | 1lx    | 1lx    | 1lx    | 1lx    | 1lx    | 1lx    | 1lx    |
| 20.8fcd | 5.2fcd | 2.3fcd | 1.3fcd | 0.8fcd | 0.6fcd | 0.4fcd | 0.3fcd | 0.3fcd | 0.2fcd | 0.2fcd | 0.1fcd | 0.1fcd | 0.1fcd | 0.1fcd | 0.1fcd | 0.1fcd | 0.1fcd | 0.1fcd | 0.1fcd |

All the above information for fixtures with LED51TW-5020 modules are tested at 3000K

Factors to adjust lumen output for the following CCTs at 100% output for the colour are as follows:

2000K = 0.67

2700K = 0.84

3500K = 1.085

4000K = 1.113

5000K = 1.087