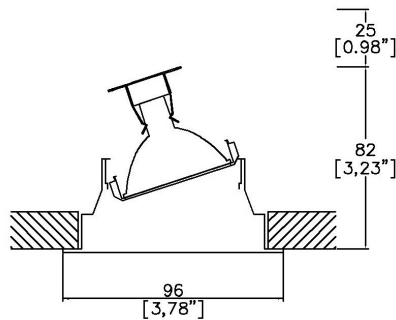


ProSpex Trim Round Accent



96mm (3.78") overall diameter. Range of soft appearance with minimal trim for achieving trimless effect. Family of matching products also available. Required depth height + 25mm[^]



A963-MR
Cut-out 83.5mm Ø

Max Power (Halogen)	20-50W
Max Power (LED)	8-12W
Voltage	12v
Insulation Class**	I

Project Ref: _____

Location Ref: _____

Fixture Order Code: A963-MR - -

Fixture
A963-MR Trim Round Accent with MR16

Finish
WH White
BK Black
RAL Custom RAL Colour*

Ceiling Thickness
12 1/2"
58 5/8"
75 3/4"
C Custom



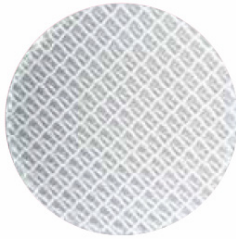
Honeycomb Louvre (LL45)



Solite/Diffusing Lens (LLDF)



Frosted Lens (LLFR)



Heavy Spread Lens (LLHS)



Linear Spread Lens (LLLS)



Warm Tone (LLCC)

Accessories Order Code:

Louvre/Lens

- LL45 Honeycomb Louvre
- LLCC Warm Tone Lens
- LLUV UV Lens
- LLDF Solite/Diffusing Lens
- LLFR Frosted Lens
- LLLS Linear Spread Lens
- LLHS Heavy Spread Lens

Technical Details

*Custom RAL code must be specified. Custom RAL colours can increase prices and lead times

Dimming. Whilst Lucent can offer the majority of its luminaires with various dimming options, it remains the responsibility of the specifier/installer to check and ensure compatibility of any control equipment used. Additional cabling may be required depending on the dimming protocol specified.

**Transformer installed with housing/tray, makes the installation class I. For UL2068, Insulation class II can be offered with transformers mounted remotely. Please consult factory for more information.

^ Depth indicated may vary depending on lamp type used

First Fix Requirement. Luminaire comprised of fixture body with ceiling trim and installation kit, which is to be fitted into the ceiling once finished. Ensure correct alignment of the installation kit before final assembly (see luminaire installation instructions for details)

IP Rating. Tested from underside of the ceiling

It is the policy of Lucent Lighting to continually review and improve its products and therefore reserve the right to change any details of product or withdraw specifications without prior notice.

Luminaires designed to comply with EN60598 and all other standards.

This specification sheet supersedes all previous versions.

All intellectual property rights pertaining to the product described above and to this document are owned by or licensed to Lucent Lighting Ltd.

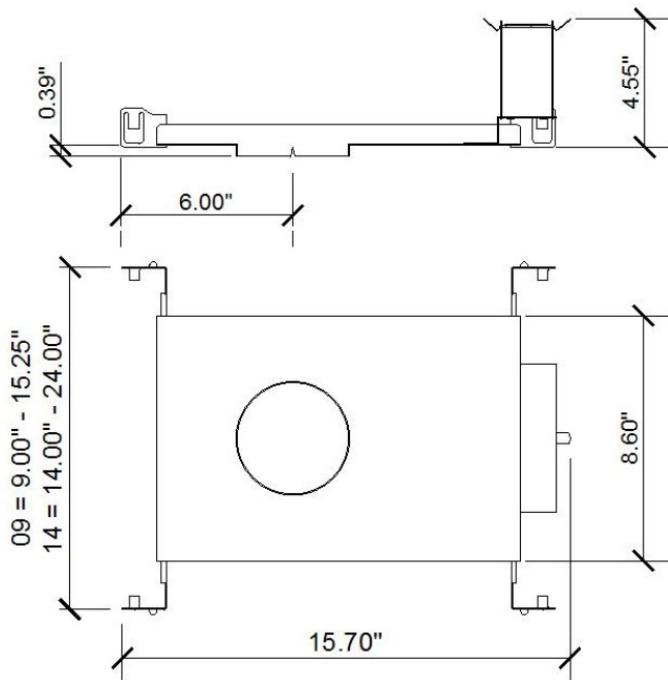
We reserve the right to take whatever action is necessary to protect those intellectual property rights.

Please notify Lucent Lighting Ltd of any inaccuracies immediately. E&OE



Project Ref: _____

Location Ref: _____



LMT-13-NIC

Tray Order Code:



Housing Type

LMT-13-NIC Lucent Mounting Tray, Non-Insulated Ceiling

Mounting Hardware

- 09 9" to 15.25"
- 14 14" to 24"
- 36 28" to 36"
- BB Butterfly Bracket
- CB Caterpillar Bracket

LED

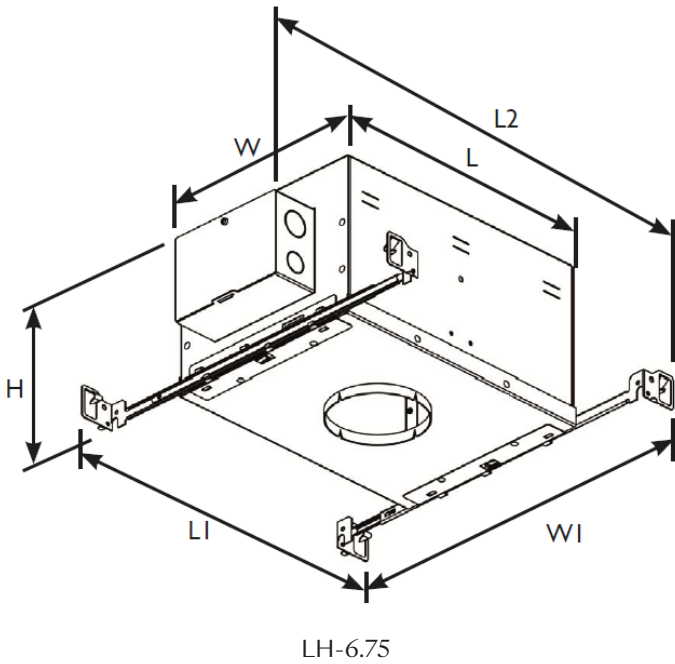
MR MR16

Supply Voltage

- 120 120V
- 277 277V

Project Ref: _____

Location Ref: _____



Housing Dimensions					
H	L	L1	L2	W	W1
6.75"	11.75"	14.95"	15.35"	8.75"	14" to 24"

Tray Order Code:

LH-6.75 - NIC - [] - MR - []

Housing Type
LH-6.75 Lucent Housing 6.75"

Housing Type
NIC Non-Insulated Ceiling

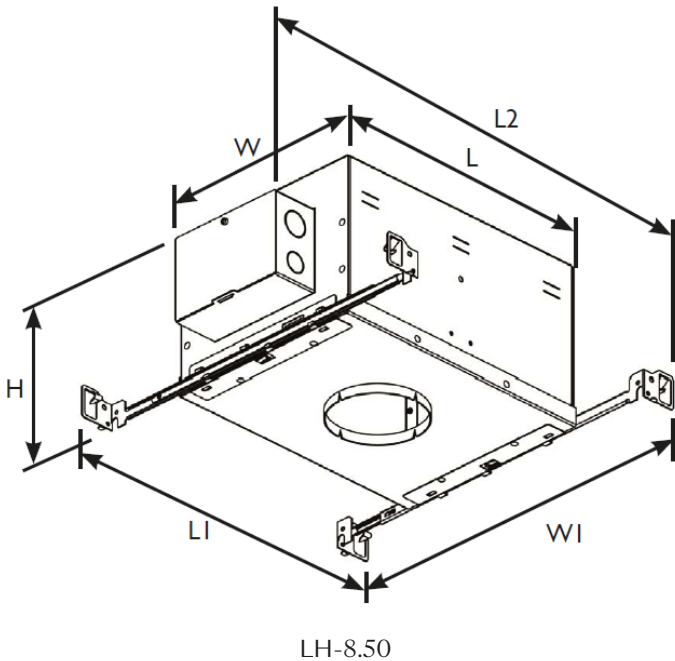
Mounting Hardware
09 9" to 15.25"
14 14" to 24"
36 28" to 36"
BB Butterfly Bracket
CB Caterpillar Bracket

Lamp
MR MR16

Supply Voltage
120 120V
277 277V

Project Ref: _____

Location Ref: _____



Housing Dimensions					
H	L	L1	L2	W	W1
8.50"	15.75"	18.95"	19.30"	12.00"	14" to 24"

Tray Order Code:

LH-8.50 -
 -
 -
 MR -

Housing Type
LH-8.50 Lucent Housing 8.50"

Housing Type
NIC Non-Insulated Ceiling
IC Insulated Ceiling
AT Airtight Ceiling, CCEA

Mounting Hardware
09 9" to 15.25"
14 14" to 24"
36 28" to 36"
BB Butterfly Bracket
CB Caterpillar Bracket

Lamp
MR MR16

Supply Voltage
120 120V
277 277V