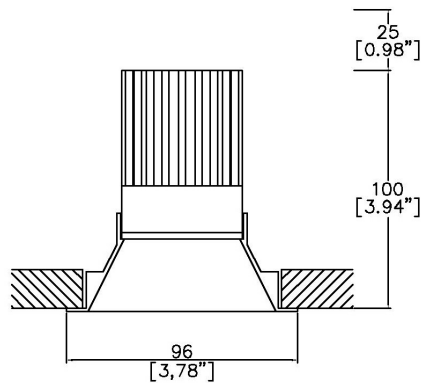


Trim Fixed



Trim (Round and Square) provides high performance electronics and architectural aesthetics in 3.8” and 3.8” x 3.8” trim. Trim products include adjustable, fixed and wallwash with flange. Tray, retrofit and housing installation methods (NIC, IC, AT, T24 and CCEA) Lucent modules available in a wide range of color temperatures, beam angles, intensities, and effects (Ambiance WarmDim and Dynamic Tuneable White). MR16 and GU10 LED lamp options available. TRIAC/Phase, 0-10v/1-10v, DMX and DALI/Digital dimming.



A960-LED
Cut-out 3.29” (83.5mm) Ø

LED Source	LED51/2	LED51/2	LED51/2	LED51/2	LED51/U	LED51/U	LED51/U	LED51/U
CCT	3000K	3000K	3000K	3000K	3000K	3000K	3000K	3000K
Drive Current	350mA	350mA	350mA	350mA	350mA	350mA	350mA	350mA
Power inc Driver	13.6W	13.6W	13.6W	13.6W	13.6W	13.6W	13.6W	13.6W
Beam Angle	12°	24°	38°	55°	12°	24°	38°	55°
Delivered Lumens	907	943	1064	1131	850	802	931	939
Delivered Intensisty cd	11654	4468	2974	1239	11343	4025	2278	1044
Efficacy lm/w	67	69	78	83	63	59	68	69
Forward Volt	33V	33V	33V	33V	33V	33V	33V	33V
CRI	≥90 CRI	≥90 CRI	≥90 CRI	≥90 CRI	≥98 CRI	≥98 CRI	≥98 CRI	≥98 CRI

Project Ref: _____

Location Ref: _____

Specify fixture part number (All boxes must be filled in to correctly order)

A960-LED																		
-----------------	--	--	--	--	--	--	--	--	--	--	--	--	--	--	--	--	--	--

Finish

WH	White
BK	Black

Location

XX	Dry
DP	Damp
WT	Wet

Ceiling Thickness

SC	Standard Ceiling (1/2"-5/8"-3/4")
C	Custom

LED Type

LED51/2	LED51/2 (90CRI)
LED51/U	LED51/U (98CRI)

CCT

27	2700K
30	3000K
35	3500K
40	4000K (90 CRI ONLY)

Beam Angles

12	12
24	24
38	38
55	55

Housing/Tray

LMT-13-NIC	Mounting Tray Non-Insulated ceilings
LH-6.75-NIC	Housing 6.75" Non-Insulated ceilings
LH-8.50-AT/IC	Housing 8.50" Insulated/Air-tight ceilings and Chicago Plenum

Mounting Hardware

09	9" to 15.25" - Adjustable Bar Hanger Lengths
14	14" to 24" - Adjustable Bar Hanger Lengths
36	28" to 36" - Adjustable Bar Hanger Lengths
BB	Butterfly Bracket
CB	Caterpillar Bracket

Supply Voltage

120	120V
277	277V

Dimming Protocol

S	Non-Dimmable
P	TRIAC/Phase (120V ONLY) (25-10% Minimum Dimming)***
LP	Lutron Forward Phase 2-Wire (1% Dimming) (120V ONLY)
ESS	EcoSystem 5-Series (5% Dimming)
LHE	EcoSystem Hi-Lume Fade to Black (1% Dimming)
LAE	Lutron 3-Wire Hi-Lume (1% Dimming)
LHP	Lutron Hi-Lume Premier EcoSystem (0.1% Dimming)
A	0-10V (15-5% Minimum Dimming)***
ESD	EldoLED Solo DALI2 (0.1% Dimming)
EED	EldoLED Eco DALI2 (1% Dimming)
ESA	EldoLED Solo 0-10V/1-10V (0.1% Dimming)
EEA	EldoLED Eco 0-10V/1-10V (1% Dimming)
B	Bluetooth**

Emergency

E	3hr Emergency
ES	3hr Self Test

Louvre/Lens

XX	Not required
LL45	Honeycomb
LLCC	Warm Tone
LLUV	UV
LLDF	Solite/Diffusing
LLFR	Frosted Lens
LLLS	Linear Spread
LLHS	Heavy Spread

*Refer to Technical Details for more information

Housing dimensions



LH-6.75
Non-insulated ceilings



LH-8.50
Insulated/air-tight ceilings and
Chicago Plenum

Tray dimensions



LMT-13
Non-insulated ceilings



Honeycomb Louvre (LL45)



Solite/Diffusing Lens (LLDF)



Frosted Lens (LLFR)



Heavy Spread Lens (LLHS)



Linear Spread Lens (LLLS)



Warm Tone (LLCC)

.....

Technical Details

*Custom color requires a paint chip or RAL code and may increase price and lead-time

It is the responsibility of the specifier/integrator/installer to check and ensure compatibility of any control equipment used. Additional cabling may be required depending on the dimming protocol specified.

**Bluetooth (wireless) is a communication protocol. The exact dimming protocol must be confirmed to allow the selection of suitable drivers or Bluetooth devices.

***Non specific driver type, dimming performance depending on exact driver used. Contact Lucent Lighting for more information.

^ Depth indicated is the minimum recess depth for the luminaire with a remote mounted LED driver. Installing a driver through either the luminaire cut-out or installation kit may require additional recess depth, please refer to the relevant installation instructions prior to purchase.

First Fix Requirement. Luminaire comprised of fixture body with ceiling trim and installation kit, which is to be fitted into the ceiling once finished. Ensure correct alignment of the installation kit before final assembly (see luminaire installation instructions for details)

Location. Tested from underside of the ceiling.

Data correct at time of publishing. It is the policy of Lucent Lighting to continually review and improve its products and therefore reserve the right to change any details of product or withdraw specifications without prior notice.

This specification sheet supersedes all previous versions.

All intellectual property rights pertaining to the product described above and to this document are owned by or licensed to Lucent Lighting, Incorporated. Lucent Lighting reserves the right to take whatever action is necessary to protect its intellectual property, patents and trademarks

Please notify Lucent Lighting Inc. inaccuracies. E&OE

.....



Light efficiency:

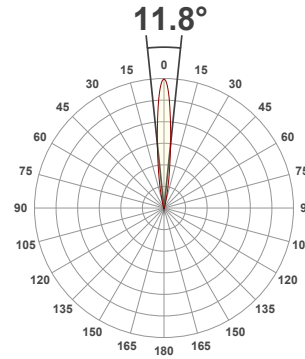
67 Lumen/Watt

Light quality:

CRI: 90.6

Color temperature:

3000 K



Product name:

Trim Round Fixed/Accent - LED50 ONE GEN2, 3000K, 12°, 350mA

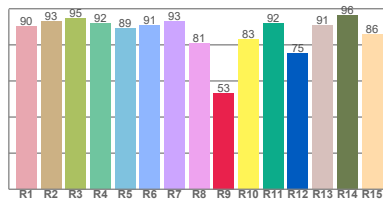
Item number:

A960/963 - LED51/2-30-12-350mA

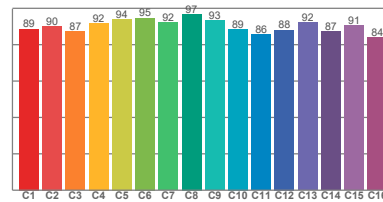
Delivered information for above fixture and LED combination.

Output: 907 Lumen Peak intensity: 11654 cd Power consumption: 13.6

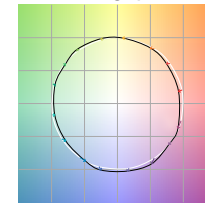
CRI R values



TM30 C Values

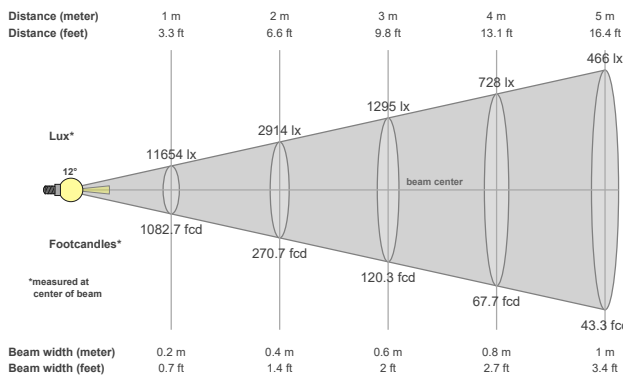


Color vector graphics



Color temperature	Color rendering index	Red component	Color fidelity	Color gamut	Color quality scale	Color coordinate cie 1931	Color coordinate cie 1931	Color coordinate	Color coordinate	Color deviation from black body
CCT	CRI	CRI R9	TM30 Rf	TM30 Rg	CQS	x	y	u	v	Δuv
3000 K	90.6	53.4	90.1	98.9	89.8	0.437	0.404	0.251	0.351	0.0027

Beam details



Beam angles

Beam angle 50%	Field angle 10%	Cutoff angle 2,5%
11.8°	24.9°	38.7°

Beam intensities

Peak intensity	Int. ratio in 120° cone	Int. ratio in 90° cone
11654 cd	98.0%	95.3%

Beam intensities from 1-20m

1m	2m	3m	4m	5m	6m	7m	8m	9m	10m	11m	12m	13m	14m	15m	16m	17m	18m	19m	20m
3.3ft	6.6ft	9.8ft	13.1ft	16.4ft	19.7ft	23ft	26.2ft	29.5ft	32.8ft	36.1ft	39.4ft	42.7ft	45.9ft	49.2ft	52.5ft	55.8ft	59.1ft	62.3ft	65.6ft
11654lx	2914lx	1295lx	728lx	466lx	324lx	238lx	182lx	144lx	117lx	96lx	81lx	69lx	59lx	52lx	46lx	40lx	36lx	32lx	29lx
1082.7fcd	270.7fcd	120.3fcd	67.7fcd	43.3fcd	30.1fcd	22.1fcd	16.9fcd	13.4fcd	10.8fcd	8.9fcd	7.5fcd	6.4fcd	5.5fcd	4.8fcd	4.2fcd	3.7fcd	3.3fcd	3fcd	2.7fcd

The above information is for 3000K colour temperature, for specific module information please see LED spec located on our website

For information regarding other colour temperatures please use the following factors for lumen output and candelas:

2700K = 1
4000K = 1.084

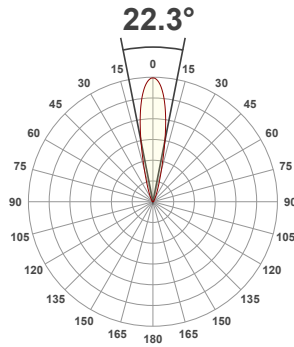
Light efficiency:



Light quality:



Color temperature:



Product name:

Trim Round Fixed/Accent - LED50 ONE GEN2, 3000K, 24°, 350mA

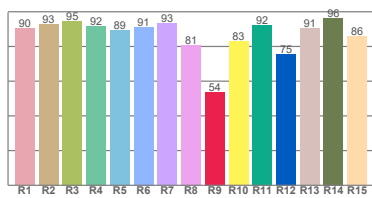
Item number:

A960/963 - LED51/2-30-24-350mA

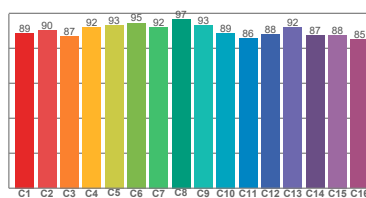
Delivered information for above fixture and LED combination.

Output: 943 Lumen Peak intensity: 4468 cd Power consumption: 13.6

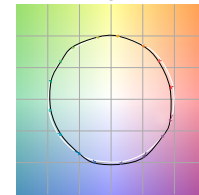
CRI R values



TM30 C Values

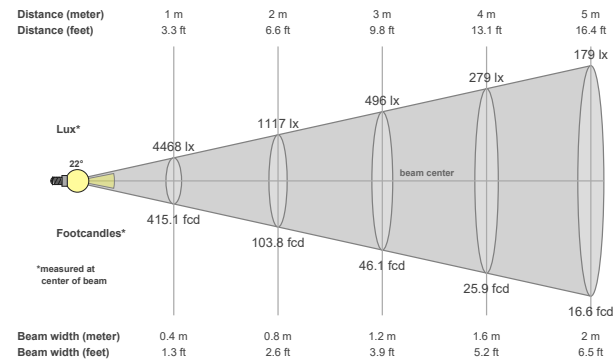


Color vector graphics



Color temperature	Color rendering index	Red component	Color fidelity	Color gamut	Color quality scale	Color coordinate cie 1931	Color coordinate cie 1931	Color coordinate	Color coordinate	Color deviation from black body
CCT	CRI	CRI R9	TM30 Rf	TM30 Rg	CQS	x	y	u	v	Δuv
3000 K	90.6	53.7	90.1	99.1	89.8	0.437	0.404	0.250	0.350	0.0026

Beam details



Beam angles

Beam angle 50%	Field angle 10%	Cutoff angle 2,5%
22.3°	42.6°	66.9°

Beam intensities

Peak intensity	Int. ratio in 120° cone	Int. ratio in 90° cone
4468 cd	97.8%	95.0%

Beam intensities from 1-20m

1m	2m	3m	4m	5m	6m	7m	8m	9m	10m	11m	12m	13m	14m	15m	16m	17m	18m	19m	20m
3.3ft	6.6ft	9.8ft	13.1ft	16.4ft	19.7ft	23ft	26.2ft	29.5ft	32.8ft	36.1ft	39.4ft	42.7ft	45.9ft	49.2ft	52.5ft	55.8ft	59.1ft	62.3ft	65.6ft
4468lx	1117lx	496lx	279lx	179lx	124lx	91lx	70lx	55lx	45lx	37lx	31lx	26lx	23lx	20lx	17lx	15lx	14lx	12lx	11lx
415.1fcd	103.8fcd	46.1fcd	25.9fcd	16.6fcd	11.5fcd	8.5fcd	6.5fcd	5.1fcd	4.2fcd	3.4fcd	2.9fcd	2.5fcd	2.1fcd	1.8fcd	1.6fcd	1.4fcd	1.3fcd	1.1fcd	1fcd

The above information is for 3000K colour temperature, for specific module information please see LED spec located on our website

For information regarding other colour temperatures please use the following factors for lumen output and candelas:

2700K = 1
4000K = 1.084

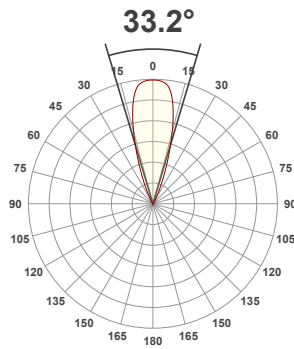
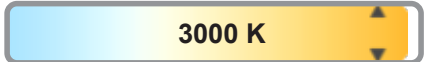
Light efficiency:



Light quality:



Color temperature:



Product name:

Trim Round Fixed/Accent - LED50 ONE GEN2, 3000K, 38°, 350mA

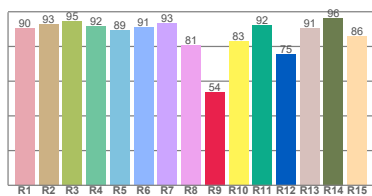
Item number:

A960/963 - LED51/2-30-38-350mA

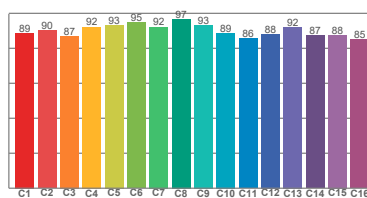
Delivered information for above fixture and LED combination.

Output: 1064 Lumen Peak intensity: 2974 cd Power consumption: 13.6

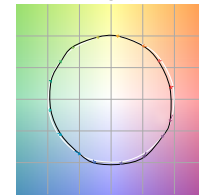
CRI R values



TM30 C Values

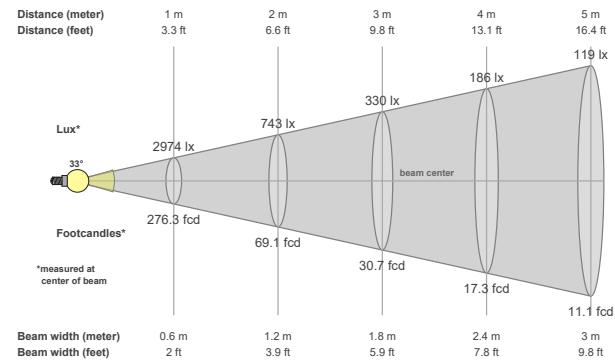


Color vector graphics



Color temperature	Color rendering index	Red component	Color fidelity	Color gamut	Color quality scale	Color coordinate cie 1931	Color coordinate cie 1931	Color coordinate	Color coordinate	Color deviation from black body
CCT	CRI	CRI R9	TM30 Rf	TM30 Rg	CQS	x	y	u	v	Δuv
3000 K	90.6	53.7	90.1	99.1	89.8	0.437	0.404	0.250	0.350	0.0027

Beam details



Beam angles

Beam angle 50%	Field angle 10%	Cutoff angle 2,5%
33.2°	51.5°	71°

Beam intensities

Peak intensity	Int. ratio in 120° cone	Int. ratio in 90° cone
2974 cd	95.2%	93.2%

Beam intensities from 1-20m

1m	2m	3m	4m	5m	6m	7m	8m	9m	10m	11m	12m	13m	14m	15m	16m	17m	18m	19m	20m
3.3ft	6.6ft	9.8ft	13.1ft	16.4ft	19.7ft	23ft	26.2ft	29.5ft	32.8ft	36.1ft	39.4ft	42.7ft	45.9ft	49.2ft	52.5ft	55.8ft	59.1ft	62.3ft	65.6ft
2974lx	743lx	330lx	186lx	119lx	83lx	61lx	46lx	37lx	30lx	25lx	21lx	18lx	15lx	13lx	12lx	10lx	9lx	8lx	7lx
276.3fcd	69.1fcd	30.7fcd	17.3fcd	11.1fcd	7.7fcd	5.6fcd	4.3fcd	3.4fcd	2.8fcd	2.3fcd	1.9fcd	1.6fcd	1.4fcd	1.2fcd	1.1fcd	1fcd	0.9fcd	0.8fcd	0.7fcd

The above information is for 3000K colour temperature, for specific module information please see LED spec located on our website

For information regarding other colour temperatures please use the following factors for lumen output and candelas:

2700K = 1
4000K = 1.084

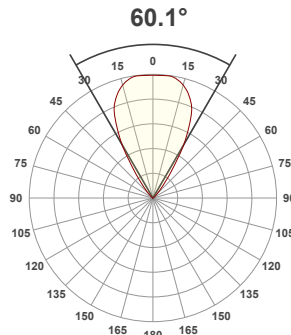
Light efficiency:



Light quality:



Color temperature:



Product name:

Trim Round Fixed/Accent - LED50 ONE GEN2, 3000K, 55°, 350mA

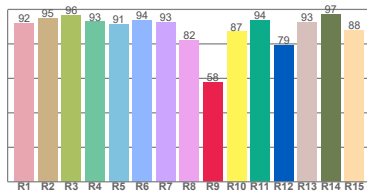
Item number:

A960/963 - LED51/2-30-55-350mA

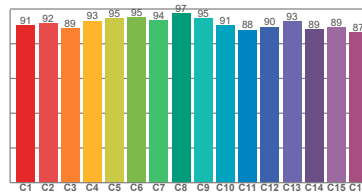
Delivered information for above fixture and LED combination.

Output: 1131 Lumen Peak intensity: 1239 cd Power consumption: 13.6

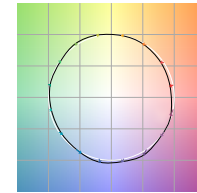
CRI R values



TM30 C Values

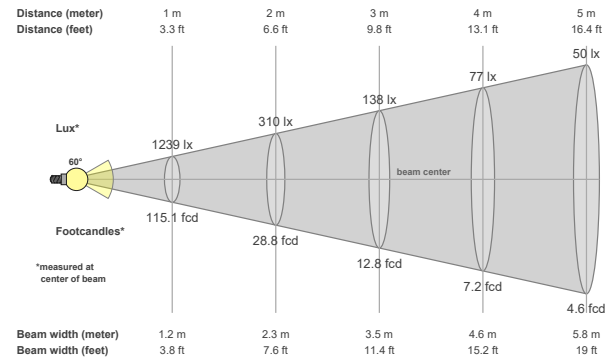


Color vector graphics



Color temperature	Color rendering index	Red component	Color fidelity	Color gamut	Color quality scale	Color coordinate cie 1931	Color coordinate cie 1931	Color coordinate	Color coordinate	Color deviation from black body
CCT	CRI	CRI R9	TM30 Rf	TM30 Rg	CQS	x	y	u	v	Δuv
3000 K	92.0	57.5	91.6	99.7	90.5	0.437	0.404	0.251	0.348	0.0008

Beam details



Beam angles

Beam angle 50%	Field angle 10%	Cutoff angle 2,5%
60.1°	81.6°	97.9°

Beam intensities

Peak intensity	Int. ratio in 120° cone	Int. ratio in 90° cone
1239 cd	98.9%	96.1%

Beam intensities from 1-20m

1m	2m	3m	4m	5m	6m	7m	8m	9m	10m	11m	12m	13m	14m	15m	16m	17m	18m	19m	20m
3.3ft	6.6ft	9.8ft	13.1ft	16.4ft	19.7ft	23ft	26.2ft	29.5ft	32.8ft	36.1ft	39.4ft	42.7ft	45.9ft	49.2ft	52.5ft	55.8ft	59.1ft	62.3ft	65.6ft
1239lx	310lx	138lx	77lx	50lx	34lx	25lx	19lx	15lx	12lx	10lx	9lx	7lx	6lx	6lx	5lx	4lx	4lx	3lx	3lx
115.1fcd	28.8fcd	12.8fcd	7.2fcd	4.6fcd	3.2fcd	2.3fcd	1.8fcd	1.4fcd	1.2fcd	1fcd	0.8fcd	0.7fcd	0.6fcd	0.5fcd	0.4fcd	0.4fcd	0.4fcd	0.3fcd	0.3fcd

The above information is for 3000K colour temperature, for specific module information please see LED spec located on our website

For information regarding other colour temperatures please use the following factors for lumen output and candelas:

2700K = 1
4000K = 1.084

Light efficiency:

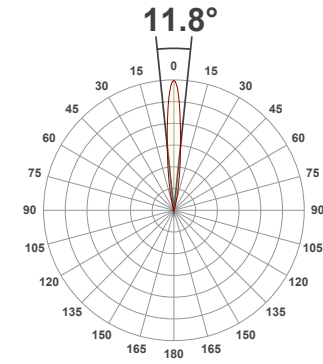
63 Lumen/Watt

Light quality:

CRI: 97.9

Color temperature:

3000 K



Product name:

**A960_963-LED -
LED51_U-30-12-350mA**

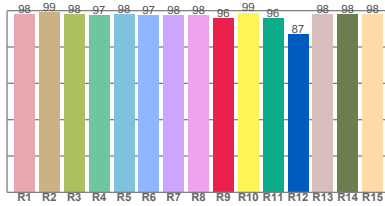
Item number:

**Trim Round Fixed_Accent -
LED51_U-30-12-350mA**

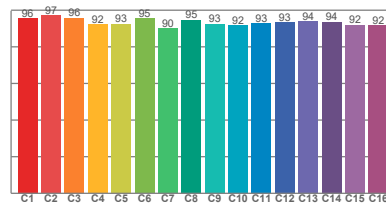
**Delivered information for above
fixture and LED combination.**

Output: 850 Lumen Peak intensity: 11343 cd Power consumption: 13.6

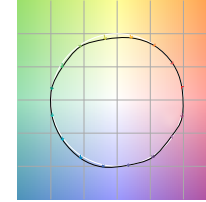
CRI R values



TM30 C Values

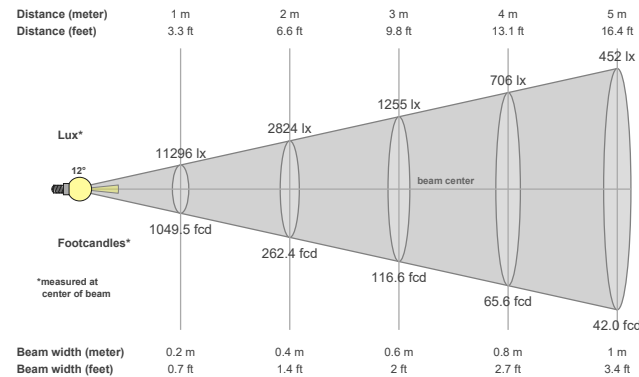


Color vector graphics



Color temperature	Color rendering index	Red component	Color fidelity	Color gamut	Color quality scale	Color coordinate cie 1931	Color coordinate cie 1931	Color coordinate	Color coordinate	Color deviation from black body
CCT	CRI	CRI R9	TM30 Rf	TM30 Rg	CQS	x	y	u	v	Δuv
3000 K	97.9	96.0	93.7	98.8	94.9	0.437	0.404	0.249	0.349	0.0015

Beam details



Beam angels

Beam angle 50%	Field angle 10%	Cutoff angle 2,5%
11.8°	25.5°	35.7°

Beam intensities

Peak intensity	Int. ratio in 120° cone	Int. ratio in 90° cone
11343 cd	98.4%	96.0%

Beam intensities from 1-20m

1m	2m	3m	4m	5m	6m	7m	8m	9m	10m	11m	12m	13m	14m	15m	16m	17m	18m	19m	20m
3.3ft	6.6ft	9.8ft	13.1ft	16.4ft	19.7ft	23ft	26.2ft	29.5ft	32.8ft	36.1ft	39.4ft	42.7ft	45.9ft	49.2ft	52.5ft	55.8ft	59.1ft	62.3ft	65.6ft
11296lx	2824lx	1255lx	706lx	452lx	314lx	231lx	177lx	139lx	113lx	93lx	78lx	67lx	58lx	50lx	44lx	39lx	35lx	31lx	28lx
1049.5fcd	262.4fcd	116.6fcd	65.6fcd	42fcd	29.2fcd	21.4fcd	16.4fcd	13fcd	10.5fcd	8.7fcd	7.3fcd	6.2fcd	5.4fcd	4.7fcd	4.1fcd	3.6fcd	3.2fcd	2.9fcd	2.6fcd

The above information is for 3000K colour temperature, for specific module information please see LED spec located on our website

For information regarding other colour temperatures please use the following factors for lumen output and candelas:

2700K = 1

Light efficiency:

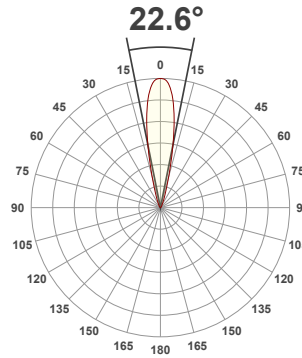
59 Lumen/Watt

Light quality:

CRI: 97.8

Color temperature:

3000 K



Product name:

**A960_963-LED -
LED51_U-30-24-350mA**

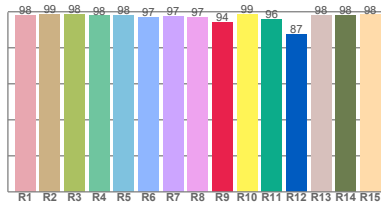
Item number:

**Trim Round Fixed_Accent -
LED51_U-30-24-350mA**

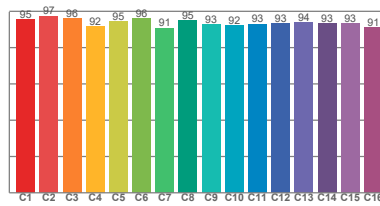
**Delivered information for above
fixture and LED combination.**

Output: 802 Lumen Peak intensity: 4025 cd Power consumption: 13.6

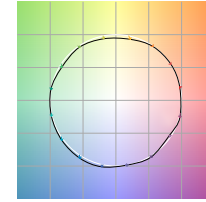
CRI R values



TM30 C Values

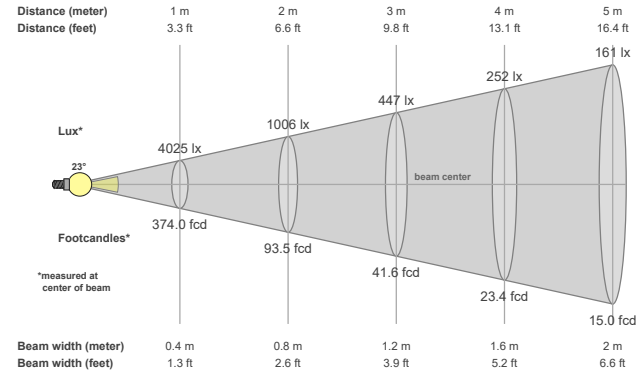


Color vector graphics



Color temperature	Color rendering index	Red component	Color fidelity	Color gamut	Color quality scale	Color coordinate cie 1931	Color coordinate cie 1931	Color coordinate	Color coordinate	Color deviation from black body
CCT	CRI	CRI R9	TM30 Rf	TM30 Rg	CQS	x	y	u	v	Δuv
3000 K	97.8	94.2	93.9	98.9	95.3	0.437	0.404	0.251	0.348	0.0008

Beam details



Beam angles

Beam angle 50%	Field angle 10%	Cutoff angle 2,5%
22.6°	40°	61.3°

Beam intensities

Peak intensity	Int. ratio in 120° cone	Int. ratio in 90° cone
4025 cd	98.4%	95.5%

Beam intensities from 1-20m

1m	2m	3m	4m	5m	6m	7m	8m	9m	10m	11m	12m	13m	14m	15m	16m	17m	18m	19m	20m
3.3ft	6.6ft	9.8ft	13.1ft	16.4ft	19.7ft	23ft	26.2ft	29.5ft	32.8ft	36.1ft	39.4ft	42.7ft	45.9ft	49.2ft	52.5ft	55.8ft	59.1ft	62.3ft	65.6ft
4025lx	1006lx	447lx	252lx	161lx	112lx	82lx	63lx	50lx	40lx	33lx	28lx	24lx	21lx	18lx	16lx	14lx	12lx	11lx	10lx
374fcd	93.5fcd	41.6fcd	23.4fcd	15fcd	10.4fcd	7.6fcd	5.8fcd	4.6fcd	3.7fcd	3.1fcd	2.6fcd	2.2fcd	1.9fcd	1.7fcd	1.5fcd	1.3fcd	1.2fcd	1fcd	0.9fcd

The above information is for 3000K colour temperature, for specific module information please see LED spec located on our website

For information regarding other colour temperatures please use the following factors for lumen output and candelas:

2700K = 1

Light efficiency:

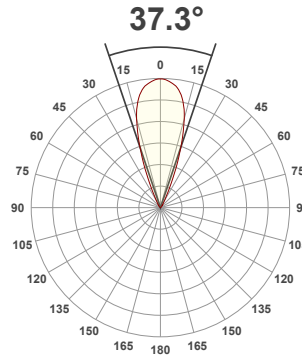
68 Lumen/Watt

Light quality:

CRI: 97.9

Color temperature:

3000 K



Product name:

**A960_963-LED -
LED51_U-30-38-350mA**

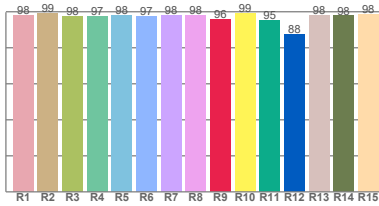
Item number:

**Trim Round Fixed_Accent -
LED51_U-30-38-350mA**

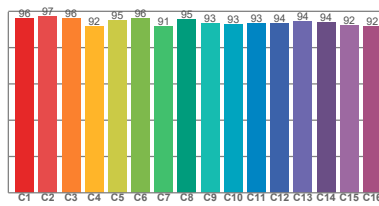
**Delivered information for above
fixture and LED combination.**

Output: 931 Lumen Peak intensity: 2278 cd Power consumption: 13.6

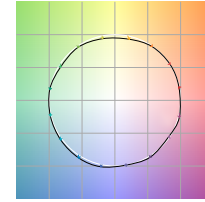
CRI R values



TM30 C Values

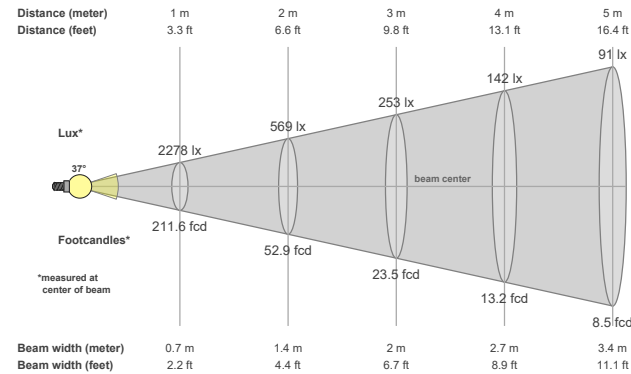


Color vector graphics



Color temperature	Color rendering index	Red component	Color fidelity	Color gamut	Color quality scale	Color coordinate cie 1931	Color coordinate cie 1931	Color coordinate	Color coordinate	Color deviation from black body
CCT	CRI	CRI R9	TM30 Rf	TM30 Rg	CQS	x	y	u	v	Δuv
3000 K	97.9	95.9	94.2	99.3	95.3	0.437	0.404	0.250	0.349	0.0013

Beam details



Beam angles

Beam angle 50%	Field angle 10%	Cutoff angle 2,5%
37.3°	54.5°	78.5°

Beam intensities

Peak intensity	Int. ratio in 120° cone	Int. ratio in 90° cone
2278 cd	98.7%	96.5%

Beam intensities from 1-20m

1m	2m	3m	4m	5m	6m	7m	8m	9m	10m	11m	12m	13m	14m	15m	16m	17m	18m	19m	20m
3.3ft	6.6ft	9.8ft	13.1ft	16.4ft	19.7ft	23ft	26.2ft	29.5ft	32.8ft	36.1ft	39.4ft	42.7ft	45.9ft	49.2ft	52.5ft	55.8ft	59.1ft	62.3ft	65.6ft
2278lx	569lx	253lx	142lx	91lx	63lx	46lx	36lx	28lx	23lx	19lx	16lx	13lx	12lx	10lx	9lx	8lx	7lx	6lx	6lx
211.6fcd	52.9fcd	23.5fcd	13.2fcd	8.5fcd	5.9fcd	4.3fcd	3.3fcd	2.6fcd	2.1fcd	1.7fcd	1.5fcd	1.3fcd	1.1fcd	0.9fcd	0.8fcd	0.7fcd	0.7fcd	0.6fcd	0.5fcd

The above information is for 3000K colour temperature, for specific module information please see LED spec located on our website

For information regarding other colour temperatures please use the following factors for lumen output and candelas:

$$2700K = 1$$

Light efficiency:

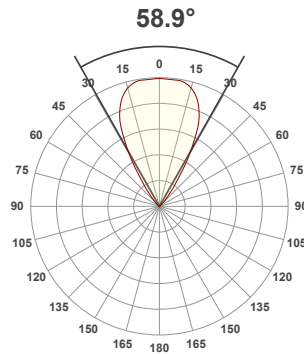
69 Lumen/Watt

Light quality:

CRI: 98.0

Color temperature:

3000 K



Product name:

**A960_963-LED -
LED51_U-30-55-350mA**

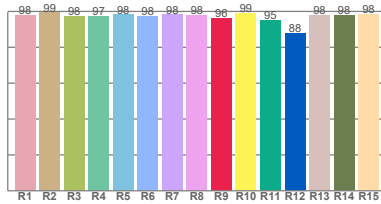
Item number:

**Trim Round Fixed_Accent -
LED51_U-30-55-350mA**

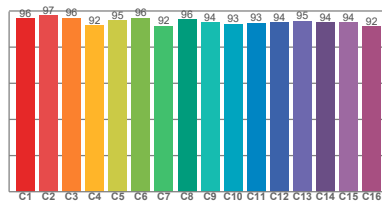
**Delivered information for above
fixture and LED combination.**

Output: 939 Lumen Peak intensity: 1044 cd Power consumption: 13.6

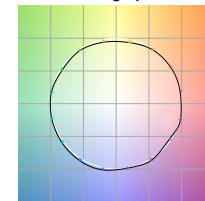
CRI R values



TM30 C Values

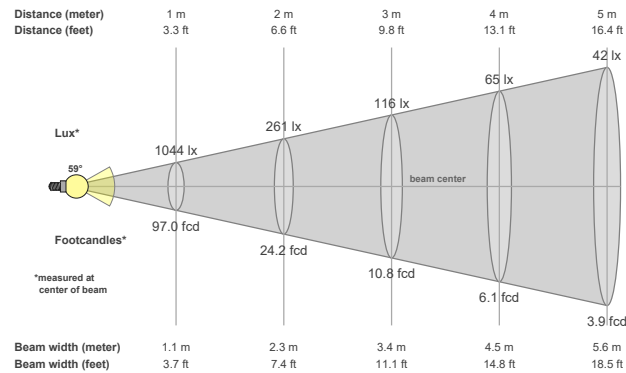


Color vector graphics



Color temperature	Color rendering index	Red component	Color fidelity	Color gamut	Color quality scale	Color coordinate cie 1931	Color coordinate cie 1931	Color coordinate	Color coordinate	Color deviation from black body
CCT	CRI	CRI R9	TM30 Rf	TM30 Rg	CQS	x	y	u	v	Δuv
3000 K	98.0	96.0	94.3	99.2	95.3	0.437	0.404	0.251	0.348	0.0014

Beam details



Beam angles

Beam angle 50%	Field angle 10%	Cutoff angle 2,5%
58.9°	80.7°	98.4°

Beam intensities

Peak intensity	Int. ratio in 120° cone	Int. ratio in 90° cone
1044 cd	98.7%	96.0%

Beam intensities from 1-20m

1m	2m	3m	4m	5m	6m	7m	8m	9m	10m	11m	12m	13m	14m	15m	16m	17m	18m	19m	20m
3.3ft	6.6ft	9.8ft	13.1ft	16.4ft	19.7ft	23ft	26.2ft	29.5ft	32.8ft	36.1ft	39.4ft	42.7ft	45.9ft	49.2ft	52.5ft	55.8ft	59.1ft	62.3ft	65.6ft
1044lx	261lx	116lx	65lx	42lx	29lx	21lx	16lx	13lx	10lx	9lx	7lx	6lx	5lx	5lx	4lx	4lx	3lx	3lx	3lx
97fcd	24.2fcd	10.8fcd	6.1fcd	3.9fcd	2.7fcd	2fcd	1.5fcd	1.2fcd	1fcd	0.8fcd	0.7fcd	0.6fcd	0.5fcd	0.4fcd	0.4fcd	0.3fcd	0.3fcd	0.3fcd	0.2fcd

The above information is for 3000K colour temperature, for specific module information please see LED spec located on our website

For information regarding other colour temperatures please use the following factors for lumen output and candelas:

2700K = 1