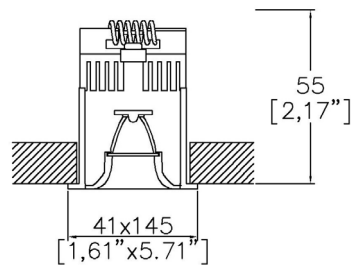


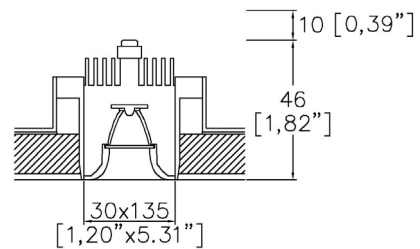
Line 5LED Flare



Line is a range of miniature ultra low glare recessed downlights with 1, 2, 5 or 10 cells. In fixed in a flanged or trimless installation kit. Available in 3 color temperatures and 3 beam angles. TRIAC/Phase, 0-10V/1-10V, DMX and DALI/digital dimming.



A2605-FL-TR
Cut out 139 x 35mm
(5.47" x 1.38")



A2605-FL-TL
Cut out 139 x 35mm
(5.47" x 1.38")

LED Source	LED	LED	LED
CCT	3000K	3000K	3000K
Drive Current	500mA	500mA	500mA
Power inc Driver	9W	9W	9W
Beam Angle	12°	34°	48°
Delivered Lumens	544	578	587
Delivered Intensity cd	5748	1906	1343
Efficacy lm/w	60	64	65
Forward Volt	15V	15V	15V
CRI	≥90 CRI	≥90 CRI	≥90 CRI

Project Ref: _____

Location Ref: _____

Specify fixture part number (All boxes must be filled in to correctly order)

A2605-FL			BK		
----------	--	--	----	--	--

- Installation _____
- TR Flange
- TL Trimless

- CCT _____
- 27 2700K
- 30 3000K
- 40 4000K

- Finish _____
- BK Black

- Beam Angles _____
- 12 12
- 34 34
- 48 48

- Dimming Protocol^ _____
- S Non-Dimmable
- P TRIAC/Phase (120V ONLY) (25-10% Minimum Dimming)***
- LP Lutron Forward Phase 2-Wire (1% Dimming) (120V ONLY)
- ESS EcoSystem 5-Series (5% Dimming)
- LHE EcoSystem Hi-Lume Fade to Black (1% Dimming)
- LAE Lutron 3-Wire Hi-Lume (1% Dimming)
- LHP Lutron Hi-Lume Premier EcoSystem (0.1% Dimming)
- A 0-10V (15-5% Minimum Dimming)***
- ESD EldoLED Solo DALI2 (0.1% Dimming)
- EED EldoLED Eco DALI2 (1% Dimming)
- ESA EldoLED Solo 0-10V/1-10V (0.1% Dimming)
- EEA EldoLED Eco 0-10V/1-10V (1% Dimming)
- B Bluetooth**

*Refer to Technical Details for more information

^Not all power supplies are available for single connection, some require series connection with multiple fittings. Consult Lucent Lighting Inc for more information.

Technical Details

*Custom color requires a paint chip or RAL code and may increase price and lead-time

It is the responsibility of the specifier/integrator/installer to check and ensure compatibility of any control equipment used. Additional cabling may be required depending on the dimming protocol specified.

**Bluetooth (wireless) is a communication protocol. The exact dimming protocol must be confirmed to allow the selection of suitable drivers or Bluetooth devices.

***Non specific driver type, dimming performance depending on exact driver used. Contact Lucent Lighting for more information.

^ Depth indicated is the minimum recess depth for the luminaire with a remote mounted LED driver. Installing a driver through either the luminaire cut-out or installation kit may require additional recess depth, please refer to the relevant installation instructions prior to purchase.

First Fix Requirement. Luminaire comprised of fixture body with ceiling trim and installation kit, which is to be fitted into the ceiling once finished. Ensure correct alignment of the installation kit before final assembly (see luminaire installation instructions for details)

Location. Tested from underside of the ceiling.

Data correct at time of publishing. It is the policy of Lucent Lighting to continually review and improve its products and therefore reserve the right to change any details of product or withdraw specifications without prior notice.

This specification sheet supersedes all previous versions.

All intellectual property rights pertaining to the product described above and to this document are owned by or licensed to Lucent Lighting, Incorporated. Lucent Lighting reserves the right to take whatever action is necessary to protect its intellectual property, patents and trademarks

Please notify Lucent Lighting Inc. inaccuracies. E&OE



Light efficiency:

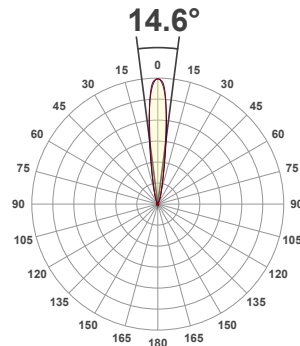
60 Lumen/Watt

Light quality:

CRI: 90.4

Color temperature:

3000 K



Product name:

**Line 5LED Flare 3000K 12°
500mA**

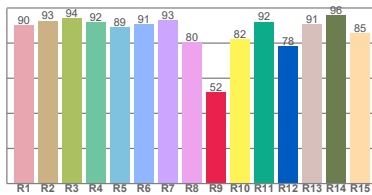
Item number:

2605-FL-30-12-500mA

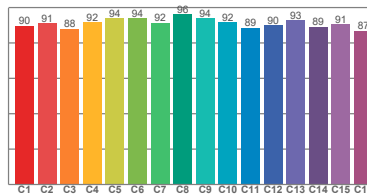
**Delivered information for above
fixture and LED combination.**

Output: 544 Lumen Peak intensity: 5748 cd Power consumption: 9.0

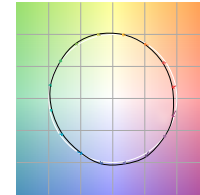
CRI R values



TM30 C Values

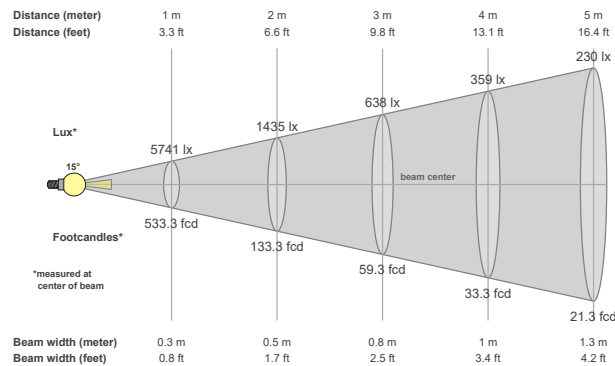


Color vector graphics



Color temperature	Color rendering index	Red component	Color fidelity	Color gamut	Color quality scale	Color coordinate cie 1931	Color coordinate cie 1931	Color coordinate	Color coordinate	Color deviation from black body
CCT	CRI	CRI R9	TM30 Rf	TM30 Rg	CQS	x	y	u	v	Δuv
3000 K	90.4	52.2	91.1	99.4	89.6	0.437	0.404	0.251	0.350	0.0026

Beam details



Beam angles

Beam angle 50%	Field angle 10%	Cutoff angle 2,5%
14.6°	31.2°	45.5°

Beam intensities

Peak intensity	Int. ratio in 120° cone	Int. ratio in 90° cone
5748 cd	99.8%	99.7%

Beam intensities from 1-20m

1m	2m	3m	4m	5m	6m	7m	8m	9m	10m	11m	12m	13m	14m	15m	16m	17m	18m	19m	20m
3.3ft	6.6ft	9.8ft	13.1ft	16.4ft	19.7ft	23ft	26.2ft	29.5ft	32.8ft	36.1ft	39.4ft	42.7ft	45.9ft	49.2ft	52.5ft	55.8ft	59.1ft	62.3ft	65.6ft
5741lx	1435lx	638lx	359lx	230lx	159lx	117lx	90lx	71lx	57lx	47lx	40lx	34lx	29lx	26lx	22lx	20lx	18lx	16lx	14lx
533.3fcd	133.3fcd	59.3fcd	33.3fcd	21.3fcd	14.8fcd	10.9fcd	8.3fcd	6.6fcd	5.3fcd	4.4fcd	3.7fcd	3.2fcd	2.7fcd	2.4fcd	2.1fcd	1.8fcd	1.6fcd	1.5fcd	1.3fcd

The above information is for 3000K colour temperature, for specific module information please see LED spec located on our website

For information regarding other colour temperatures please use the following factors for lumen output and candelas:

2700K = 0.82

4000K = 1.11

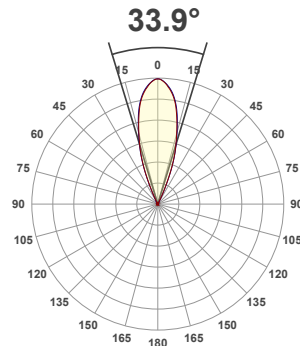
Light efficiency:



Light quality:



Color temperature:



Product name:

**Line 5LED Flare 3000K 34°
500mA**

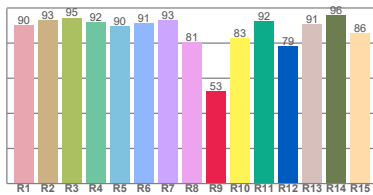
Item number:

2605-FL-30-34-500mA

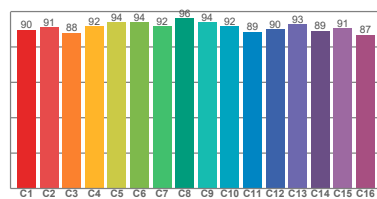
Delivered information for above fixture and LED combination.

Output: 578 Lumen Peak intensity: 1906 cd Power consumption: 9.0

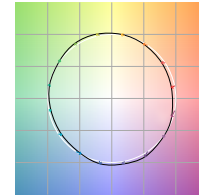
CRI R values



TM30 C Values

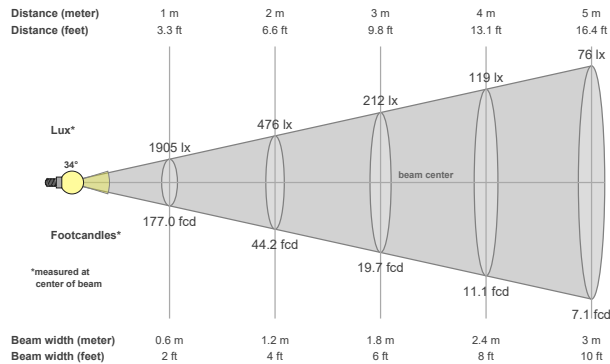


Color vector graphics



Color temperature	Color rendering index	Red component	Color fidelity	Color gamut	Color quality scale	Color coordinate cie 1931	Color coordinate cie 1931	Color coordinate	Color coordinate	Color deviation from black body
CCT	CRI	CRI R9	TM30 Rf	TM30 Rg	CQS	x	y	u	v	Δuv
3000 K	90.5	52.6	91.2	99.5	89.7	0.437	0.404	0.251	0.350	0.0023

Beam details



Beam angles

Beam angle 50%	Field angle 10%	Cutoff angle 2,5%
33.9°	49.8°	55.9°

Beam intensities

Peak intensity	Int. ratio in 120° cone	Int. ratio in 90° cone
1906 cd	99.8%	99.7%

Beam intensities from 1-20m

1m	2m	3m	4m	5m	6m	7m	8m	9m	10m	11m	12m	13m	14m	15m	16m	17m	18m	19m	20m
3.3ft	6.6ft	9.8ft	13.1ft	16.4ft	19.7ft	23ft	26.2ft	29.5ft	32.8ft	36.1ft	39.4ft	42.7ft	45.9ft	49.2ft	52.5ft	55.8ft	59.1ft	62.3ft	65.6ft
1905lx	476lx	212lx	119lx	76lx	53lx	39lx	30lx	24lx	19lx	16lx	13lx	11lx	10lx	8lx	7lx	7lx	6lx	5lx	5lx
177fcd	44.2fcd	19.7fcd	11.1fcd	7.1fcd	4.9fcd	3.6fcd	2.8fcd	2.2fcd	1.8fcd	1.5fcd	1.2fcd	1fcd	0.9fcd	0.8fcd	0.7fcd	0.6fcd	0.5fcd	0.5fcd	0.4fcd

The above information is for 3000K colour temperature, for specific module information please see LED spec located on our website

For information regarding other colour temperatures please use the following factors for lumen output and candelas:

2700K = 0.82

4000K = 1.11

Light efficiency:

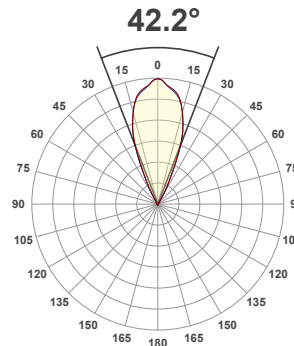
65 Lumen/Watt

Light quality:

CRI: 90.5

Color temperature:

3000 K



Product name:

**Line 5LED Flare 3000K 48°
500mA**

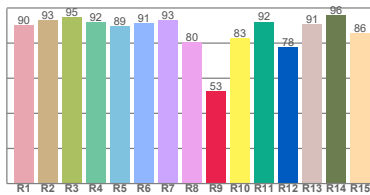
Item number:

2605-FL-30-48-500mA

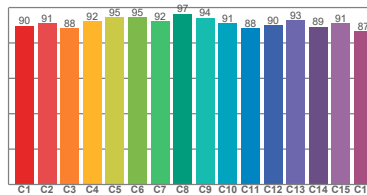
**Delivered information for above
fixture and LED combination.**

Output: 587 Lumen Peak intensity: 1343 cd Power consumption: 9.0

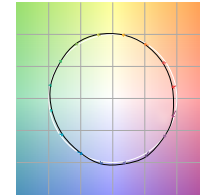
CRI R values



TM30 C Values

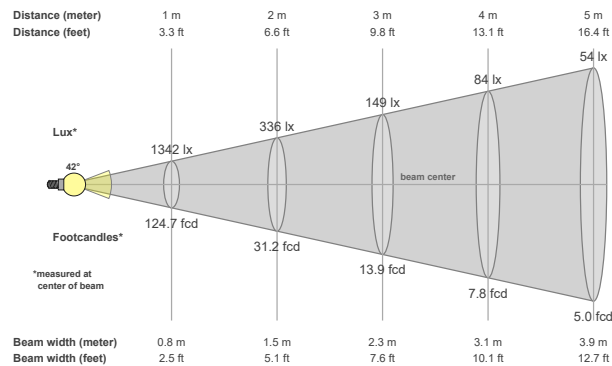


Color vector graphics



Color temperature	Color rendering index	Red component	Color fidelity	Color gamut	Color quality scale	Color coordinate cie 1931	Color coordinate cie 1931	Color coordinate	Color coordinate	Color deviation from black body
CCT	CRI	CRI R9	TM30 Rf	TM30 Rg	CQS	x	y	u	v	Δuv
3000 K	90.5	52.5	91.4	99.1	89.8	0.437	0.404	0.251	0.350	0.0026

Beam details



Beam angles

Beam angle 50%	Field angle 10%	Cutoff angle 2,5%
42.2°	59.3°	66.9°

Beam intensities

Peak intensity	Int. ratio in 120° cone	Int. ratio in 90° cone
1343 cd	99.9%	99.8%

Beam intensities from 1-20m

1m	2m	3m	4m	5m	6m	7m	8m	9m	10m	11m	12m	13m	14m	15m	16m	17m	18m	19m	20m
3.3ft	6.6ft	9.8ft	13.1ft	16.4ft	19.7ft	23ft	26.2ft	29.5ft	32.8ft	36.1ft	39.4ft	42.7ft	45.9ft	49.2ft	52.5ft	55.8ft	59.1ft	62.3ft	65.6ft
1342lx	336lx	149lx	84lx	54lx	37lx	27lx	21lx	17lx	13lx	11lx	9lx	8lx	7lx	6lx	5lx	5lx	4lx	4lx	3lx
124.7fcd	31.2fcd	13.9fcd	7.8fcd	5fcd	3.5fcd	2.5fcd	1.9fcd	1.5fcd	1.2fcd	1fcd	0.9fcd	0.7fcd	0.6fcd	0.6fcd	0.5fcd	0.4fcd	0.4fcd	0.3fcd	0.3fcd

The above information is for 3000K colour temperature, for specific module information please see LED spec located on our website

For information regarding other colour temperatures please use the following factors for lumen output and candelas:

2700K = 0.82

4000K = 1.11