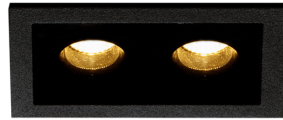
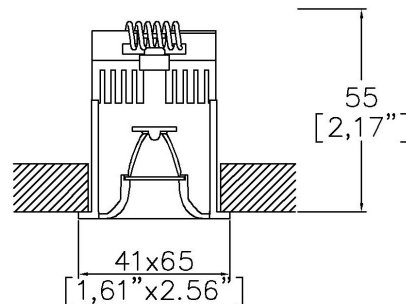


## ProSpex Line 2LED Flare



41 x 65mm (1.61" x 2.56") overall dimension. Fully recessed downlight for interior installation with remote driver installation. Family of matching products also available.



2602-FL-TR  
Cut out 59 x 35mm

LED Source	LED	LED	LED
CCT	3000K	3000K	3000K
Drive Current	700mA	700mA	700mA
Power inc Driver	5.2W	5.2W	5.2W
Beam Angle	12°	34°	48°
Delivered Lumens	266	297	308
Delivered Intensity cd	2829	955	621
Efficacy lm/w	52	57	60
Forward Volt	6V	6V	6V
CRI	≥90 CRI	≥90 CRI	≥90 CRI

Project Ref: \_\_\_\_\_

Location Ref: \_\_\_\_\_

Fixture Order Code: 2602-FL-TR - [ ] - [ ] - [ ] - [ ]

Fixture 2602-FL-TR Line 2LED Flared Baffle Trim

CCT 27 90 CRI 2700K
30 90 CRI 3000K
40 90 CRI 4000K

Finish BK Black\*

Beam 12 12°
34 34°
48 48°

Protocol (Remote Driver) S Non-Dim
A Analogue (0-10v)
P Phase
D DALI
B Bluetooth\*\*

Required depth is for the fitting only. If drivers need to be located locally the depth requirement may increase depending on the driver. Please contact Lucent Lighting for more information.

Technical Details

\*Other RAL trim finishes upon application

Dimming. Whilst Lucent can offer the majority of its luminaires with various dimming options, it remains the responsibility of the specifier/installer to check and ensure compatibility of any control equipment used.

\*\*Bluetooth (wireless) is the communication method. The exact dimming protocol must be confirmed to allow the selection of suitable drivers or bluetooth devices.

^ Depth indicated is the minimum recess depth for the luminaire with a remote mounted LED driver. Installing a driver through either the luminaire cut-out or installation kit may require additional recess depth, please refer to the relevant luminaire installation instructions for further details.

First Fix Requirement. Luminaire comprised of fixture body with ceiling trim and installation kit, which is to be fitted into the ceiling once finished.

IP Rating. Tested from underside of the ceiling

It is the policy of Lucent Lighting to continually review and improve its products and therefore reserve the right to change any details of product or withdraw specifications without prior notice.

Luminaires designed to comply with EN60598 and all other standards.

This specification sheet superseded all previous versions.

All intellectual property rights pertaining to the product described above and to this document are owned by or licensed to Lucent Lighting Ltd.

We reserve the right to take whatever action is necessary to protect those intellectual property rights.

Please notify Lucent Lighting Ltd of any inaccuracies immediately. E&OE

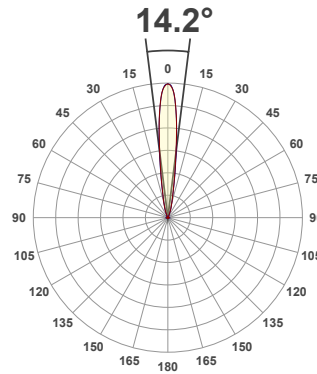
**Light efficiency:**



**Light quality:**



**Color temperature:**



Product name:

**Line 2LED Flare, 3000K, 12°, 700mA**

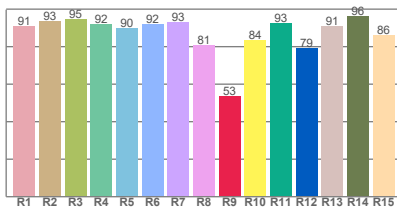
Item number:

**2602-FL-30-12-700mA**

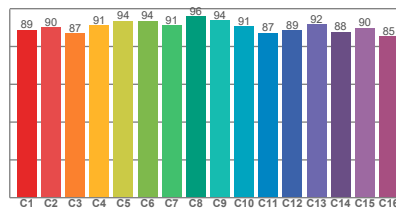
**Delivered information for above fixture and LED combination.**

**Output: 266 Lumen Peak intensity: 2829 cd Power consumption: 5.2**

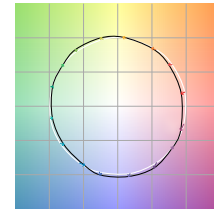
CRI R values



TM30 C Values

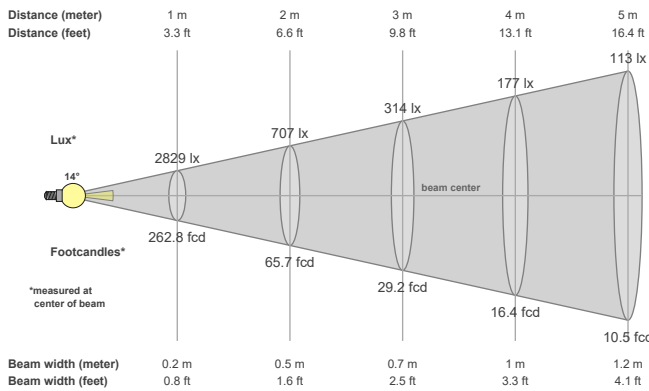


Color vector graphics



Color temperature	Color rendering index	Red component	Color fidelity	Color gamut	Color quality scale	Color coordinate cie 1931	Color coordinate cie 1931	Color coordinate	Color coordinate	Color deviation from black body
CCT	CRI	CRI R9	TM30 Rf	TM30 Rg	CQS	x	y	u	v	Δuv
3000 K	90.8	53.5	90.3	99.5	89.8	0.437	0.404	0.253	0.351	0.0020

**Beam details**



**Beam angels**

Beam angle 50%	Field angle 10%	Cutoff angle 2,5%
14.2°	31.5°	45.1°

**Beam intensities**

Peak intensity	Int. ratio in 120° cone	Int. ratio in 90° cone
2829 cd	99.7%	99.5%

**Beam intensities from 1-20m**

1m	2m	3m	4m	5m	6m	7m	8m	9m	10m	11m	12m	13m	14m	15m	16m	17m	18m	19m	20m
3.3ft	6.6ft	9.8ft	13.1ft	16.4ft	19.7ft	23ft	26.2ft	29.5ft	32.8ft	36.1ft	39.4ft	42.7ft	45.9ft	49.2ft	52.5ft	55.8ft	59.1ft	62.3ft	65.6ft
2829lx	707lx	314lx	177lx	113lx	79lx	58lx	44lx	35lx	28lx	23lx	20lx	17lx	14lx	13lx	11lx	10lx	9lx	8lx	7lx
262.8fcd	65.7fcd	29.2fcd	16.4fcd	10.5fcd	7.3fcd	5.4fcd	4.1fcd	3.2fcd	2.6fcd	2.2fcd	1.8fcd	1.6fcd	1.3fcd	1.2fcd	1fcd	0.9fcd	0.8fcd	0.7fcd	0.7fcd

The above information is for 3000K colour temperature, for specific module information please see LED spec located on our website

For information regarding other colour temperatures please use the following factors for lumen output and candelas:

2700K = 0.82  
4000K = 1.11

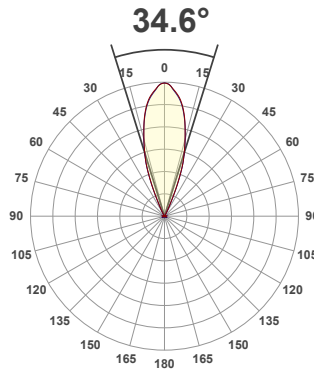
**Light efficiency:**



**Light quality:**



**Color temperature:**



**Product name:**

**Line 2LED Flare, 3000K, 34°, 700mA**

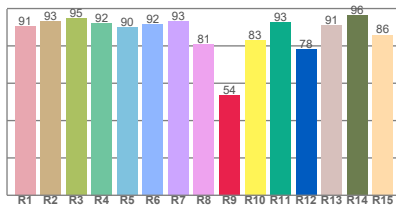
**Item number:**

**2602-FL-30-34-700mA**

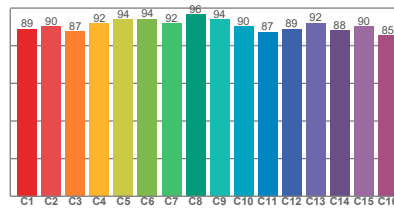
**Delivered information for above fixture and LED combination.**

**Output: 297 Lumen    Peak intensity: 955 cd    Power consumption: 5.2**

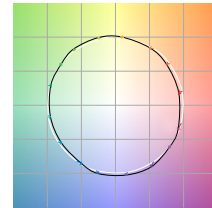
**CRI R values**



**TM30 C Values**

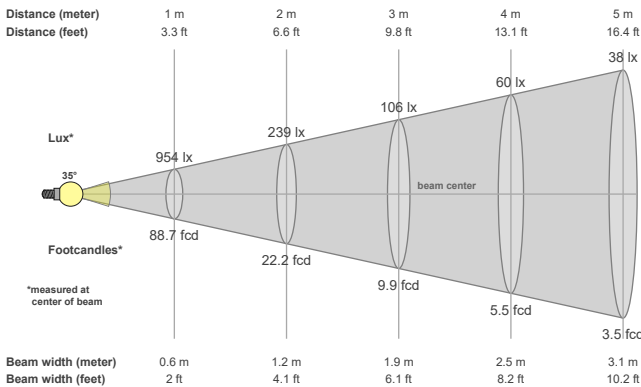


**Color vector graphics**



Color temperature	Color rendering index	Red component	Color fidelity	Color gamut	Color quality scale	Color coordinate cie 1931	Color coordinate cie 1931	Color coordinate	Color coordinate	Color deviation from black body
CCT	CRI	CRI R9	TM30 Rf	TM30 Rg	CQS	x	y	u	v	Δuv
3000 K	90.8	53.8	90.6	99.2	90.0	0.437	0.404	0.251	0.351	0.0027

**Beam details**



**Beam angles**

Beam angle 50%	Field angle 10%	Cutoff angle 2,5%
34.6°	49.9°	57°

**Beam intensities**

Peak intensity	Int. ratio in 120° cone	Int. ratio in 90° cone
955 cd	99.7%	99.5%

**Beam intensities from 1-20m**

1m	2m	3m	4m	5m	6m	7m	8m	9m	10m	11m	12m	13m	14m	15m	16m	17m	18m	19m	20m
3.3ft	6.6ft	9.8ft	13.1ft	16.4ft	19.7ft	23ft	26.2ft	29.5ft	32.8ft	36.1ft	39.4ft	42.7ft	45.9ft	49.2ft	52.5ft	55.8ft	59.1ft	62.3ft	65.6ft
954lx	239lx	106lx	60lx	38lx	27lx	19lx	15lx	12lx	10lx	8lx	7lx	6lx	5lx	4lx	4lx	3lx	3lx	3lx	2lx
88.7fcd	22.2fcd	9.9fcd	5.5fcd	3.5fcd	2.5fcd	1.8fcd	1.4fcd	1.1fcd	0.9fcd	0.7fcd	0.6fcd	0.5fcd	0.5fcd	0.4fcd	0.3fcd	0.3fcd	0.3fcd	0.2fcd	0.2fcd

The above information is for 3000K colour temperature, for specific module information please see LED spec located on our website

For information regarding other colour temperatures please use the following factors for lumen output and candelas:

2700K = 0.82

4000K = 1.11

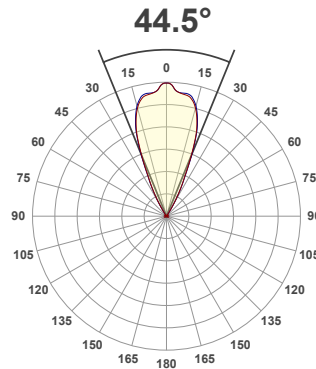
**Light efficiency:**



**Light quality:**



**Color temperature:**



**Product name:**

**Line 2LED Flare, 3000K, 48°, 700mA**

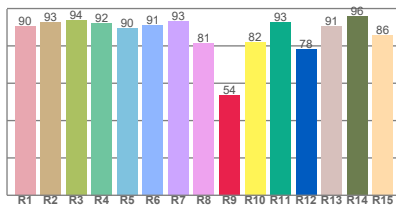
**Item number:**

**2602-FL-30-48-700mA**

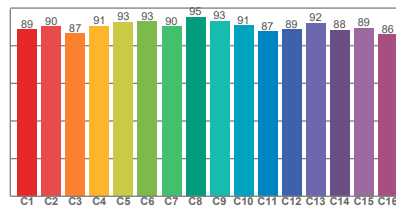
**Delivered information for above fixture and LED combination.**

**Output: 308 Lumen    Peak intensity: 621 cd    Power consumption: 5.2**

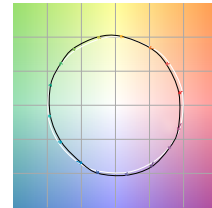
**CRI R values**



**TM30 C Values**

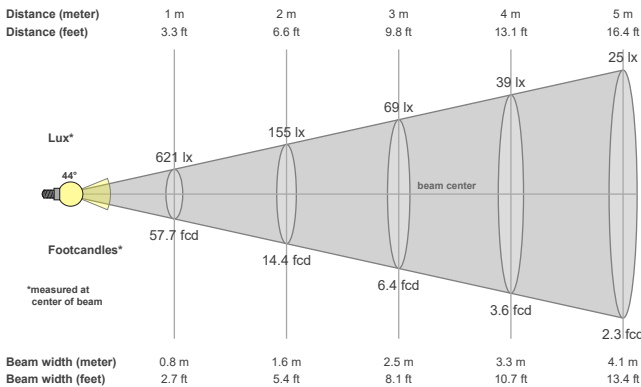


**Color vector graphics**



Color temperature	Color rendering index	Red component	Color fidelity	Color gamut	Color quality scale	Color coordinate cie 1931	Color coordinate cie 1931	Color coordinate	Color coordinate	Color deviation from black body
CCT	CRI	CRI R9	TM30 Rf	TM30 Rg	CQS	x	y	u	v	Δuv
3000 K	90.5	53.7	90.1	99.6	89.8	0.437	0.404	0.250	0.350	0.0027

**Beam details**



**Beam angles**

Beam angle 50%	Field angle 10%	Cutoff angle 2,5%
44.5°	61.1°	67.5°

**Beam intensities**

Peak intensity	Int. ratio in 120° cone	Int. ratio in 90° cone
621 cd	99.5%	99.3%

**Beam intensities from 1-20m**

1m	2m	3m	4m	5m	6m	7m	8m	9m	10m	11m	12m	13m	14m	15m	16m	17m	18m	19m	20m
3.3ft	6.6ft	9.8ft	13.1ft	16.4ft	19.7ft	23ft	26.2ft	29.5ft	32.8ft	36.1ft	39.4ft	42.7ft	45.9ft	49.2ft	52.5ft	55.8ft	59.1ft	62.3ft	65.6ft
621lx	155lx	69lx	39lx	25lx	17lx	13lx	10lx	8lx	6lx	5lx	4lx	4lx	3lx	3lx	2lx	2lx	2lx	2lx	2lx
57.7fcd	14.4fcd	6.4fcd	3.6fcd	2.3fcd	1.6fcd	1.2fcd	0.9fcd	0.7fcd	0.6fcd	0.5fcd	0.4fcd	0.3fcd	0.3fcd	0.3fcd	0.2fcd	0.2fcd	0.2fcd	0.2fcd	0.1fcd

The above information is for 3000K colour temperature, for specific module information please see LED spec located on our website

For information regarding other colour temperatures please use the following factors for lumen output and candelas:

2700K = 0.82

4000K = 1.11