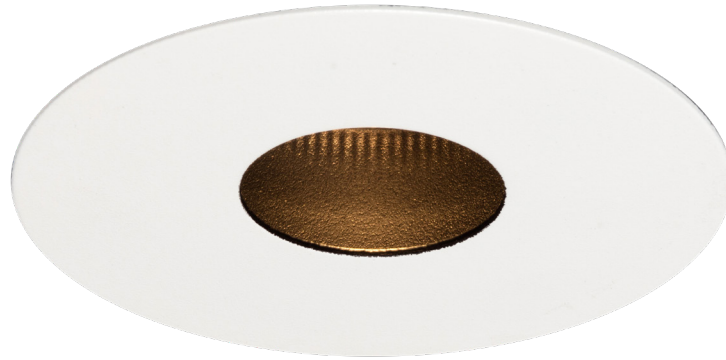
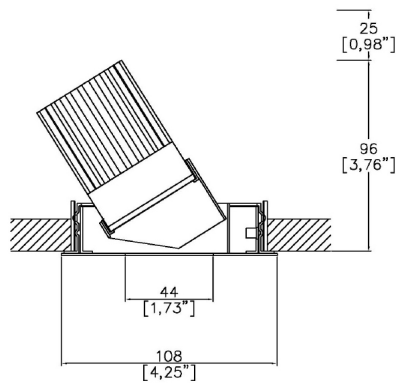


Pinhole4.25 Accent



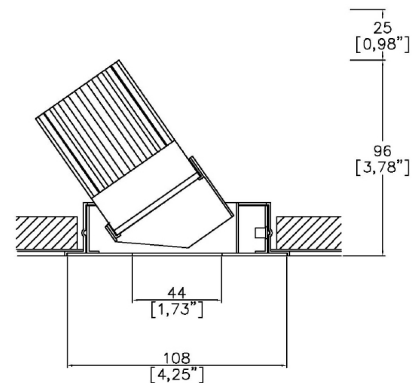
Pinhole4.25 provides high performance electronics and architectural aesthetics in 4.25” trim with a 1.73” aperture. Pinhole products include adjustable, fixed and washlight in a flanged or trimless installation kit. Tray, retrofit and housing installation methods (NIC, IC, AT, T24 and CCEA) Multiple configurations for equal spacing also available. Lucent modules available in a wide range of color temperatures, beam angles, intensities, and effects (Ambiance WarmDim and Dynamic Tuneable White). MR16 and GU10 LED lamp options available. TRIAC/Phase, 0-10v/1-10v, DMX and DALI/ Digital dimming.



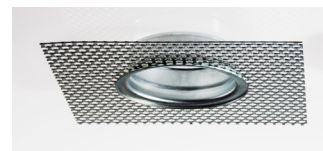
A30413-A-LED + 3000-PBZ
360° rotation. Up to 30° tilt.
Cut-out 103mm (4.00”) Ø



**Installation kit for overlap flange
3000-PBZ**



A30413-A-LED + 3000-PCZ
360° rotation. Up to 30° tilt.
Cut-out 98mm (3.85”) Ø



**Mud-in kit for seamless/trimless
3000-PCZ**

	LED5IWD	LED5IWD
LED Source	3000K	3000K
CCT	3000K	3000K
Drive Current	500mA	500mA
Power inc Driver	17.1W	17.1W
Beam Angle	28°	39°
Delivered Lumens	579	671
Delivered Intensisty cd	2035	1330
Efficacy lm/w	34	39
Forward Volt	29.1V	29.1V
CRI	≥95 CRI	≥95 CRI

Test results at full output

Project Ref: _____

Location Ref: _____

Specify fixture part number (All boxes must be filled in to correctly order)

A30413-A-LED					LED5IWD								
--------------	--	--	--	--	---------	--	--	--	--	--	--	--	--

Finish
WH White
BK Black

Location
XX Dry
DP Damp
WT Wet

Installation
PB 3000-PBZ Flange kit
PC 3000-PCZ Mud-in kit

Ceiling Thickness
SC Standard Ceiling (1/2"-5/8"-3/4")
C Custom

LED Type
LED5IWD LED5IWD (95CRI)

CCT
2720 2700K - 2000K
3020 3000K - 2000K

Beam Angles
28 28
39 39

Housing/Tray
LMT-13-NIC Mounting Tray Non-Insulated ceilings
LH-6.75-NIC Housing 6.75" Non-Insulated ceilings
LH-8.50-AT/IC Housing 8.50" Insulated/Air-tight ceilings and Chicago Plenum

Mounting Hardware
09
14
36
BB
CB

Supply Voltage
120 120V
277 277V

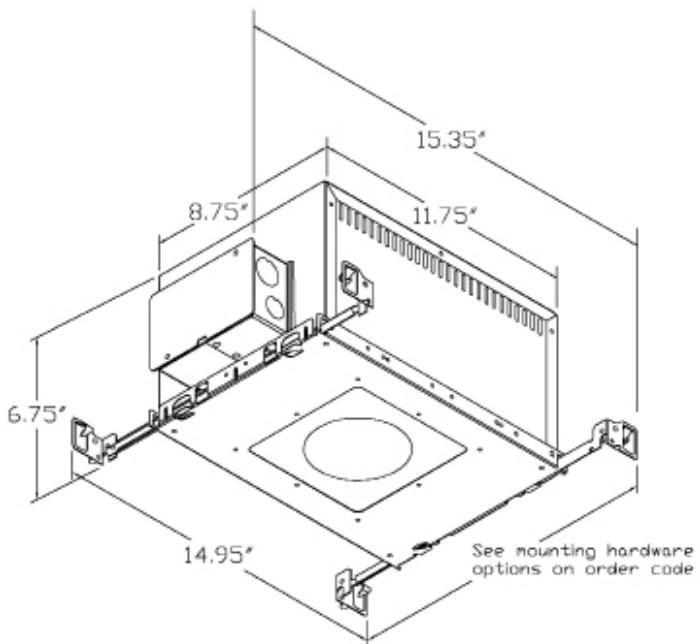
Dimming Protocol
S Non-Dimmable
P TRIAC/Phase (120C/Phase (120VV ONL ONLY))***
AWN Athena wireless RF node****
LHE EcoSystem Hi-Lume Fade to Black (1% Dimming)
LAE Lutron 3-Wire Hi-Lume (1% Dimming)
LHP Lutron Hi-Lume Premier EcoSystem (0.1% Dimming)
A 0-10V (15-5% Minimum Dimming)***
ESD EldoLED Solo DALI2 (0.1% Dimming)
EED EldoLED Eco DALI2 (1% Dimming)
ESA EldoLED Solo 0-10V/1-10V (0.1% Dimming)
EEA EldoLED Eco 0-10V/1-10V (1% Dimming)
B Bluetooth**

Emergency
E 1.5 Emergency
ES 1.5 Self Test

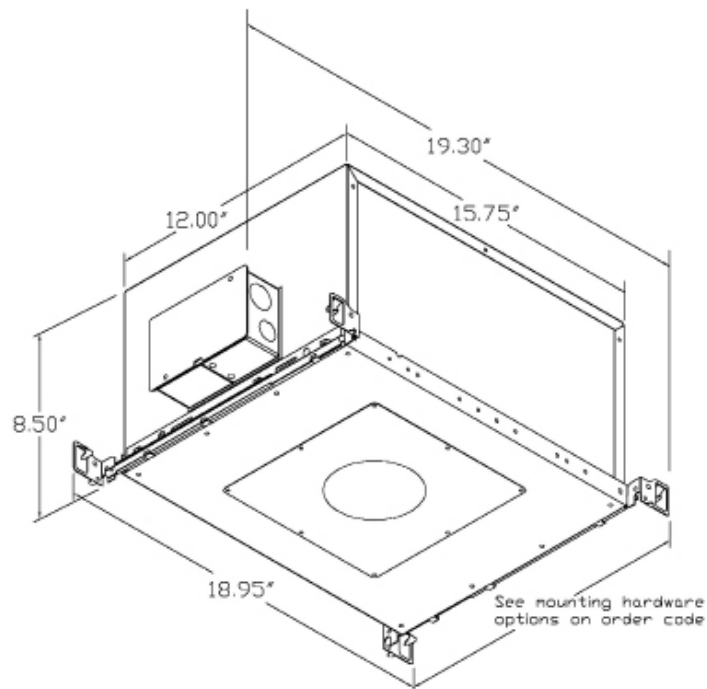
Louvre/Lens
XX Not required
LL45 Honeycomb
LLCC Warm Tone
LLUV UV
LLDF Solite/Diffusing
LLFR Frosted Lens
LLLS Linear Spread
LLHS Heavy Spread

*Refer to Technical Details for more information

Housing dimensions

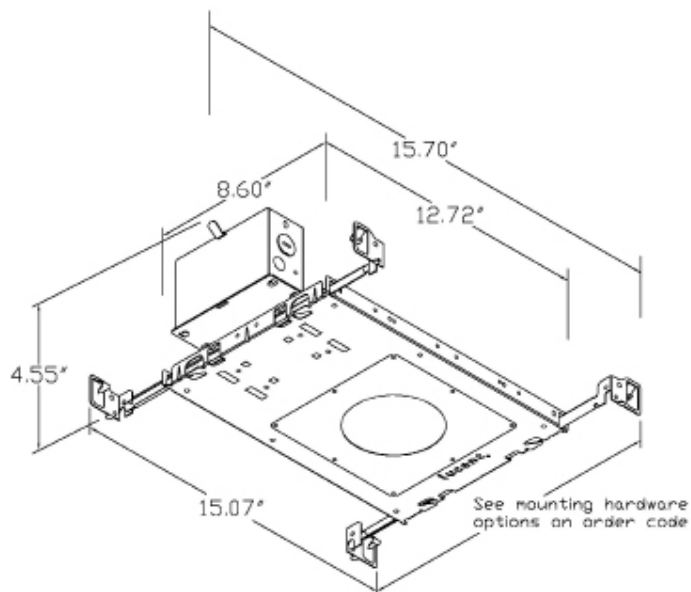


LH-6.75
Non-insulated ceilings

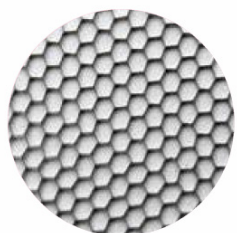


LH-8.50
Insulated/air-tight ceilings and
Chicago Plenum

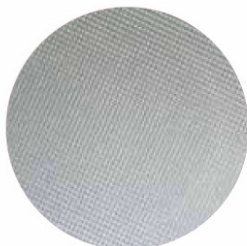
Tray dimensions



LMT-13
Non-insulated ceilings



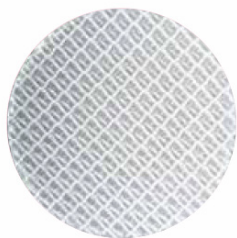
Honeycomb Louvre (LL45)



Solite/Diffusing Lens (LLDF)



Frosted Lens (LLFR)



Heavy Spread Lens (LLHS)



Linear Spread Lens (LLLS)



Warm Tone (LLCC)

Technical Details

*Custom color requires a paint chip or RAL code and may increase price and lead-time

It is the responsibility of the specifier/integrator/installer to check and ensure compatibility of any control equipment used. Additional cabling may be required depending on the dimming protocol specified.

**Bluetooth (wireless) is a communication protocol. The exact dimming protocol must be confirmed to allow the selection of suitable drivers or Bluetooth devices.

***Non specific driver type, dimming performance depending on exact driver used. Contact Lucent Lighting for more information.

^ Depth indicated is the minimum recess depth for the luminaire with a remote mounted LED driver. Installing a driver through either the luminaire cut-out or installation kit may require additional recess depth, please refer to the relevant installation instructions prior to purchase.

First Fix Requirement. Luminaire comprised of fixture body with ceiling trim and installation kit, which is to be fitted into the ceiling once finished. Ensure correct alignment of the installation kit before final assembly (see luminaire installation instructions for details)

Location. Tested from underside of the ceiling.

Data correct at time of publishing. It is the policy of Lucent Lighting to continually review and improve its products and therefore reserve the right to change any details of product or withdraw specifications without prior notice.

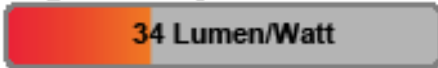
This specification sheet supersedes all previous versions.

All intellectual property rights pertaining to the product described above and to this document are owned by or licensed to Lucent Lighting, Incorporated. Lucent Lighting reserves the right to take whatever action is necessary to protect its intellectual property, patents and trademarks

Please notify Lucent Lighting Inc. inaccuracies. E&OE



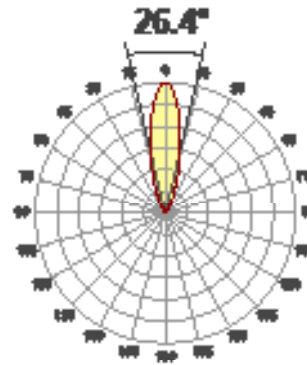
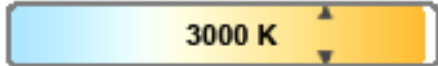
Light efficiency:



Light quality:



Color temperature:



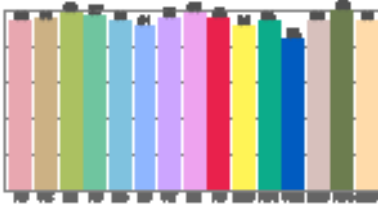
Product name:
Pinhole4.25 Fixed/Accent -
LED51WD-3020-28-500mA

Item number:
A30413-F/A -
LED51WD-3020-28-500mA

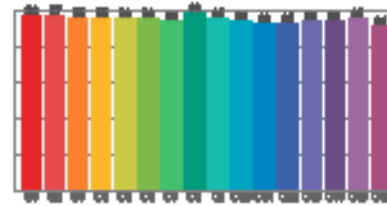
**Delivered information for
above fixture and LED
combination.**

Output: 579 Lumen Peak intensity: 2035 cd Power consumption: 17.1

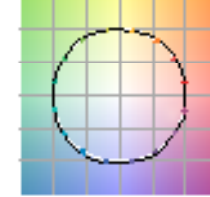
CRI values



TM30 C Values

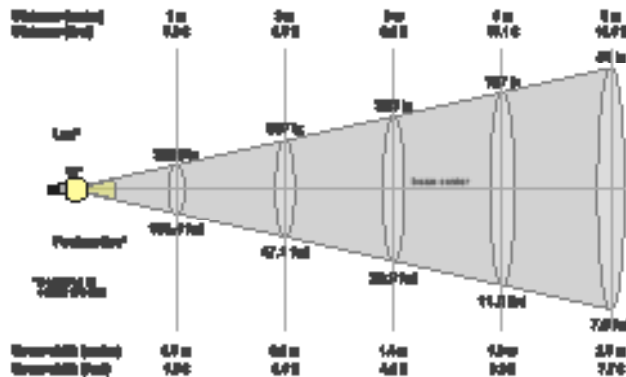


Color vector graphics



Colorvector	Colorvector TM30	Red-render	Colorfidelity	Greenness	Blue-white index	Color rendering index	Colorvector TM30	Blue-white	Color rendering	Colorvector TM30
CCT	CRI	CRI RB	TM30 Rf	TM30 Rg	CRI	x	y	u	v	Zen
3000 K	95.5	95.8	94.7	102.9	94.8	0.457	0.404	0.268	0.342	-0.000

Beam details



Beam specs

Beam angle 26.4°	Field angle 54.7°	Cutoff angle 2.05°
26.4°	54.7°	2.05°

Beam intensities

Peak intensity	Inf. ratio to 120° axis	Inf. ratio to 90° axis
2035 cd	88.7%	88.4%

Beam intensities from 1-20m

1m	2m	3m	4m	5m	6m	7m	8m	9m	10m	11m	12m	13m	14m	15m	16m	17m	18m	19m	20m
3.3ft	6.6ft	9.8ft	13.1ft	16.4ft	19.7ft	23ft	26.2ft	29.5ft	32.8ft	36.1ft	39.4ft	42.7ft	45.9ft	49.2ft	52.5ft	55.8ft	59.1ft	62.3ft	65.6ft
2028lx	507lx	225lx	127lx	81lx	56lx	41lx	32lx	25lx	20lx	17lx	14lx	12lx	10lx	9lx	8lx	7lx	6lx	6lx	5lx
188.4cd	47.1fcd	20.9fcd	11.8fcd	7.5fcd	5.2fcd	3.8fcd	2.9fcd	2.3fcd	1.9fcd	1.6fcd	1.3fcd	1.1fcd	1fcd	0.8fcd	0.7fcd	0.7fcd	0.6fcd	0.5fcd	0.5fcd

The above information is for 3000K colour temperature, for specific module information please see LED spec located on our website

For information regarding other colour temperatures please use the following factors for lumen output and candelas:

2700K = 0.93

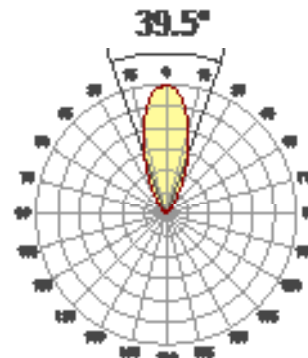
Light efficiency:



Light quality:



Color temperature:

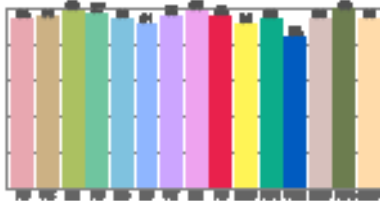


Product name:
Pinhole4.25 Fixed/Accent -
LED51WD-3020-39-500mA
Item number:
A30413-F/A -
LED51WD-3020-39-500mA

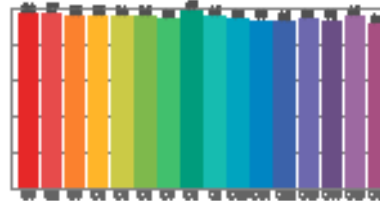
**Delivered information for
above fixture and LED
combination.**

Output: 671 Lumen Peak intensity: 1330 cd Power consumption: 17.1

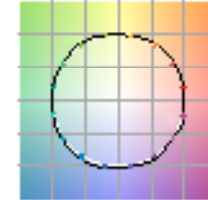
CRI values



TM30 C Values

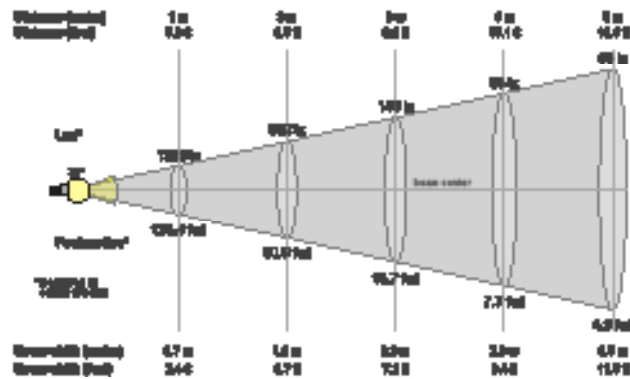


Color vector graphics



Colorvector	Colorvector TM30	Red-render	ColorFidelity	Colorcast	Color cast TM30	Color rendering TM30	Colorvector TM30	Colorvector	Color vector	Color vector TM30
CCT	CRI	CRI RD	TM30 RfT	TM30 Rg	CRI	x	y	u	v	Zmax
3000 K	95.5	96.7	94.7	100.1	94.7	0.437	0.404	0.267	0.342	-0.0078

Beam data



Beam angles

Beam angle 50%	Field angle 50%	Cutoff angle 2.0%
39.5°	59.4°	88.2°

Beam intensities

Peak intensity	Inf. ratio to 120° cone	Inf. ratio to 60° cone
1330 cd	88.8%	87.8%

Beam intensities from 1-20m

1m	2m	3m	4m	5m	6m	7m	8m	9m	10m	11m	12m	13m	14m	15m	16m	17m	18m	19m	20m
3.3ft	6.6ft	9.9ft	13.1ft	16.4ft	19.7ft	23ft	26.2ft	29.5ft	32.8ft	36.1ft	39.4ft	42.7ft	45.9ft	49.2ft	52.5ft	55.8ft	59.1ft	62.3ft	65.6ft
1329lx	332lx	148lx	83lx	53lx	37lx	27lx	21lx	16lx	13lx	11lx	9lx	8lx	7lx	6lx	5lx	5lx	4lx	4lx	3lx
123.4cd	30.9cd	13.7cd	7.7cd	4.9cd	3.4cd	2.5cd	1.9cd	1.5cd	1.2cd	1cd	0.9cd	0.7cd	0.6cd	0.5cd	0.5cd	0.4cd	0.4cd	0.3cd	0.3cd

The above information is for 3000K colour temperature, for specific module information please see LED spec located on our website

For information regarding other colour temperatures please use the following factors for lumen output and candelas:

2700K = 0.93