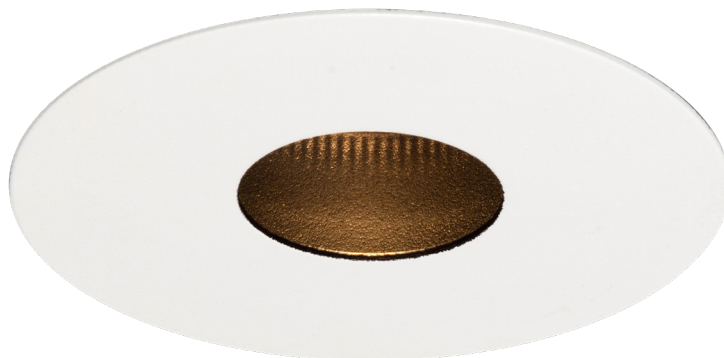
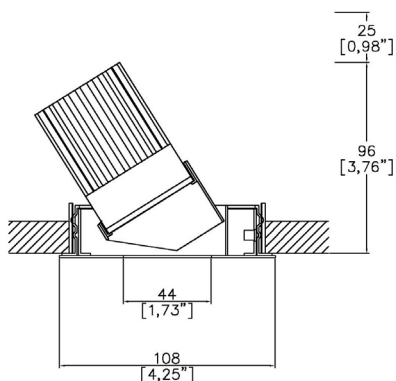


Pinhole4.25 Accent



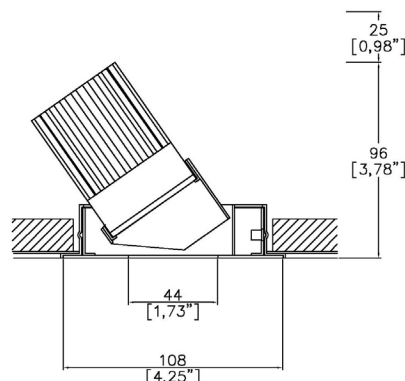
Pinhole4.25 provides high performance electronics and architectural aesthetics in 4.25” trim with a 1.73” aperture. Pinhole products include adjustable, fixed and washlight in a flanged or trimless installation kit. Tray, retrofit and housing installation methods (NIC, IC, AT, T24 and CCEA) Multiple configurations for equal spacing also available. Lucent modules available in a wide range of color temperatures, beam angles, intensities, and effects (Ambiance WarmDim and Dynamic Tuneable White). MR16 and GU10 LED lamp options available. TRIAC/Phase, 0-10v/1-10v, DMX and DALI/ Digital dimming.



A30413-A-LED + 3000-PBZ
360° rotation. Up to 30° tilt.
Cut-out 103mm (4.00”) Ø



**Installation kit for overlap flange
3000-PBZ**



A30413-A-LED + 3000-PCZ
360° rotation. Up to 30° tilt.
Cut-out 98mm (3.85”) Ø



**Mud-in kit for seamless/trimless
3000-PCZ**

LED Source	LED51/2	LED51/2	LED51/2	LED51/2	LED51/U	LED51/U	LED51/U	LED51/U
CCT	3000K	3000K	3000K	3000K	3000K	3000K	3000K	3000K
Drive Current	350mA	350mA	350mA	350mA	350mA	350mA	350mA	350mA
Power inc Driver	13.6W	13.6W	13.6W	13.6W	13.6W	13.6W	13.6W	13.6W
Beam Angle	12°	24°	38°	55°	12°	24°	38°	55°
Delivered Lumens	768	829	918	956	698	699	844	723
Delivered Intensisty cd	10627	4573	2660	1419	10293	4094	1966	1038
Efficacy lm/w	56	61	68	70	51	51	62	53
Forward Volt	33V	33V	33V	33V	33V	33V	33V	33V
CRI	≥90 CRI	≥90 CRI	≥90 CRI	≥90 CRI	≥98 CRI	≥98 CRI	≥98 CRI	≥98 CRI

Project Ref: _____

Location Ref: _____

Specify fixture part number (All boxes must be filled in to correctly order)

A30413-A-LED														
---------------------	--	--	--	--	--	--	--	--	--	--	--	--	--	--

Finish
WH White
BK Black

Location
XX Dry
DP Damp
WT Wet

Installation
PB 3000-PBZ Flange kit
PC 3000-PCZ Mud-in kit

Ceiling Thickness
SC Standard Ceiling (1/2"-5/8"-3/4")
C Custom

LED Type
LED51/2 LED51/2 (90CRI)
LED51/U LED51/U (98CRI)

CCT
27 2700K
30 3000K
35 3500K
40 4000K (90 CRI ONLY)

Beam Angles
12 12
24 24
38 38
55 55

Housing/Tray
LMT-13-NIC Mounting Tray Non-Insulated ceilings
LH-6.75-NIC Housing 6.75" Non-Insulated ceilings
LH-8.50-AT/IC Housing 8.50" Insulated/Air-tight ceilings and Chicago Plenum

Mounting Hardware
09 9" to 15.25" - Adjustable Bar Hanger Lengths
14 14" to 24" - Adjustable Bar Hanger Lengths
36 28" to 36" - Adjustable Bar Hanger Lengths
BB Butterfly Bracket
CB Caterpillar Bracket

Supply Voltage
120 120V
277 277V

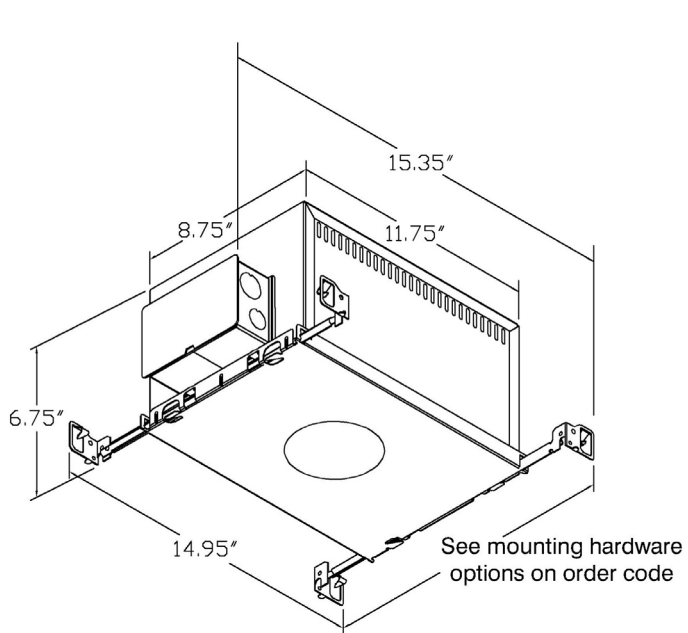
Dimming Protocol
S Non-Dimmable
P TRIAC/Phase (120C/Phase (120VV ONL ONLY))***
AWN Athena wireless RF node****
LHE EcoSystem Hi-Lume Fade to Black (1% Dimming)
LAE Lutron 3-Wire Hi-Lume (1% Dimming)
LHP Lutron Hi-Lume Premier EcoSystem (0.1% Dimming)
A 0-10V (15-5% Minimum Dimming)***
ESD EldoLED Solo DALI2 (0.1% Dimming)
EED EldoLED Eco DALI2 (1% Dimming)
ESA EldoLED Solo 0-10V/1-10V (0.1% Dimming)
EEA EldoLED Eco 0-10V/1-10V (1% Dimming)
B Bluetooth**

Emergency
E 1.5h Emergency
ES 1.5h Self test

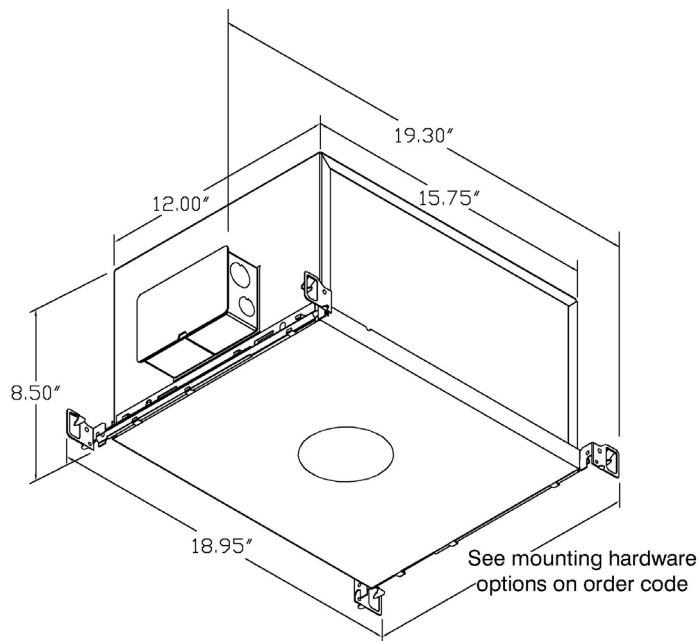
Louvre/Lens
XX Not required
LL45 Honeycomb
LLCC Warm Tone
LLUV UV
LLDF Solite/Diffusing
LLFR Frosted Lens
LLLS Linear Spread
LLHS Heavy Spread

*Refer to Technical Details for more information

Housing dimensions

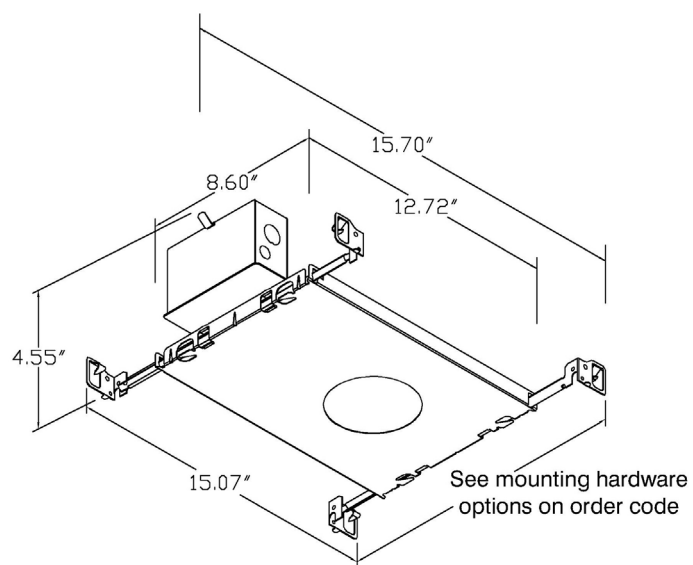


LH-6.75
Non-insulated ceilings

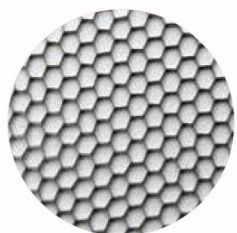


LH-8.50
Insulated/air-tight ceilings and
Chicago Plenum

Tray dimensions



LMT-13
Non-insulated ceilings



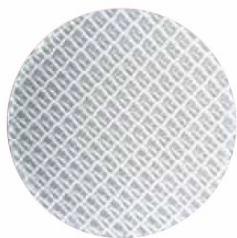
Honeycomb Louvre (LL45)



Solite/Diffusing Lens (LLDF)



Frosted Lens (LLFR)



Heavy Spread Lens (LLHS)



Linear Spread Lens (LLLS)



Warm Tone (LLCC)

Technical Details

*Custom color requires a paint chip or RAL code and may increase price and lead-time

It is the responsibility of the specifier/integrator/installer to check and ensure compatibility of any control equipment used. Additional cabling may be required depending on the dimming protocol specified.

**Bluetooth (wireless) is a communication protocol. The exact dimming protocol must be confirmed to allow the selection of suitable drivers or Bluetooth devices.

***Non specific driver type, dimming performance depending on exact driver used. Contact Lucent Lighting for more information.

^ Depth indicated is the minimum recess depth for the luminaire with a remote mounted LED driver. Installing a driver through either the luminaire cut-out or installation kit may require additional recess depth, please refer to the relevant installation instructions prior to purchase.

First Fix Requirement. Luminaire comprised of fixture body with ceiling trim and installation kit, which is to be fitted into the ceiling once finished. Ensure correct alignment of the installation kit before final assembly (see luminaire installation instructions for details)

Location. Tested from underside of the ceiling.

Data correct at time of publishing. It is the policy of Lucent Lighting to continually review and improve its products and therefore reserve the right to change any details of product or withdraw specifications without prior notice.

This specification sheet supersedes all previous versions.

All intellectual property rights pertaining to the product described above and to this document are owned by or licensed to Lucent Lighting, Incorporated. Lucent Lighting reserves the right to take whatever action is necessary to protect its intellectual property, patents and trademarks

Please notify Lucent Lighting Inc. inaccuracies. E&OE



Light efficiency:

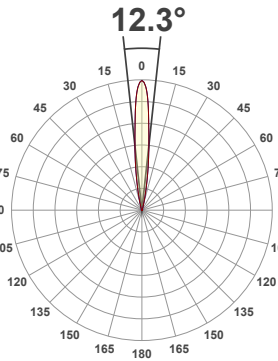
56 Lumen/Watt

Light quality:

CRI: 92.2

Color temperature:

3000 K



Product name:

Pinhole4.25 Fixed/Accent - LED51/2-30-12-350mA

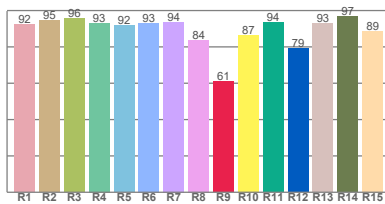
Item number:

A30413-F/A - LED51/2-30-12-350mA

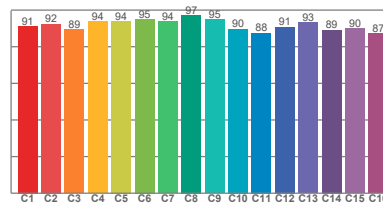
Delivered information for above fixture and LED combination.

Output: 768 Lumen Peak intensity: 10627 cd Power consumption: 13.6

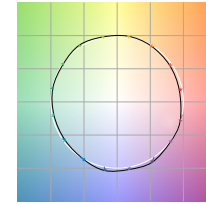
CRI R values



TM30 C Values

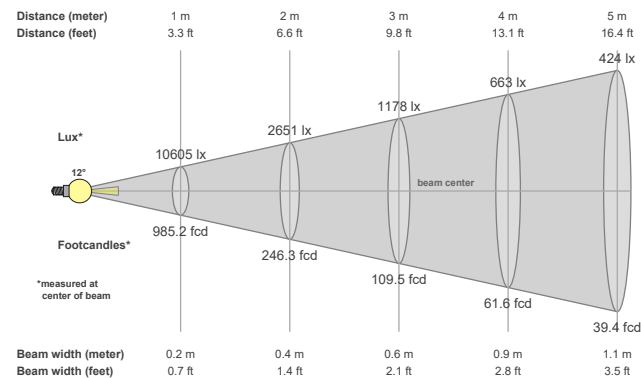


Color vector graphics



Color temperature	Color rendering index	Red component	Color fidelity	Color gamut	Color quality scale	Color coordinate cie 1931	Color coordinate cie 1931	Color coordinate	Color coordinate	Color deviation from black body
CCT	CRI	CRI R9	TM30 Rf	TM30 Rg	CQS	x	y	u	v	Δuv
3000 K	92.2	60.9	91.8	100.0	90.8	0.437	0.404	0.248	0.347	0.0008

Beam details



Beam angles

Beam angle 50%	Field angle 10%	Cutoff angle 2,5%
12.3°	25.6°	37.5°

Beam intensities

Peak intensity	Int. ratio in 120° cone	Int. ratio in 90° cone
10627 cd	99.8%	99.3%

Beam intensities from 1-20m

1m	2m	3m	4m	5m	6m	7m	8m	9m	10m	11m	12m	13m	14m	15m	16m	17m	18m	19m	20m
3.3ft	6.6ft	9.8ft	13.1ft	16.4ft	19.7ft	23ft	26.2ft	29.5ft	32.8ft	36.1ft	39.4ft	42.7ft	45.9ft	49.2ft	52.5ft	55.8ft	59.1ft	62.3ft	65.6ft
10605lx	2651lx	1178lx	663lx	424lx	295lx	216lx	166lx	131lx	106lx	88lx	74lx	63lx	54lx	47lx	41lx	37lx	33lx	29lx	27lx
985.2fcd	246.3fcd	109.5fcd	61.6fcd	39.4fcd	27.4fcd	20.1fcd	15.4fcd	12.2fcd	9.9fcd	8.1fcd	6.8fcd	5.8fcd	5fcd	4.4fcd	3.8fcd	3.4fcd	3fcd	2.7fcd	2.5fcd

The above information is for 3000K colour temperature, for specific module information please see LED spec located on our website

For information regarding other colour temperatures please use the following factors for lumen output and candelas:

2700K = 1
4000K = 1.084

Light efficiency:

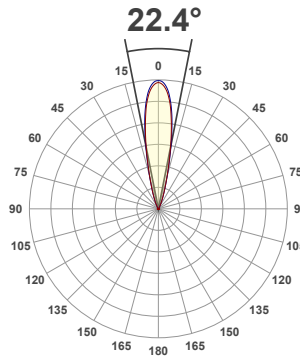
61 Lumen/Watt

Light quality:

CRI: 92.0

Color temperature:

3000 K



Product name:

Pinhole4.25 Fixed/Accent - LED51/2-30-24-350mA

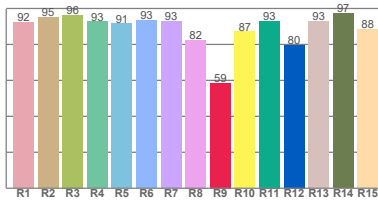
Item number:

A30413-F/A - LED51/2-30-24-350mA

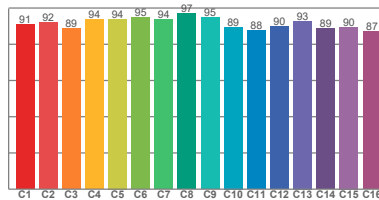
Delivered information for above fixture and LED combination.

Output: 829 Lumen Peak intensity: 4573 cd Power consumption: 13.6

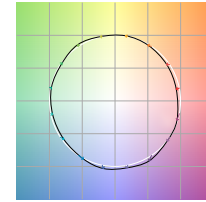
CRI R values



TM30 C Values

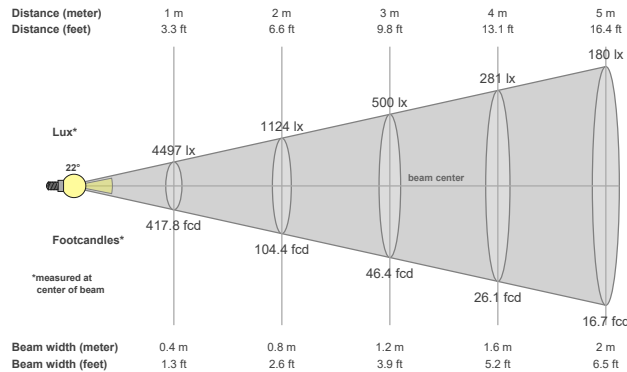


Color vector graphics



Color temperature	Color rendering index	Red component	Color fidelity	Color gamut	Color quality scale	Color coordinate cie 1931	Color coordinate cie 1931	Color coordinate	Color coordinate	Color deviation from black body
CCT	CRI	CRI R9	TM30 Rf	TM30 Rg	CQS	x	y	u	v	Δuv
3000 K	92.0	58.6	91.6	99.8	90.4	0.437	0.404	0.249	0.347	0.0002

Beam details



Beam angles

Beam angle 50%	Field angle 10%	Cutoff angle 2,5%
22.4°	41.4°	56.9°

Beam intensities

Peak intensity	Int. ratio in 120° cone	Int. ratio in 90° cone
4573 cd	99.6%	99.1%

Beam intensities from 1-20m

1m	2m	3m	4m	5m	6m	7m	8m	9m	10m	11m	12m	13m	14m	15m	16m	17m	18m	19m	20m
3.3ft	6.6ft	9.8ft	13.1ft	16.4ft	19.7ft	23ft	26.2ft	29.5ft	32.8ft	36.1ft	39.4ft	42.7ft	45.9ft	49.2ft	52.5ft	55.8ft	59.1ft	62.3ft	65.6ft
4497lx	1124lx	500lx	281lx	180lx	125lx	92lx	70lx	56lx	45lx	37lx	31lx	27lx	23lx	20lx	18lx	16lx	14lx	12lx	11lx
417.8fcd	104.4fcd	46.4fcd	26.1fcd	16.7fcd	11.6fcd	8.5fcd	6.5fcd	5.2fcd	4.2fcd	3.5fcd	2.9fcd	2.5fcd	2.1fcd	1.9fcd	1.6fcd	1.4fcd	1.3fcd	1.2fcd	1fcd

The above information is for 3000K colour temperature, for specific module information please see LED spec located on our website

For information regarding other colour temperatures please use the following factors for lumen output and candelas:

2700K = 1

4000K = 1.084

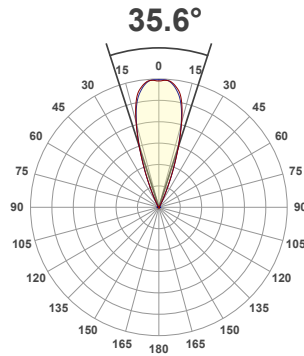
Light efficiency:



Light quality:



Color temperature:



Product name:

Pinhole4.25 Fixed/Accent - LED51/2-30-38-350mA

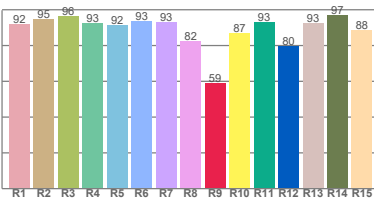
Item number:

A30413-F/A - LED51/2-30-38-350mA

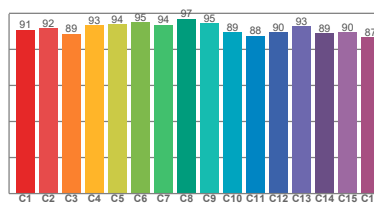
Delivered information for above fixture and LED combination.

Output: 918 Lumen Peak intensity: 2660 cd Power consumption: 13.6

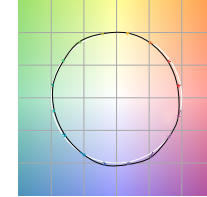
CRI R values



TM30 C Values

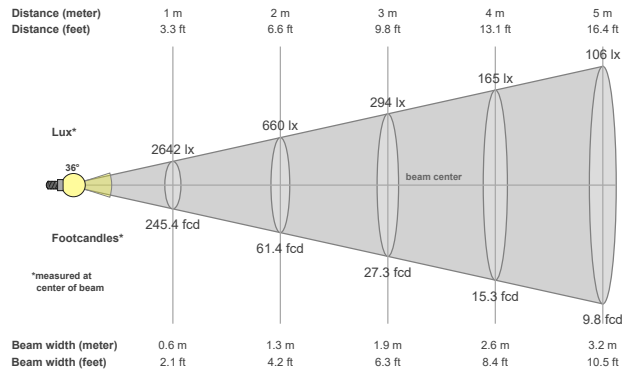


Color vector graphics



Color temperature	Color rendering index	Red component	Color fidelity	Color gamut	Color quality scale	Color coordinate cie 1931	Color coordinate cie 1931	Color coordinate	Color coordinate	Color deviation from black body
CCT	CRI	CRI R9	TM30 Rf	TM30 Rg	CQS	x	y	u	v	Δuv
3000 K	92.0	58.8	91.5	99.8	90.3	0.437	0.404	0.249	0.347	0.0002

Beam details



Beam angles

Beam angle 50%	Field angle 10%	Cutoff angle 2,5%
35.6°	51.2°	62.7°

Beam intensities

Peak intensity	Int. ratio in 120° cone	Int. ratio in 90° cone
2660 cd	99.9%	99.5%

Beam intensities from 1-20m

1m	2m	3m	4m	5m	6m	7m	8m	9m	10m	11m	12m	13m	14m	15m	16m	17m	18m	19m	20m
3.3ft	6.6ft	9.8ft	13.1ft	16.4ft	19.7ft	23ft	26.2ft	29.5ft	32.8ft	36.1ft	39.4ft	42.7ft	45.9ft	49.2ft	52.5ft	55.8ft	59.1ft	62.3ft	65.6ft
2642lx	660lx	294lx	165lx	106lx	73lx	54lx	41lx	33lx	26lx	22lx	18lx	16lx	13lx	12lx	10lx	9lx	8lx	7lx	7lx
245.4fcd	61.4fcd	27.3fcd	15.3fcd	9.8fcd	6.8fcd	5fcd	3.8fcd	3fcd	2.5fcd	2fcd	1.7fcd	1.5fcd	1.3fcd	1.1fcd	1fcd	0.8fcd	0.8fcd	0.7fcd	0.6fcd

The above information is for 3000K colour temperature, for specific module information please see LED spec located on our website

For information regarding other colour temperatures please use the following factors for lumen output and candelas:

2700K = 1
4000K = 1.084

Light efficiency:

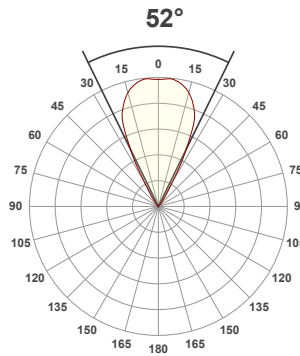
70 Lumen/Watt

Light quality:

CRI: 92.1

Color temperature:

3000 K



Product name:

Pinhole4.25 Fixed_Accent - LED51_2-30-55-350mA

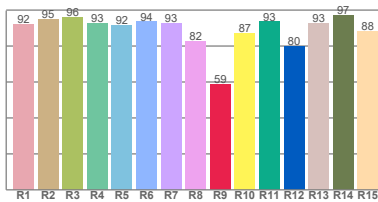
Item number:

A30413-F_A - LED51_2-30-55-350mA

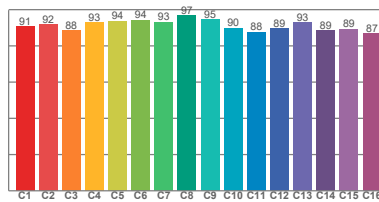
Delivered information for above fixture and LED combination.

Output: 956 Lumen Peak intensity: 1419 cd Power consumption: 13.6

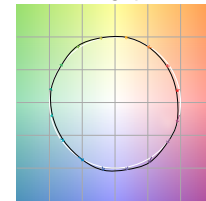
CRI R values



TM30 C Values

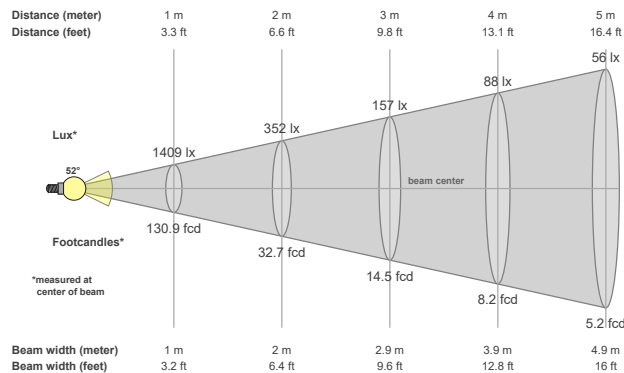


Color vector graphics



Color temperature	Color rendering index	Red component	Color fidelity	Color gamut	Color quality scale	Color coordinate cie 1931	Color coordinate cie 1931	Color coordinate	Color coordinate	Color deviation from black body
CCT	CRI	CRI R9	TM30 Rf	TM30 Rg	CQS	x	y	u	v	Δuv
3000 K	92.1	58.8	91.5	100.2	90.3	0.437	0.404	0.251	0.348	-0.0001

Beam details



Beam angles

Beam angle 50%	Field angle 10%	Cutoff angle 2,5%
52°	68.2°	84.4°

Beam intensities

Peak intensity	Int. ratio in 120° cone	Int. ratio in 90° cone
1419 cd	99.7%	98.7%

Beam intensities from 1-20m

1m	2m	3m	4m	5m	6m	7m	8m	9m	10m	11m	12m	13m	14m	15m	16m	17m	18m	19m	20m
3.3ft	6.6ft	9.8ft	13.1ft	16.4ft	19.7ft	23ft	26.2ft	29.5ft	32.8ft	36.1ft	39.4ft	42.7ft	45.9ft	49.2ft	52.5ft	55.8ft	59.1ft	62.3ft	65.6ft
1409lx	352lx	157lx	88lx	56lx	39lx	29lx	22lx	17lx	14lx	12lx	10lx	8lx	7lx	6lx	6lx	5lx	4lx	4lx	4lx
130.9fcd	32.7fcd	14.5fcd	8.2fcd	5.2fcd	3.6fcd	2.7fcd	2fcd	1.6fcd	1.3fcd	1.1fcd	0.9fcd	0.8fcd	0.7fcd	0.6fcd	0.5fcd	0.5fcd	0.4fcd	0.4fcd	0.3fcd

The above information is for 3000K colour temperature, for specific module information please see LED spec located on our website

For information regarding other colour temperatures please use the following factors for lumen output and candelas:

2700K = 1

4000K = 1.084

Light efficiency:

51 Lumen/Watt

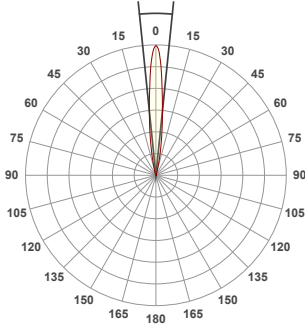
Light quality:

CRI: 97.9

Color temperature:

3000 K

11.6°



Product name:

Pinhole4.25 Fixed/Accent - LED51/U-30-12-350mA

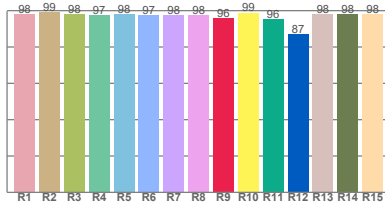
Item number:

A30413-F/A - LED51/U-30-12-350mA

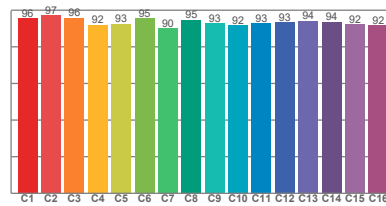
Delivered information for above fixture and LED combination.

Output: 698 Lumen Peak intensity: 10293 cd Power consumption: 13.6

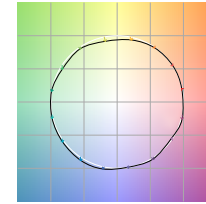
CRI R values



TM30 C Values

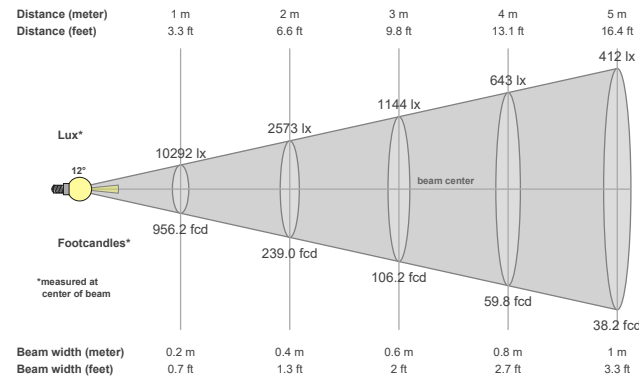


Color vector graphics



Color temperature	Color rendering index	Red component	Color fidelity	Color gamut	Color quality scale	Color coordinate cie 1931	Color coordinate cie 1931	Color coordinate	Color coordinate	Color deviation from black body
CCT	CRI	CRI R9	TM30 Rf	TM30 Rg	CQS	x	y	u	v	Δuv
3000 K	97.9	96.0	93.7	98.8	94.8	0.437	0.404	0.249	0.349	0.0016

Beam details



Beam angels

Beam angle 50%	Field angle 10%	Cutoff angle 2,5%
11.6°	25.4°	34.8°

Beam intensities

Peak intensity	Int. ratio in 120° cone	Int. ratio in 90° cone
10293 cd	99.6%	99.1%

Beam intensities from 1-20m

1m	2m	3m	4m	5m	6m	7m	8m	9m	10m	11m	12m	13m	14m	15m	16m	17m	18m	19m	20m
3.3ft	6.6ft	9.8ft	13.1ft	16.4ft	19.7ft	23ft	26.2ft	29.5ft	32.8ft	36.1ft	39.4ft	42.7ft	45.9ft	49.2ft	52.5ft	55.8ft	59.1ft	62.3ft	65.6ft
10292lx	2573lx	1144lx	643lx	412lx	286lx	210lx	161lx	127lx	103lx	85lx	71lx	61lx	53lx	46lx	40lx	36lx	32lx	29lx	26lx
956.2fcd	239fcd	106.2fcd	59.8fcd	38.2fcd	26.6fcd	19.5fcd	14.9fcd	11.8fcd	9.6fcd	7.9fcd	6.6fcd	5.7fcd	4.9fcd	4.2fcd	3.7fcd	3.3fcd	3fcd	2.6fcd	2.4fcd

The above information is for 3000K colour temperature, for specific module information please see LED spec located on our website

For information regarding other colour temperatures please use the following factors for lumen output and candelas:

2700K = 1

Light efficiency:

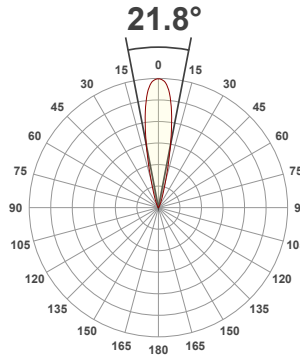
51 Lumen/Watt

Light quality:

CRI: 97.8

Color temperature:

3000 K



Product name:

Pinhole4.25 Fixed/Accent - LED51/U-30-24-350mA

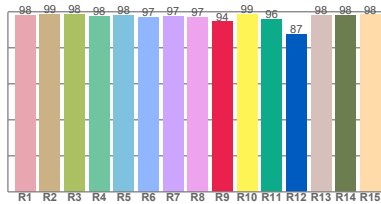
Item number:

A30413-F/A - LED51/U-30-24-350mA

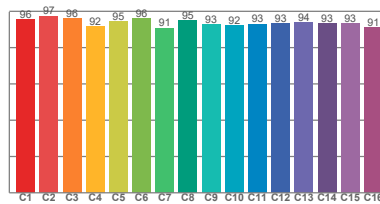
Delivered information for above fixture and LED combination.

Output: 699 Lumen Peak intensity: 4094 cd Power consumption: 13.6

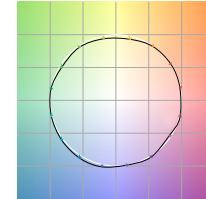
CRI R values



TM30 C Values

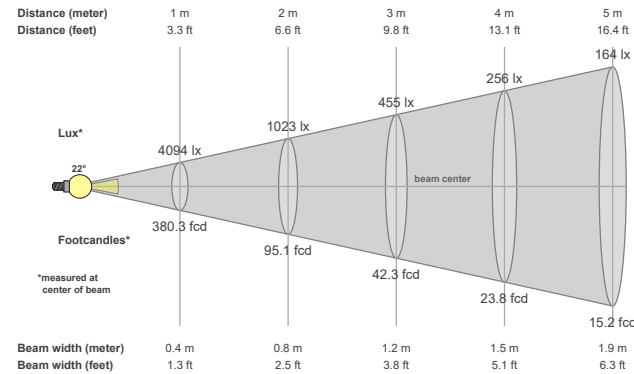


Color vector graphics



Color temperature	Color rendering index	Red component	Color fidelity	Color gamut	Color quality scale	Color coordinate cie 1931	Color coordinate cie 1931	Color coordinate	Color coordinate	Color deviation from black body
CCT	CRI	CRI R9	TM30 Rf	TM30 Rg	CQS	x	y	u	v	Δuv
3000 K	97.8	94.4	93.9	98.9	95.3	0.437	0.404	0.251	0.349	0.0008

Beam details



Beam angles

Beam angle 50%	Field angle 10%	Cutoff angle 2,5%
21.8°	38.1°	55.4°

Beam intensities

Peak intensity	Int. ratio in 120° cone	Int. ratio in 90° cone
4094 cd	99.3%	98.6%

Beam intensities from 1-20m

1m	2m	3m	4m	5m	6m	7m	8m	9m	10m	11m	12m	13m	14m	15m	16m	17m	18m	19m	20m
3.3ft	6.6ft	9.8ft	13.1ft	16.4ft	19.7ft	23ft	26.2ft	29.5ft	32.8ft	36.1ft	39.4ft	42.7ft	45.9ft	49.2ft	52.5ft	55.8ft	59.1ft	62.3ft	65.6ft
4094lx	1023lx	455lx	256lx	164lx	114lx	84lx	64lx	51lx	41lx	34lx	28lx	24lx	21lx	18lx	16lx	14lx	13lx	11lx	10lx
380.3fcd	95.1fcd	42.3fcd	23.8fcd	15.2fcd	10.6fcd	7.8fcd	5.9fcd	4.7fcd	3.8fcd	3.1fcd	2.6fcd	2.3fcd	1.9fcd	1.7fcd	1.5fcd	1.3fcd	1.2fcd	1.1fcd	1fcd

The above information is for 3000K colour temperature, for specific module information please see LED spec located on our website

For information regarding other colour temperatures please use the following factors for lumen output and candelas:

2700K = 1

Light efficiency:

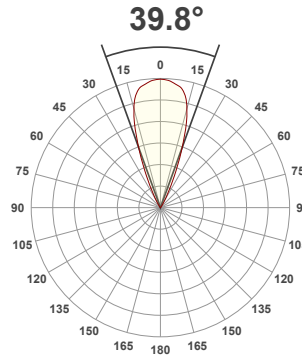
62 Lumen/Watt

Light quality:

CRI: 97.9

Color temperature:

3000 K



Product name:

Pinhole4.25 Fixed/Accent - LED51/U-30-38-350mA

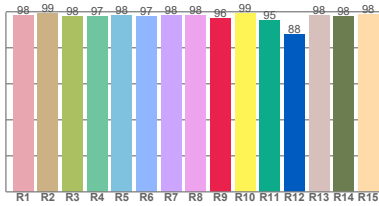
Item number:

A30413-F/A - LED51/U-30-38-350mA

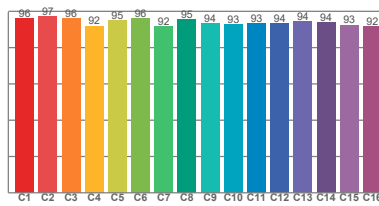
Delivered information for above fixture and LED combination.

Output: 844 Lumen Peak intensity: 1966 cd Power consumption: 13.6

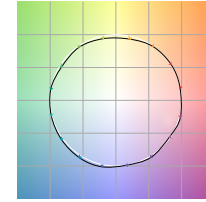
CRI R values



TM30 C Values

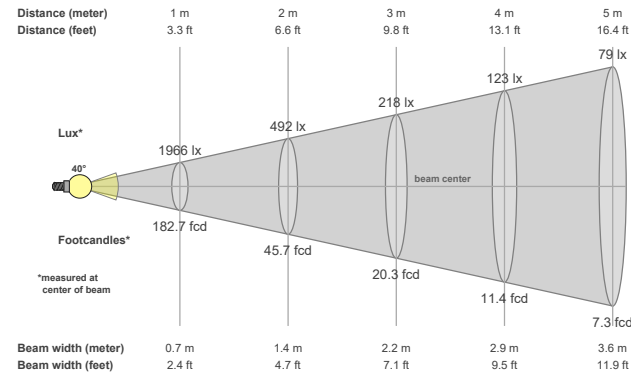


Color vector graphics



Color temperature	Color rendering index	Red component	Color fidelity	Color gamut	Color quality scale	Color coordinate cie 1931	Color coordinate cie 1931	Color coordinate	Color coordinate	Color deviation from black body
CCT	CRI	CRI R9	TM30 Rf	TM30 Rg	CQS	x	y	u	v	Δuv
3000 K	97.9	96.2	94.2	99.4	95.3	0.437	0.404	0.250	0.349	0.0012

Beam details



Beam angles

Beam angle 50%	Field angle 10%	Cutoff angle 2,5%
39.8°	57.3°	69.7°

Beam intensities

Peak intensity	Int. ratio in 120° cone	Int. ratio in 90° cone
1966 cd	99.7%	99.2%

Beam intensities from 1-20m

1m	2m	3m	4m	5m	6m	7m	8m	9m	10m	11m	12m	13m	14m	15m	16m	17m	18m	19m	20m
3.3ft	6.6ft	9.8ft	13.1ft	16.4ft	19.7ft	23ft	26.2ft	29.5ft	32.8ft	36.1ft	39.4ft	42.7ft	45.9ft	49.2ft	52.5ft	55.8ft	59.1ft	62.3ft	65.6ft
1966lx	492lx	218lx	123lx	79lx	55lx	40lx	31lx	24lx	20lx	16lx	14lx	12lx	10lx	9lx	8lx	7lx	6lx	5lx	5lx
182.7fcd	45.7fcd	20.3fcd	11.4fcd	7.3fcd	5.1fcd	3.7fcd	2.9fcd	2.3fcd	1.8fcd	1.5fcd	1.3fcd	1.1fcd	0.9fcd	0.8fcd	0.7fcd	0.6fcd	0.6fcd	0.5fcd	0.5fcd

The above information is for 3000K colour temperature, for specific module information please see LED spec located on our website

For information regarding other colour temperatures please use the following factors for lumen output and candelas:

$$2700K = 1$$

Light efficiency:

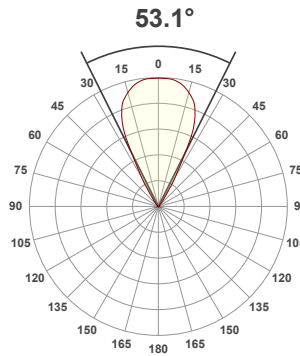
53 Lumen/Watt

Light quality:

CRI: 98.2

Color temperature:

3000 K



Product name:

Pinhole4.25 Fixed/Accent - LED51/U-30-55-350mA

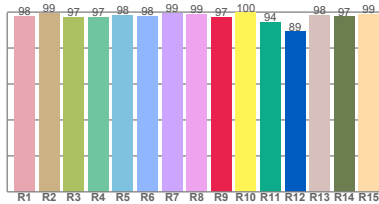
Item number:

A30413-F/A - LED51/U-30-55-350mA

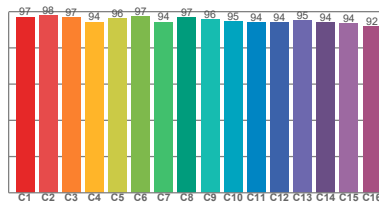
Delivered information for above fixture and LED combination.

Output: 723 Lumen Peak intensity: 1038 cd Power consumption: 13.6

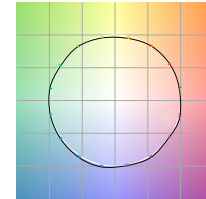
CRI R values



TM30 C Values

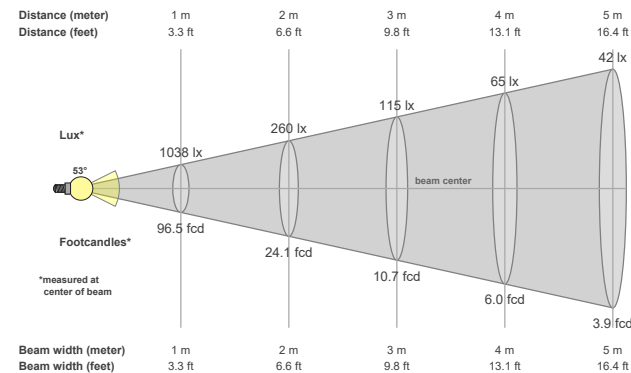


Color vector graphics



Color temperature	Color rendering index	Red component	Color fidelity	Color gamut	Color quality scale	Color coordinate cie 1931	Color coordinate cie 1931	Color coordinate	Color coordinate	Color deviation from black body
CCT	CRI	CRI R9	TM30 Rf	TM30 Rg	CQS	x	y	u	v	Δuv
3000 K	98.2	97.2	95.4	100.5	96.3	0.437	0.404	0.251	0.348	0.0007

Beam details



Beam angles

Beam angle 50%	Field angle 10%	Cutoff angle 2,5%
53.1°	68.4°	85.2°

Beam intensities

Peak intensity	Int. ratio in 120° cone	Int. ratio in 90° cone
1038 cd	99.5%	98.5%

Beam intensities from 1-20m

1m	2m	3m	4m	5m	6m	7m	8m	9m	10m	11m	12m	13m	14m	15m	16m	17m	18m	19m	20m
3.3ft	6.6ft	9.8ft	13.1ft	16.4ft	19.7ft	23ft	26.2ft	29.5ft	32.8ft	36.1ft	39.4ft	42.7ft	45.9ft	49.2ft	52.5ft	55.8ft	59.1ft	62.3ft	65.6ft
1038lx	260lx	115lx	65lx	42lx	29lx	21lx	16lx	13lx	10lx	9lx	7lx	6lx	5lx	5lx	4lx	4lx	3lx	3lx	3lx
96.5fcd	24.1fcd	10.7fcd	6fcd	3.9fcd	2.7fcd	2fcd	1.5fcd	1.2fcd	1fcd	0.8fcd	0.7fcd	0.6fcd	0.5fcd	0.4fcd	0.4fcd	0.3fcd	0.3fcd	0.3fcd	0.2fcd

The above information is for 3000K colour temperature, for specific module information please see LED spec located on our website

For information regarding other colour temperatures please use the following factors for lumen output and candelas:

2700K = 1