

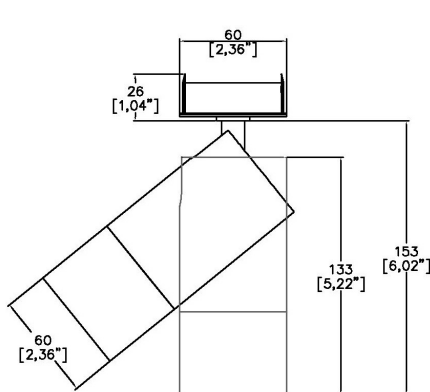
ProSpex TubeLED Mini



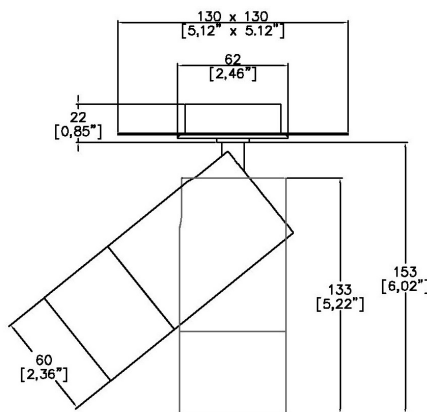
TM65.2 13kgCO2e

TM66 2.2 CEAM

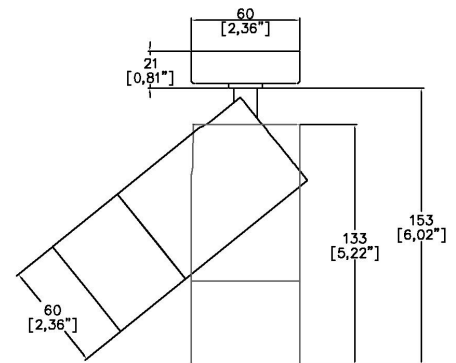
60mm (2.36") overall diameter. LED spotlight with remote driver. Available with monopoint mounting, magnetic track adaptor and 3 circuit track adaptor. Family of matching products also available.



7100/2-LED-RMP
Cut out Ø57mm



7100/2-LED-TMP
Cut out Ø57mm



7100/2-LED-SMP
Cut out Ø15mm

LED Source	LED	LED	LED	LED
CCT	3000K	3000K	3000K	3000K
Drive Current	350mA	350mA	350mA	350mA
Power inc Driver	13.6W	13.6W	13.6W	13.6W
Beam Angle	12°	24°	38°	55°
Delivered Lumens	866	852	963	997
Delivered Intensisty cd	12230	5551	3402	1324
Efficacy lm/w	64	63	71	73
Forward Volt	33V	33V	33V	33V
CRI	≥90 CRI	≥90 CRI	≥90 CRI	≥90 CRI

Apply these factors to 3000K for lumen output of other CCTs: 2200K x 0.65 / 2400K x 0.69 / 2700K x 0.98 / 4000K x 1.02.

Project Ref: _____

Location Ref: _____

Fixture Order Code: **7100/2-LED** - - - - - -

Fixture
7100/2-LED

TubeLED Mini GEN2

CCT

- 22*** 90 CRI 2200K***
- 24*** 90 CRI 2400K***
- 27 90 CRI 2700K
- 30 90 CRI 3000K
- 40*** 90 CRI 4000K***

Beam

- 12 12°
- 24 24°
- 38 38°
- 55 55°

Protocol

- S Non-Dim
- A Analogue (0-10V)
- P Phase
- D DALI 2
- B Bluetooth**

Colour Insert

- SN Satin Nickel
- SG Satin Gold
- CP Copper
- BZ Bronze
- (Blank) Not required standard black to be supplied

Finish

- WH White
- BK Black
- RAL Custom RAL Finish
- ABR1 Antique Brass
- ABZ1 Antique Bronze

Fixing

- RMP Recessed Monopoint
- TMP Trimless Monopoint
- SMP Surface Monopoint

Please refer to installation instruction for wiring diagram

***contact Lucent for availability

Finish selection

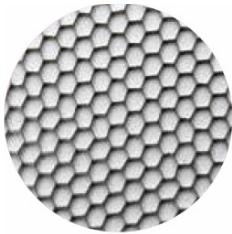


Antique Brass

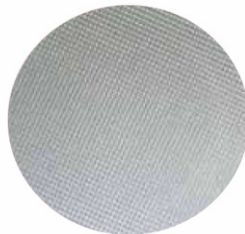


Antique Bronze

Accessories



Honeycomb Louvre



Diffusing Lens



Frosted Lens



Heavy Spread Lens



Linear Spread Lens

Accessories Order Code:

Louvre/Lens

- LL45 Honeycomb Louvre
- LLCC Warm Tone Lens
- LLUV UV Lens
- LLDF Diffusing Lens
- LLFR Frosted Lens
- LLLS Linear Spread Lens
- LLHS Heavy Spread Lens

Technical Details

*Custom RAL code must be specified. Custom RAL colours can increase prices and lead times

Dimming. Whilst Lucent can offer the majority of its luminaires with various dimming options, it remains the responsibility of the specifier/installer to check and ensure compatibility of any control equipment used. Additional cabling may be required depending on the dimming protocol specified.

**Bluetooth (wireless) is the communication method. The exact dimming protocol must be confirmed to allow the selection of suitable drivers or bluetooth devices.

^ Depth indicated is the minimum recess depth for the luminaire with a remote mounted LED driver. Installing a driver through either the luminaire cut-out or installation kit may require additional recess depth, please refer to the relevant luminaire installation instructions for further details. Data correct at time of publishing

First Fix Requirement. Luminaire comprised of fixture body with ceiling trim and installation kit, which is to be fitted into the ceiling once finished. Ensure correct alignment of the installation kit before final assembly (see luminaire installation instructions for details)

IP Rating. Tested from underside of the ceiling

Note that the picture of the finishes provided is for illustrative purposes only. The finishes may vary in colour, texture and appearance. Contact Lucent lighting Ltd for more information.

It is the policy of Lucent Lighting to continually review and improve its products and therefore reserve the right to change any details of product or withdraw specifications without prior notice.

Luminaires designed to comply with EN60598 and all other standards.

This specification sheet supersedes all previous versions.

All intellectual property rights pertaining to the product described above and to this document are owned by or licensed to Lucent Lighting Ltd.

We reserve the right to take whatever action is necessary to protect those intellectual property rights.

Please notify Lucent Lighting Ltd of any inaccuracies immediately. E&OE