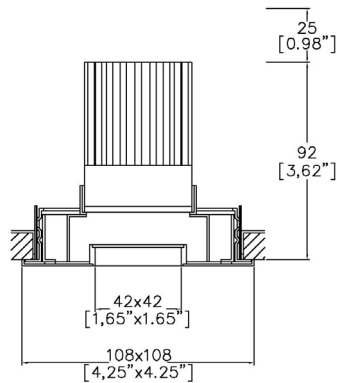


# Square Edge4.25 Fixed



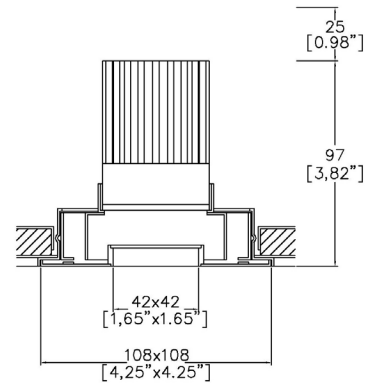
Square Edge4.25 provides high performance electronics and architectural aesthetics in 4.25” square trim with a 1.57” square aperture. Square Edge products include adjustable, fixed and washlight in a flanged or trimless installation kit. Tray, retrofit and housing installation methods (NIC, IC, AT, T24 and CCEA) Multiple configurations for equal spacing also available. Lucent modules available in a wide range of color temperatures, beam angles, intensities, and effects (Ambiance WarmDim and Dynamic Tuneable White). MR16 and GU10 LED lamp options available. TRIAC/Phase, 0-10v/1-10v, DMX and DALI/Digital dimming.



A31433-F-LED + 3000-PBZ  
Cut-out 103mm (4.00”) Ø



**Installation kit for overlap flange  
8000-PBZ-SQ**



A31433-F-LED + 3000-PCZ  
Cut-out 98mm (3.85”) Ø



**Mud-in kit for seamless/trimless  
8000-PCZ-SQ**

LED Source	LED51SS
CCT	3000K
Drive Current	500mA
Power inc Driver	6.75W
Beam Angle	7°
Delivered Lumens	395
Delivered Intensity cd	17366
Efficacy lm/w	59
Forward Volt	11.5V
CRI	≥90 CRI

Project Ref: \_\_\_\_\_

Location Ref: \_\_\_\_\_

Specify fixture part number (All boxes must be filled in to correctly order)

A31433-F-LED					LED5ISS		7						
--------------	--	--	--	--	---------	--	---	--	--	--	--	--	--

Finish  
**WH** White  
**BK** Black

Location  
**XX** Dry  
**DP** Damp  
**WT** Wet

Installation  
**PB** 8000-PBZ-SQ Flange kit  
**PC** 8000-PCZ-SQ Mud-in kit

Ceiling Thickness  
**SC** Standard Ceiling (1/2"-5/8"-3/4")  
**C** Custom

LED Type  
**LED5ISS** LED5ISS (90CRI)

CCT  
**27** 2700K  
**30** 3000K  
**35** 3500K  
**40** 4000K

Beam Angles  
**7** 7

Housing/Tray  
**LMT-13-NIC** Mounting Tray Non-Insulated ceilings  
**LH-6.75-NIC** Housing 6.75" Non-Insulated ceilings  
**LH-8.50-AT/IC** Housing 8.50" Insulated/Air-tight ceilings and Chicago Plenum

Mounting Hardware  
**09** 9" to 15.25" - Adjustable Bar Hanger Lengths  
**14** 14" to 24" - Adjustable Bar Hanger Lengths  
**36** 28" to 36" - Adjustable Bar Hanger Lengths  
**BB** Butterfly Bracket  
**CB** Caterpillar Bracket

Supply Voltage  
**120** 120V  
**277** 277V

Dimming Protocol  
**S** Non-Dimmable  
**P** TRIAC/Phase (120V ONLY) (25-10% Minimum Dimming)\*\*\*  
**LP** Lutron Forward Phase 2-Wire (1% Dimming) (120V ONLY)  
**ESS** EcoSystem 5-Series (5% Dimming)  
**LHE** EcoSystem Hi-Lume Fade to Black (1% Dimming)  
**LAE** Lutron 3-Wire Hi-Lume (1% Dimming)  
**LHP** Lutron Hi-Lume Premier EcoSystem (0.1% Dimming)  
**A** 0-10V (15-5% Minimum Dimming)\*\*\*  
**ESD** EldoLED Solo DALI2 (0.1% Dimming)  
**EED** EldoLED Eco DALI2 (1% Dimming)  
**ESA** EldoLED Solo 0-10V/1-10V (0.1% Dimming)  
**EEA** EldoLED Eco 0-10V/1-10V (1% Dimming)  
**B** Bluetooth\*\*

Emergency  
**E** 3hr Emergency  
**ES** 3hr Self Test

Louvre/Lens  
**XX** Not required  
**LL45** Honeycomb  
**LLCC** Warm Tone  
**LLUV** UV  
**LLDF** Solite/Diffusing  
**LLFR** Frosted Lens  
**LLLS** Linear Spread  
**LLHS** Heavy Spread

\*Refer to Technical Details for more information

## Housing dimensions

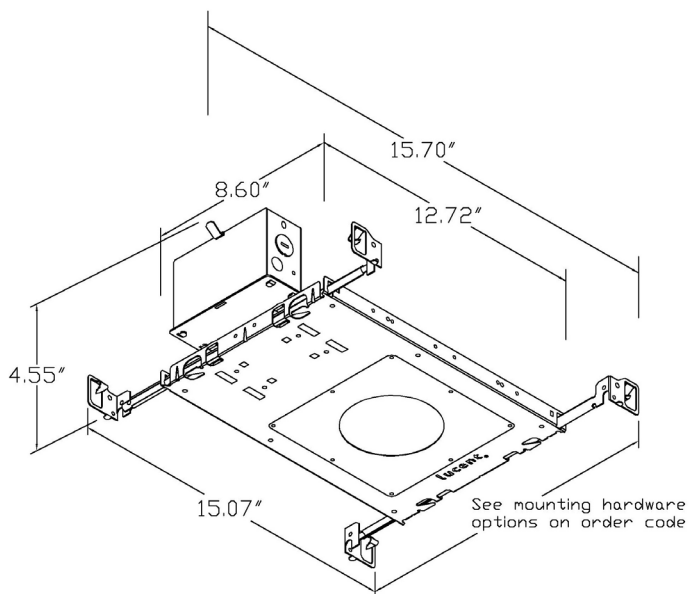


LH-6.75  
Non-insulated ceilings



LH-8.50  
Insulated/air-tight ceilings and  
Chicago Plenum

## Tray dimensions



LMT-13  
Non-insulated ceilings



**Honeycomb Louvre (LL45)**



**Solite/Diffusing Lens (LLDF)**



**Frosted Lens (LLFR)**



**Heavy Spread Lens (LLHS)**



**Linear Spread Lens (LLLS)**



**Warm Tone (LLCC)**

.....

## Technical Details

\*Custom color requires a paint chip or RAL code and may increase price and lead-time

It is the responsibility of the specifier/integrator/installer to check and ensure compatibility of any control equipment used. Additional cabling may be required depending on the dimming protocol specified.

\*\*Bluetooth (wireless) is a communication protocol. The exact dimming protocol must be confirmed to allow the selection of suitable drivers or Bluetooth devices.

\*\*\*Non specific driver type, dimming performance depending on exact driver used. Contact Lucent Lighting for more information.

^ Depth indicated is the minimum recess depth for the luminaire with a remote mounted LED driver. Installing a driver through either the luminaire cut-out or installation kit may require additional recess depth, please refer to the relevant installation instructions prior to purchase.

First Fix Requirement. Luminaire comprised of fixture body with ceiling trim and installation kit, which is to be fitted into the ceiling once finished. Ensure correct alignment of the installation kit before final assembly (see luminaire installation instructions for details)

Location. Tested from underside of the ceiling.

Data correct at time of publishing. It is the policy of Lucent Lighting to continually review and improve its products and therefore reserve the right to change any details of product or withdraw specifications without prior notice.

This specification sheet supersedes all previous versions.

All intellectual property rights pertaining to the product described above and to this document are owned by or licensed to Lucent Lighting, Incorporated. Lucent Lighting reserves the right to take whatever action is necessary to protect its intellectual property, patents and trademarks

Please notify Lucent Lighting Inc. inaccuracies. E&OE

.....



## Light efficiency:

**59 Lumen/Watt**

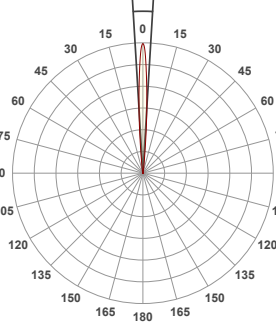
## Light quality:

**CRI: 91.3**

## Color temperature:

**3000 K**

**6.9°**



Product name:

**Square Edge4.25 Fixed\_Accent - LED51 SuperSpot, 3000K, 7°, 500mA**

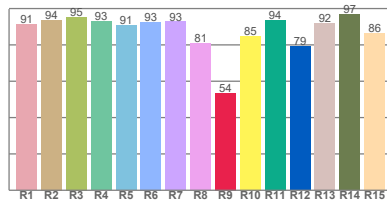
Item number:

**A31433-F/A - LED51SS-30-7-500mA**

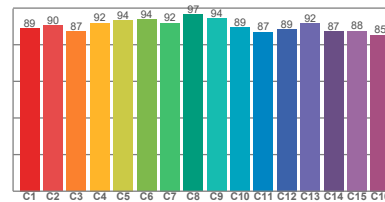
**Delivered information for above fixture and LED combination.**

**Output: 395 Lumen Peak intensity: 17366 cd Power consumption: 6.7**

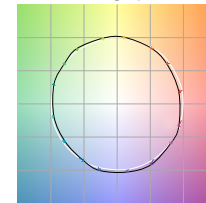
### CRI R values



### TM30 C Values

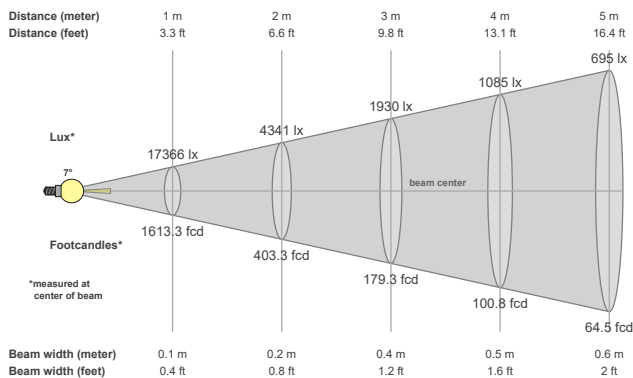


### Color vector graphics



Color temperature	Color rendering index	Red component	Color fidelity	Color gamut	Color quality scale	Color coordinate cie 1931	Color coordinate cie 1931	Color coordinate	Color coordinate	Color deviation from black body
CCT	CRI	CRI R9	TM30 Rf	TM30 Rg	CQS	x	y	u	v	Δuv
3000 K	91.3	53.6	90.4	99.7	90.2	0.437	0.404	0.249	0.349	0.0017

### Beam details



### Beam angles

Beam angle 50%	Field angle 10%	Cutoff angle 2,5%
6.9°	12.8°	20.3°

### Beam intensities

Peak intensity	Int. ratio in 120° cone	Int. ratio in 90° cone
17366 cd	98.8%	98.4%

### Beam intensities from 1-20m

1m	2m	3m	4m	5m	6m	7m	8m	9m	10m	11m	12m	13m	14m	15m	16m	17m	18m	19m	20m
3.3ft	6.6ft	9.8ft	13.1ft	16.4ft	19.7ft	23ft	26.2ft	29.5ft	32.8ft	36.1ft	39.4ft	42.7ft	45.9ft	49.2ft	52.5ft	55.8ft	59.1ft	62.3ft	65.6ft
17366lx	4341lx	1930lx	1085lx	695lx	482lx	354lx	271lx	214lx	174lx	144lx	121lx	103lx	89lx	77lx	68lx	60lx	54lx	48lx	43lx
1613.3fcd	403.3fcd	179.3fcd	100.8fcd	64.5fcd	44.8fcd	32.9fcd	25.2fcd	19.9fcd	16.1fcd	13.3fcd	11.2fcd	9.5fcd	8.2fcd	7.2fcd	6.3fcd	5.6fcd	5fcd	4.5fcd	4fcd

The above information is for 3000K colour temperature, for specific module information please see LED spec located on our website

For information regarding other colour temperatures please use the following factors for lumen output and candelas:

2700K = 0.9  
4000K = 1.08