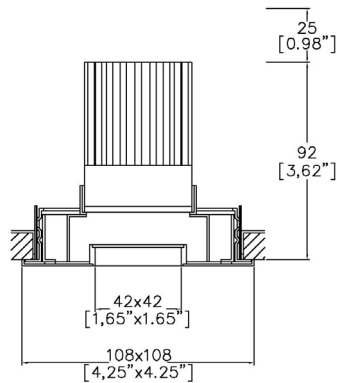


Square Edge4.25 Fixed



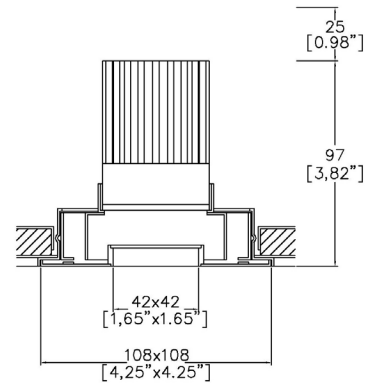
Square Edge4.25 provides high performance electronics and architectural aesthetics in 4.25” square trim with a 1.57” square aperture. Square Edge products include adjustable, fixed and washlight in a flanged or trimless installation kit. Tray, retrofit and housing installation methods (NIC, IC, AT, T24 and CCEA) Multiple configurations for equal spacing also available. Lucent modules available in a wide range of color temperatures, beam angles, intensities, and effects (Ambiance WarmDim and Dynamic Tuneable White). MR16 and GU10 LED lamp options available. TRIAC/Phase, 0-10v/1-10v, DMX and DALI/Digital dimming.



A31433-F-LED + 3000-PBZ
Cut-out 103mm (4.00”) Ø



**Installation kit for overlap flange
8000-PBZ-SQ**



A31433-F-LED + 3000-PCZ
Cut-out 98mm (3.85”) Ø



**Mud-in kit for seamless/trimless
8000-PCZ-SQ**

| LED Source | LED51/2 | LED51/2 | LED51/2 | LED51/2 | LED51/U | LED51/U | LED51/U | LED51/U |
|-------------------------|---------|---------|---------|---------|---------|---------|---------|---------|
| CCT | 3000K | 3000K | 3000K | 3000K | 3000K | 3000K | 3000K | 3000K |
| Drive Current | 350mA | 350mA | 350mA | 350mA | 350mA | 350mA | 350mA | 350mA |
| Power inc Driver | 13.6W | 13.6W | 13.6W | 13.6W | 13.6W | 13.6W | 13.6W | 13.6W |
| Beam Angle | 12° | 24° | 38° | 55° | 12° | 24° | 38° | 55° |
| Delivered Lumens | 659 | 761 | 853 | 757 | 670 | 697 | 820 | 632 |
| Delivered Intensisty cd | 8244 | 4091 | 2397 | 1161 | 9808 | 3983 | 1950 | 997 |
| Efficacy lm/w | 48 | 56 | 63 | 56 | 49 | 51 | 60 | 47 |
| Forward Volt | 33V | 33V | 33V | 33V | 33V | 33V | 33V | 33V |
| CRI | ≥90 CRI | ≥90 CRI | ≥90 CRI | ≥90 CRI | ≥98 CRI | ≥98 CRI | ≥98 CRI | ≥98 CRI |

Project Ref: _____

Location Ref: _____

Specify fixture part number (All boxes must be filled in to correctly order)

| | | | | | | | | | | | | | | |
|--------------|--|--|--|--|--|--|--|--|--|--|--|--|--|--|
| A31433-F-LED | | | | | | | | | | | | | | |
|--------------|--|--|--|--|--|--|--|--|--|--|--|--|--|--|

Finish
WH White
BK Black

Location
XX Dry
DP Damp
WT Wet

Installation
PB 8000-PBZ-SQ Flange kit
PC 8000-PCZ-SQ Mud-in kit

Ceiling Thickness
SC Standard Ceiling (1/2"-5/8"-3/4")
C Custom

LED Type
LED51/2 LED51/2 (90CRI)
LED51/U LED51/U (98CRI)

CCT
27 2700K
30 3000K
35 3500K
40 4000K (90 CRI ONLY)

Beam Angles
12 12
24 24
38 38
55 55

Housing/Tray
LMT-13-NIC Mounting Tray Non-Insulated ceilings
LH-6.75-NIC Housing 6.75" Non-Insulated ceilings
LH-8.50-AT/IC Housing 8.50" Insulated/Air-tight ceilings and Chicago Plenum

Mounting Hardware
09 9" to 15.25" - Adjustable Bar Hanger Lengths
14 14" to 24" - Adjustable Bar Hanger Lengths
36 28" to 36" - Adjustable Bar Hanger Lengths
BB Butterfly Bracket
CB Caterpillar Bracket

Supply Voltage
120 120V
277 277V

Dimming Protocol
S Non-Dimmable
P TRIAC/Phase (120V ONLY) (25-10% Minimum Dimming)***
LP Lutron Forward Phase 2-Wire (1% Dimming) (120V ONLY)
ESS EcoSystem 5-Series (5% Dimming)
LHE EcoSystem Hi-Lume Fade to Black (1% Dimming)
LAE Lutron 3-Wire Hi-Lume (1% Dimming)
LHP Lutron Hi-Lume Premier EcoSystem (0.1% Dimming)
A 0-10V (15-5% Minimum Dimming)***
ESD EldoLED Solo DALI2 (0.1% Dimming)
EED EldoLED Eco DALI2 (1% Dimming)
ESA EldoLED Solo 0-10V/1-10V (0.1% Dimming)
EEA EldoLED Eco 0-10V/1-10V (1% Dimming)
B Bluetooth**

Emergency
E 3hr Emergency
ES 3hr Self Test

Louvre/Lens
XX Not required
LL45 Honeycomb
LLCC Warm Tone
LLUV UV
LLDF Solite/Diffusing
LLFR Frosted Lens
LLLS Linear Spread
LLHS Heavy Spread

*Refer to Technical Details for more information

Housing dimensions

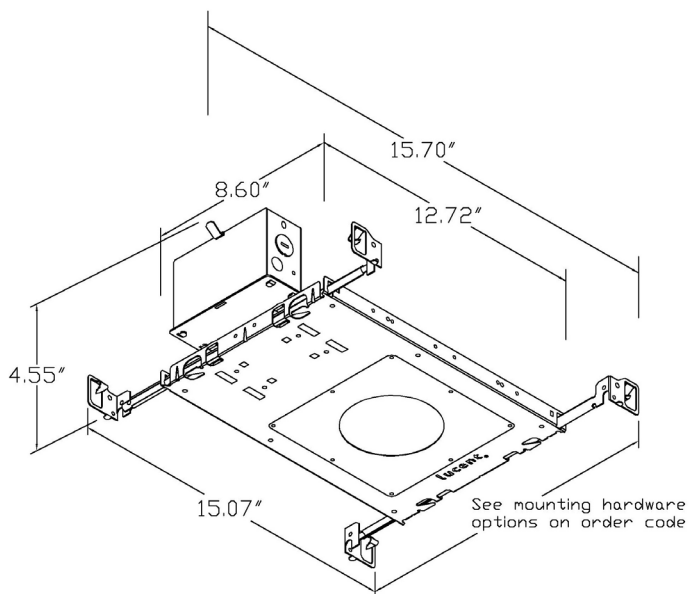


LH-6.75
Non-insulated ceilings



LH-8.50
Insulated/air-tight ceilings and
Chicago Plenum

Tray dimensions



LMT-13
Non-insulated ceilings



Honeycomb Louvre (LL45)



Solite/Diffusing Lens (LLDF)



Frosted Lens (LLFR)



Heavy Spread Lens (LLHS)



Linear Spread Lens (LLLS)



Warm Tone (LLCC)

Technical Details

*Custom color requires a paint chip or RAL code and may increase price and lead-time

It is the responsibility of the specifier/integrator/installer to check and ensure compatibility of any control equipment used. Additional cabling may be required depending on the dimming protocol specified.

**Bluetooth (wireless) is a communication protocol. The exact dimming protocol must be confirmed to allow the selection of suitable drivers or Bluetooth devices.

***Non specific driver type, dimming performance depending on exact driver used. Contact Lucent Lighting for more information.

^ Depth indicated is the minimum recess depth for the luminaire with a remote mounted LED driver. Installing a driver through either the luminaire cut-out or installation kit may require additional recess depth, please refer to the relevant installation instructions prior to purchase.

First Fix Requirement. Luminaire comprised of fixture body with ceiling trim and installation kit, which is to be fitted into the ceiling once finished. Ensure correct alignment of the installation kit before final assembly (see luminaire installation instructions for details)

Location. Tested from underside of the ceiling.

Data correct at time of publishing. It is the policy of Lucent Lighting to continually review and improve its products and therefore reserve the right to change any details of product or withdraw specifications without prior notice.

This specification sheet supersedes all previous versions.

All intellectual property rights pertaining to the product described above and to this document are owned by or licensed to Lucent Lighting, Incorporated. Lucent Lighting reserves the right to take whatever action is necessary to protect its intellectual property, patents and trademarks

Please notify Lucent Lighting Inc. inaccuracies. E&OE



Light efficiency:

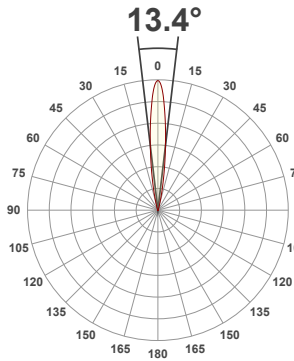
48 Lumen/Watt

Light quality:

CRI: 92.8

Color temperature:

3000 K



Product name:

Square Edge4.25 Fixed_Accent - LED50 ONE GEN2, 3000K, 12°, 350mA

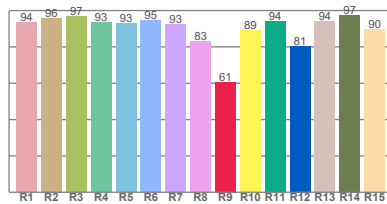
Item number:

A31433-F/A - LED51/2-30-12-350mA

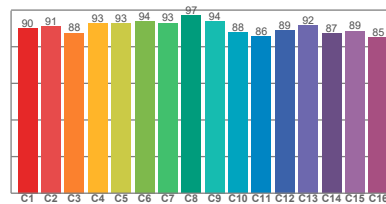
Delivered information for above fixture and LED combination.

Output: 659 Lumen Peak intensity: 8244 cd Power consumption: 13.6

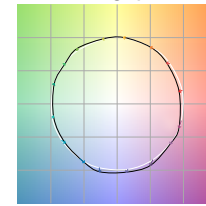
CRI R values



TM30 C Values

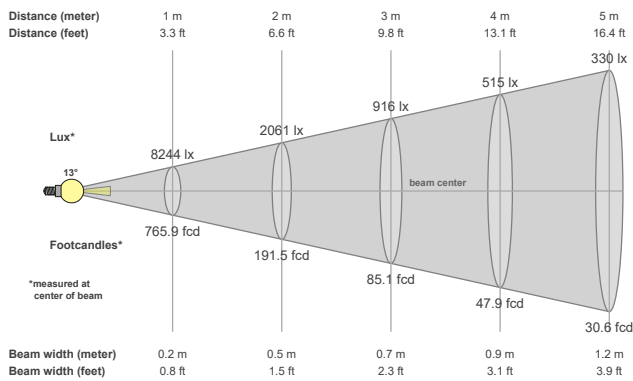


Color vector graphics



| Color temperature | Color rendering index | Red component | Color fidelity | Color gamut | Color quality scale | Color coordinate cie 1931 | Color coordinate cie 1931 | Color coordinate | Color coordinate | Color deviation from black body |
|-------------------|-----------------------|---------------|----------------|-------------|---------------------|---------------------------|---------------------------|------------------|------------------|---------------------------------|
| CCT | CRI | CRI R9 | TM30 Rf | TM30 Rg | CQS | x | y | u | v | Δuv |
| 3000 K | 92.8 | 60.5 | 90.5 | 100.4 | 90.4 | 0.437 | 0.404 | 0.248 | 0.345 | -0.0013 |

Beam details



Beam angles

| Beam angle 50% | Field angle 10% | Cutoff angle 2,5% |
|----------------|-----------------|-------------------|
| 13.4° | 26.8° | 39.7° |

Beam intensities

| Peak intensity | Int. ratio in 120° cone | Int. ratio in 90° cone |
|----------------|-------------------------|------------------------|
| 8244 cd | 99.6% | 99.0% |

Beam intensities from 1-20m

| 1m | 2m | 3m | 4m | 5m | 6m | 7m | 8m | 9m | 10m | 11m | 12m | 13m | 14m | 15m | 16m | 17m | 18m | 19m | 20m |
|----------|----------|---------|---------|---------|---------|---------|--------|--------|--------|--------|--------|--------|--------|--------|--------|--------|--------|--------|--------|
| 3.3ft | 6.6ft | 9.8ft | 13.1ft | 16.4ft | 19.7ft | 23ft | 26.2ft | 29.5ft | 32.8ft | 36.1ft | 39.4ft | 42.7ft | 45.9ft | 49.2ft | 52.5ft | 55.8ft | 59.1ft | 62.3ft | 65.6ft |
| 8244lx | 2061lx | 916lx | 515lx | 330lx | 229lx | 168lx | 129lx | 102lx | 82lx | 68lx | 57lx | 49lx | 42lx | 37lx | 32lx | 29lx | 25lx | 23lx | 21lx |
| 765.9fcd | 191.5fcd | 85.1fcd | 47.9fcd | 30.6fcd | 21.3fcd | 15.6fcd | 12fcd | 9.5fcd | 7.7fcd | 6.3fcd | 5.3fcd | 4.5fcd | 3.9fcd | 3.4fcd | 3fcd | 2.7fcd | 2.4fcd | 2.1fcd | 1.9fcd |

The above information is for 3000K colour temperature, for specific module information please see LED spec located on our website

For information regarding other colour temperatures please use the following factors for lumen output and candelas:

2700K = 1
4000K = 1.084

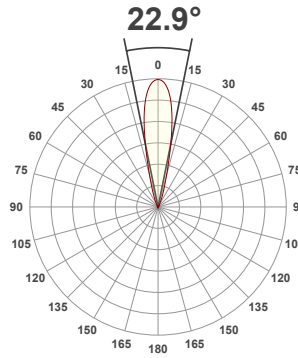
Light efficiency:



Light quality:



Color temperature:



Product name:

Square Edge4.25 Fixed_Accent - LED50 ONE GEN2, 3000K, 24°, 350mA

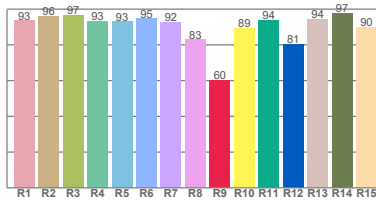
Item number:

A31433-F/A - LED51/2-30-24-350mA

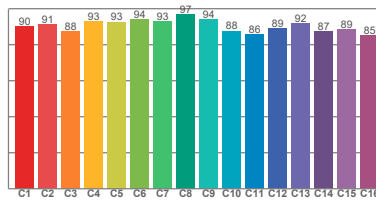
Delivered information for above fixture and LED combination.

Output: 761 Lumen Peak intensity: 4091 cd Power consumption: 13.6

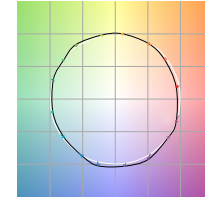
CRI R values



TM30 C Values

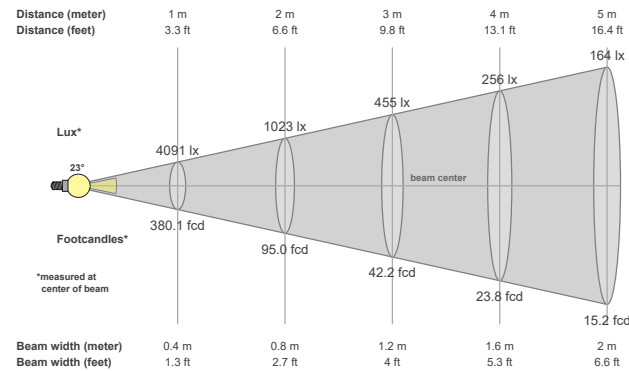


Color vector graphics



| Color temperature | Color rendering index | Red component | Color fidelity | Color gamut | Color quality scale | Color coordinate cie 1931 | Color coordinate cie 1931 | Color coordinate | Color coordinate | Color deviation from black body |
|-------------------|-----------------------|---------------|----------------|-------------|---------------------|---------------------------|---------------------------|------------------|------------------|---------------------------------|
| CCT | CRI | CRI R9 | TM30 Rf | TM30 Rg | CQS | x | y | u | v | Δuv |
| 3000 K | 92.8 | 60.4 | 90.5 | 100.4 | 90.4 | 0.437 | 0.404 | 0.248 | 0.345 | -0.0013 |

Beam details



Beam angles

| Beam angle 50% | Field angle 10% | Cutoff angle 2,5% |
|----------------|-----------------|-------------------|
| 22.9° | 41° | 56.2° |

Beam intensities

| Peak intensity | Int. ratio in 120° cone | Int. ratio in 90° cone |
|----------------|-------------------------|------------------------|
| 4091 cd | 99.3% | 98.6% |

Beam intensities from 1-20m

| 1m | 2m | 3m | 4m | 5m | 6m | 7m | 8m | 9m | 10m | 11m | 12m | 13m | 14m | 15m | 16m | 17m | 18m | 19m | 20m |
|----------|--------|---------|---------|---------|---------|--------|--------|--------|--------|--------|--------|--------|--------|--------|--------|--------|--------|--------|--------|
| 3.3ft | 6.6ft | 9.8ft | 13.1ft | 16.4ft | 19.7ft | 23ft | 26.2ft | 29.5ft | 32.8ft | 36.1ft | 39.4ft | 42.7ft | 45.9ft | 49.2ft | 52.5ft | 55.8ft | 59.1ft | 62.3ft | 65.6ft |
| 4091lx | 1023lx | 455lx | 256lx | 164lx | 114lx | 83lx | 64lx | 51lx | 41lx | 34lx | 28lx | 24lx | 21lx | 18lx | 16lx | 14lx | 13lx | 11lx | 10lx |
| 380.1fcd | 95fcd | 42.2fcd | 23.8fcd | 15.2fcd | 10.6fcd | 7.8fcd | 5.9fcd | 4.7fcd | 3.8fcd | 3.1fcd | 2.6fcd | 2.2fcd | 1.9fcd | 1.7fcd | 1.5fcd | 1.3fcd | 1.2fcd | 1.1fcd | 1fcd |

The above information is for 3000K colour temperature, for specific module information please see LED spec located on our website

For information regarding other colour temperatures please use the following factors for lumen output and candelas:

2700K = 1
4000K = 1.084

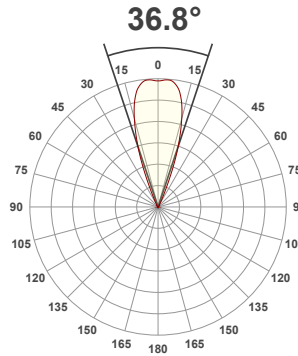
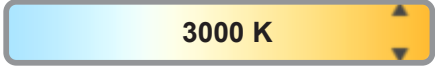
Light efficiency:



Light quality:



Color temperature:



Product name:

Square Edge4.25 Fixed_Accent - LED50 ONE GEN2, 3000K, 38°, 350mA

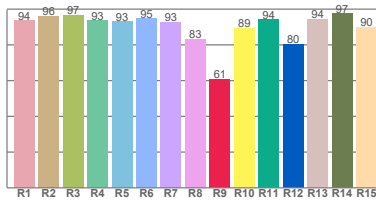
Item number:

A31433-F/A - LED51/2-30-38-350mA

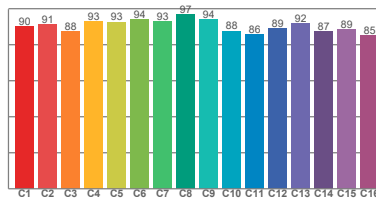
Delivered information for above fixture and LED combination.

Output: 853 Lumen Peak intensity: 2397 cd Power consumption: 13.6

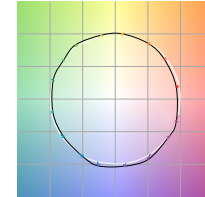
CRI R values



TM30 C Values

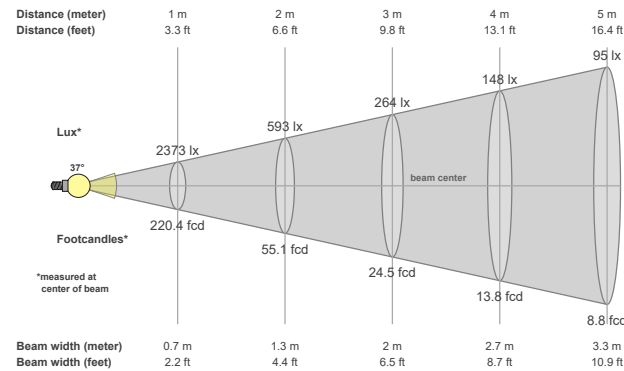


Color vector graphics



| Color temperature | Color rendering index | Red component | Color fidelity | Color gamut | Color quality scale | Color coordinate cie 1931 | Color coordinate cie 1931 | Color coordinate | Color coordinate | Color deviation from black body |
|-------------------|-----------------------|---------------|----------------|-------------|---------------------|---------------------------|---------------------------|------------------|------------------|---------------------------------|
| CCT | CRI | CRI R9 | TM30 Rf | TM30 Rg | CQS | x | y | u | v | Δuv |
| 3000 K | 92.8 | 60.6 | 90.5 | 100.4 | 90.5 | 0.437 | 0.404 | 0.248 | 0.345 | -0.0013 |

Beam details



Beam angles

| Beam angle 50% | Field angle 10% | Cutoff angle 2,5% |
|----------------|-----------------|-------------------|
| 36.8° | 50° | 62° |

Beam intensities

| Peak intensity | Int. ratio in 120° cone | Int. ratio in 90° cone |
|----------------|-------------------------|------------------------|
| 2397 cd | 99.8% | 99.3% |

Beam intensities from 1-20m

| 1m | 2m | 3m | 4m | 5m | 6m | 7m | 8m | 9m | 10m | 11m | 12m | 13m | 14m | 15m | 16m | 17m | 18m | 19m | 20m |
|----------|---------|---------|---------|--------|--------|--------|--------|--------|--------|--------|--------|--------|--------|--------|--------|--------|--------|--------|--------|
| 3.3ft | 6.6ft | 9.8ft | 13.1ft | 16.4ft | 19.7ft | 23ft | 26.2ft | 29.5ft | 32.8ft | 36.1ft | 39.4ft | 42.7ft | 45.9ft | 49.2ft | 52.5ft | 55.8ft | 59.1ft | 62.3ft | 65.6ft |
| 2373lx | 593lx | 264lx | 148lx | 95lx | 66lx | 48lx | 37lx | 29lx | 24lx | 20lx | 16lx | 14lx | 12lx | 11lx | 9lx | 8lx | 7lx | 7lx | 6lx |
| 220.4fcd | 55.1fcd | 24.5fcd | 13.8fcd | 8.8fcd | 6.1fcd | 4.5fcd | 3.4fcd | 2.7fcd | 2.2fcd | 1.8fcd | 1.5fcd | 1.3fcd | 1.1fcd | 1fcd | 0.9fcd | 0.8fcd | 0.7fcd | 0.6fcd | 0.6fcd |

The above information is for 3000K colour temperature, for specific module information please see LED spec located on our website

For information regarding other colour temperatures please use the following factors for lumen output and candelas:

2700K = 1
4000K = 1.084

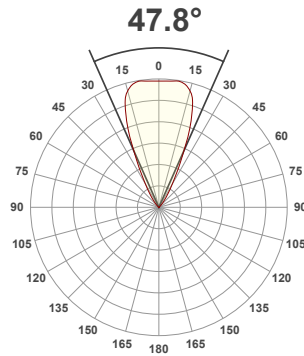
Light efficiency:



Light quality:



Color temperature:



Product name:

**Square Edge4.25 Fixed_Accent
-LED50 ONE GEN2, 3000K, 55°,
350mA**

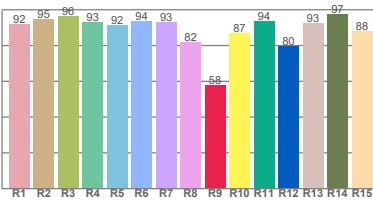
Item number:

**A31433-F/A -
LED51/2-30-55-350mA**

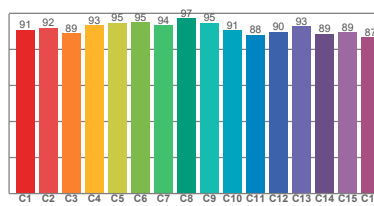
**Delivered information for above
fixture and LED combination.**

Output: 757 Lumen Peak intensity: 1161 cd Power consumption: 13.6

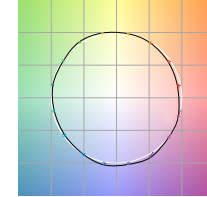
CRI R values



TM30 C Values

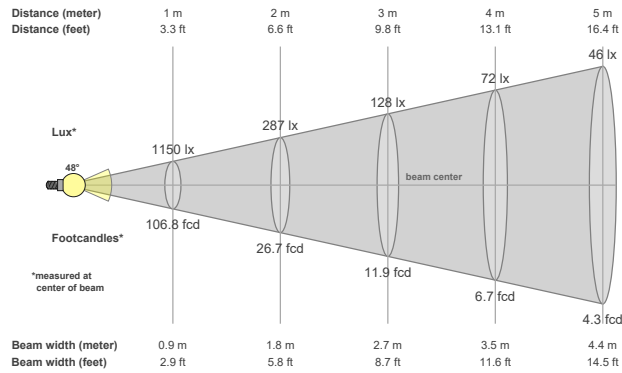


Color vector graphics



| Color temperature | Color rendering index | Red component | Color fidelity | Color gamut | Color quality scale | Color coordinate cie 1931 | Color coordinate cie 1931 | Color coordinate | Color coordinate | Color deviation from black body |
|-------------------|-----------------------|---------------|----------------|-------------|---------------------|---------------------------|---------------------------|------------------|------------------|---------------------------------|
| CCT | CRI | CRI R9 | TM30 Rf | TM30 Rg | CQS | x | y | u | v | Δuv |
| 3000 K | 92.1 | 57.9 | 91.7 | 99.8 | 90.6 | 0.437 | 0.404 | 0.250 | 0.348 | 0.0007 |

Beam details



Beam angles

| Beam angle 50% | Field angle 10% | Cutoff angle 2,5% |
|----------------|-----------------|-------------------|
| 47.8° | 71.5° | 89.5° |

Beam intensities

| Peak intensity | Int. ratio in 120° cone | Int. ratio in 90° cone |
|----------------|-------------------------|------------------------|
| 1161 cd | 99.1% | 97.5% |

Beam intensities from 1-20m

| 1m | 2m | 3m | 4m | 5m | 6m | 7m | 8m | 9m | 10m | 11m | 12m | 13m | 14m | 15m | 16m | 17m | 18m | 19m | 20m |
|----------|---------|---------|--------|--------|--------|--------|--------|--------|--------|--------|--------|--------|--------|--------|--------|--------|--------|--------|--------|
| 3.3ft | 6.6ft | 9.8ft | 13.1ft | 16.4ft | 19.7ft | 23ft | 26.2ft | 29.5ft | 32.8ft | 36.1ft | 39.4ft | 42.7ft | 45.9ft | 49.2ft | 52.5ft | 55.8ft | 59.1ft | 62.3ft | 65.6ft |
| 1150lx | 287lx | 128lx | 72lx | 46lx | 32lx | 23lx | 18lx | 14lx | 11lx | 10lx | 8lx | 7lx | 6lx | 5lx | 4lx | 4lx | 4lx | 3lx | 3lx |
| 106.8fcd | 26.7fcd | 11.9fcd | 6.7fcd | 4.3fcd | 3fcd | 2.2fcd | 1.7fcd | 1.3fcd | 1.1fcd | 0.9fcd | 0.7fcd | 0.6fcd | 0.5fcd | 0.5fcd | 0.4fcd | 0.4fcd | 0.3fcd | 0.3fcd | 0.3fcd |

The above information is for 3000K colour temperature, for specific module information please see LED spec located on our website

For information regarding other colour temperatures please use the following factors for lumen output and candelas:

- 2700K = 1
- 3500K = 1
- 4000K = 1.084

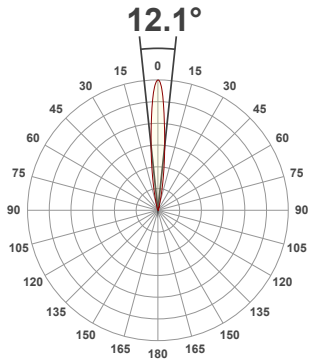
Light efficiency:



Light quality:



Color temperature:



Product name:

A31433-F_A-LED - LED51_U-30-12-350mA

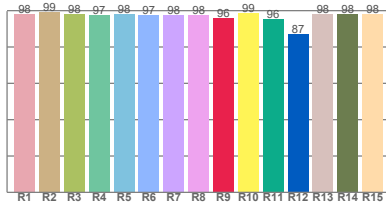
Item number:

Square Edge4.25 Fixed_Accent - LED51_U-30-12-350mA

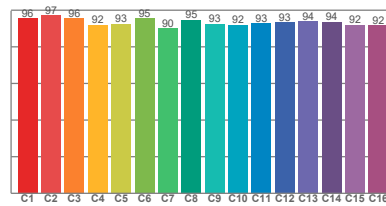
Delivered information for above fixture and LED combination.

Output: 670 Lumen Peak intensity: 9808 cd Power consumption: 13.6

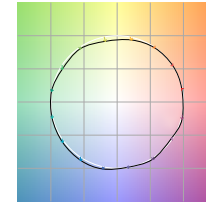
CRI R values



TM30 C Values

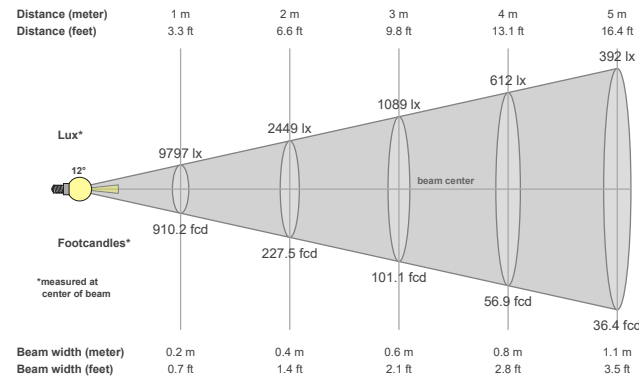


Color vector graphics



| Color temperature | Color rendering index | Red component | Color fidelity | Color gamut | Color quality scale | Color coordinate cie 1931 | Color coordinate cie 1931 | Color coordinate | Color coordinate | Color deviation from black body |
|-------------------|-----------------------|---------------|----------------|-------------|---------------------|---------------------------|---------------------------|------------------|------------------|---------------------------------|
| CCT | CRI | CRI R9 | TM30 Rf | TM30 Rg | CQS | x | y | u | v | Δuv |
| 3000 K | 97.8 | 95.9 | 93.7 | 98.8 | 94.8 | 0.437 | 0.404 | 0.250 | 0.349 | 0.0015 |

Beam details



Beam angels

| Beam angle 50% | Field angle 10% | Cutoff angle 2,5% |
|----------------|-----------------|-------------------|
| 12.1° | 25.3° | 35° |

Beam intensities

| Peak intensity | Int. ratio in 120° cone | Int. ratio in 90° cone |
|----------------|-------------------------|------------------------|
| 9808 cd | 99.8% | 99.3% |

Beam intensities from 1-20m

| 1m | 2m | 3m | 4m | 5m | 6m | 7m | 8m | 9m | 10m | 11m | 12m | 13m | 14m | 15m | 16m | 17m | 18m | 19m | 20m |
|----------|----------|----------|---------|---------|---------|---------|---------|---------|--------|--------|--------|--------|--------|--------|--------|--------|--------|--------|--------|
| 3.3ft | 6.6ft | 9.8ft | 13.1ft | 16.4ft | 19.7ft | 23ft | 26.2ft | 29.5ft | 32.8ft | 36.1ft | 39.4ft | 42.7ft | 45.9ft | 49.2ft | 52.5ft | 55.8ft | 59.1ft | 62.3ft | 65.6ft |
| 9797lx | 2449lx | 1089lx | 612lx | 392lx | 272lx | 200lx | 153lx | 121lx | 98lx | 81lx | 68lx | 58lx | 50lx | 44lx | 38lx | 34lx | 30lx | 27lx | 24lx |
| 910.2fcd | 227.5fcd | 101.1fcd | 56.9fcd | 36.4fcd | 25.3fcd | 18.6fcd | 14.2fcd | 11.2fcd | 9.1fcd | 7.5fcd | 6.3fcd | 5.4fcd | 4.6fcd | 4fcd | 3.6fcd | 3.1fcd | 2.8fcd | 2.5fcd | 2.3fcd |

The above information is for 3000K colour temperature, for specific module information please see LED spec located on our website

For information regarding other colour temperatures please use the following factors for lumen output and candelas:

2700K = 1

Light efficiency:

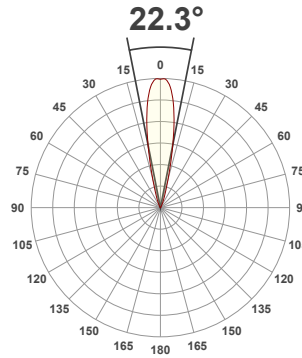
51 Lumen/Watt

Light quality:

CRI: 97.8

Color temperature:

3000 K



Product name:

**A31433-F_A-LED -
LED51_U-30-24-350mA**

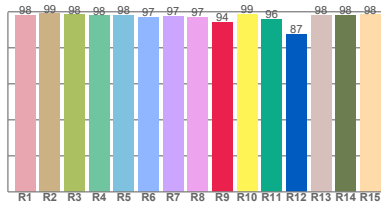
Item number:

**Square Edge4.25 Fixed_Accent -
LED51_U-30-24-350mA**

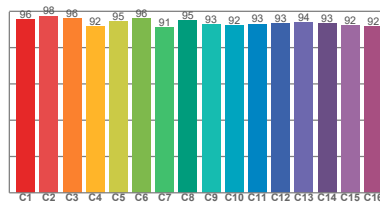
**Delivered information for above
fixture and LED combination.**

Output: 697 Lumen Peak intensity: 3983 cd Power consumption: 13.6

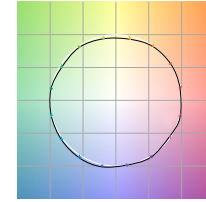
CRI R values



TM30 C Values

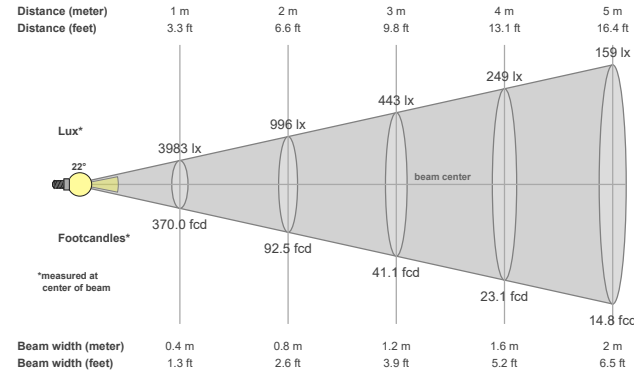


Color vector graphics



| Color temperature | Color rendering index | Red component | Color fidelity | Color gamut | Color quality scale | Color coordinate cie 1931 | Color coordinate cie 1931 | Color coordinate | Color coordinate | Color deviation from black body |
|-------------------|-----------------------|---------------|----------------|-------------|---------------------|---------------------------|---------------------------|------------------|------------------|---------------------------------|
| CCT | CRI | CRI R9 | TM30 Rf | TM30 Rg | CQS | x | y | u | v | Δuv |
| 3000 K | 97.8 | 94.3 | 93.9 | 99.1 | 95.3 | 0.437 | 0.404 | 0.251 | 0.349 | 0.0009 |

Beam details



Beam angles

| Beam angle 50% | Field angle 10% | Cutoff angle 2,5% |
|----------------|-----------------|-------------------|
| 22.3° | 38.7° | 54.9° |

Beam intensities

| Peak intensity | Int. ratio in 120° cone | Int. ratio in 90° cone |
|----------------|-------------------------|------------------------|
| 3983 cd | 99.3% | 98.6% |

Beam intensities from 1-20m

| 1m | 2m | 3m | 4m | 5m | 6m | 7m | 8m | 9m | 10m | 11m | 12m | 13m | 14m | 15m | 16m | 17m | 18m | 19m | 20m |
|--------|---------|---------|---------|---------|---------|--------|--------|--------|--------|--------|--------|--------|--------|--------|--------|--------|--------|--------|--------|
| 3.3ft | 6.6ft | 9.8ft | 13.1ft | 16.4ft | 19.7ft | 23ft | 26.2ft | 29.5ft | 32.8ft | 36.1ft | 39.4ft | 42.7ft | 45.9ft | 49.2ft | 52.5ft | 55.8ft | 59.1ft | 62.3ft | 65.6ft |
| 3983lx | 996lx | 443lx | 249lx | 159lx | 111lx | 81lx | 62lx | 49lx | 40lx | 33lx | 28lx | 24lx | 20lx | 18lx | 16lx | 14lx | 12lx | 11lx | 10lx |
| 370fcd | 92.5fcd | 41.1fcd | 23.1fcd | 14.8fcd | 10.3fcd | 7.6fcd | 5.8fcd | 4.6fcd | 3.7fcd | 3.1fcd | 2.6fcd | 2.2fcd | 1.9fcd | 1.6fcd | 1.4fcd | 1.3fcd | 1.1fcd | 1fcd | 0.9fcd |

The above information is for 3000K colour temperature, for specific module information please see LED spec located on our website

For information regarding other colour temperatures please use the following factors for lumen output and candelas:

2700K = 1

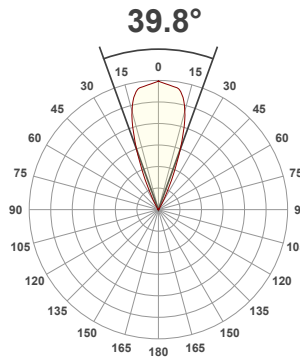
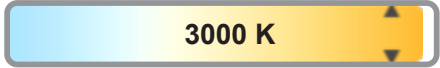
Light efficiency:



Light quality:



Color temperature:



Product name:

A31433-F_A-LED - LED51_U-30-38-350mA

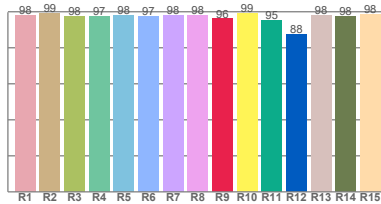
Item number:

Square Edge4.25 Fixed_Accent - LED51_U-30-38-350mA

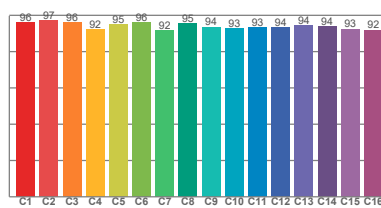
Delivered information for above fixture and LED combination.

Output: 820 Lumen Peak intensity: 1950 cd Power consumption: 13.6

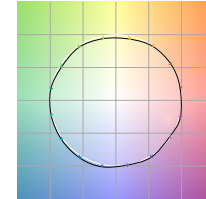
CRI R values



TM30 C Values

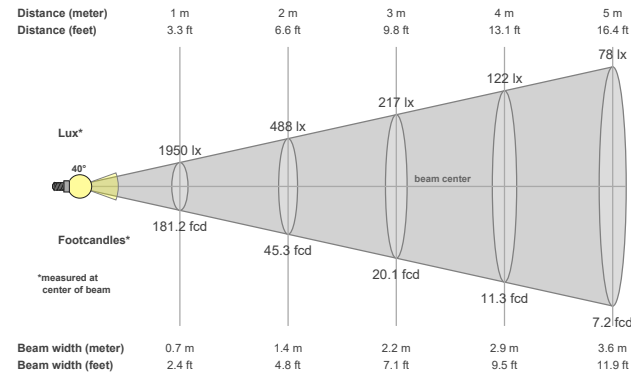


Color vector graphics



| Color temperature | Color rendering index | Red component | Color fidelity | Color gamut | Color quality scale | Color coordinate cie 1931 | Color coordinate cie 1931 | Color coordinate | Color coordinate | Color deviation from black body |
|-------------------|-----------------------|---------------|----------------|-------------|---------------------|---------------------------|---------------------------|------------------|------------------|---------------------------------|
| CCT | CRI | CRI R9 | TM30 Rf | TM30 Rg | CQS | x | y | u | v | Δuv |
| 3000 K | 97.9 | 96.1 | 94.3 | 99.4 | 95.3 | 0.437 | 0.404 | 0.250 | 0.349 | 0.0012 |

Beam details



Beam angles

| Beam angle 50% | Field angle 10% | Cutoff angle 2,5% |
|----------------|-----------------|-------------------|
| 39.8° | 56.1° | 65.8° |

Beam intensities

| Peak intensity | Int. ratio in 120° cone | Int. ratio in 90° cone |
|----------------|-------------------------|------------------------|
| 1950 cd | 99.7% | 99.1% |

Beam intensities from 1-20m

| 1m | 2m | 3m | 4m | 5m | 6m | 7m | 8m | 9m | 10m | 11m | 12m | 13m | 14m | 15m | 16m | 17m | 18m | 19m | 20m |
|----------|---------|---------|---------|--------|--------|--------|--------|--------|--------|--------|--------|--------|--------|--------|--------|--------|--------|--------|--------|
| 3.3ft | 6.6ft | 9.8ft | 13.1ft | 16.4ft | 19.7ft | 23ft | 26.2ft | 29.5ft | 32.8ft | 36.1ft | 39.4ft | 42.7ft | 45.9ft | 49.2ft | 52.5ft | 55.8ft | 59.1ft | 62.3ft | 65.6ft |
| 1950lx | 488lx | 217lx | 122lx | 78lx | 54lx | 40lx | 30lx | 24lx | 20lx | 16lx | 14lx | 12lx | 10lx | 9lx | 8lx | 7lx | 6lx | 5lx | 5lx |
| 181.2fcd | 45.3fcd | 20.1fcd | 11.3fcd | 7.2fcd | 5fcd | 3.7fcd | 2.8fcd | 2.2fcd | 1.8fcd | 1.5fcd | 1.3fcd | 1.1fcd | 0.9fcd | 0.8fcd | 0.7fcd | 0.6fcd | 0.6fcd | 0.5fcd | 0.5fcd |

The above information is for 3000K colour temperature, for specific module information please see LED spec located on our website

For information regarding other colour temperatures please use the following factors for lumen output and candelas:

2700K = 1

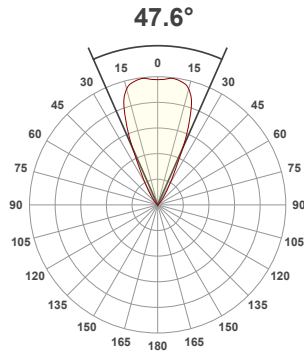
Light efficiency:



Light quality:



Color temperature:



Product name:

**A31433-F_A-LED -
LED51_U-30-55-350mA**

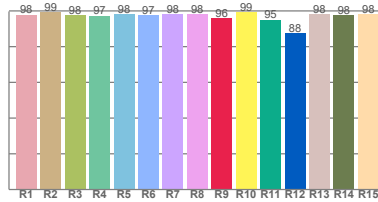
Item number:

**Square Edge4.25 Fixed_Accent -
LED51_U-30-55-350mA**

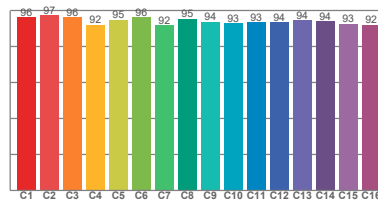
**Delivered information for above
fixture and LED combination.**

Output: 632 Lumen Peak intensity: 997 cd Power consumption: 13.6

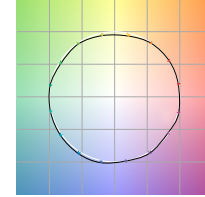
CRI R values



TM30 C Values

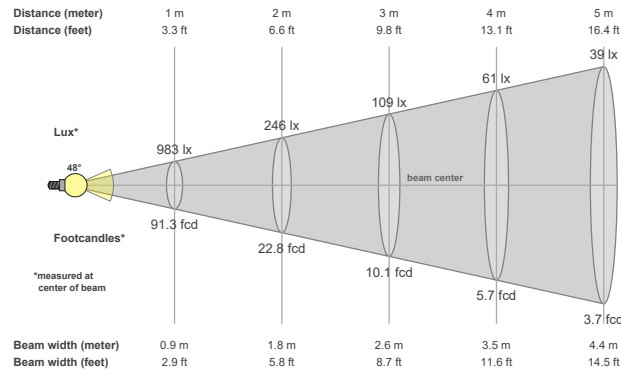


Color vector graphics



| Color temperature | Color rendering index | Red component | Color fidelity | Color gamut | Color quality scale | Color coordinate cie 1931 | Color coordinate cie 1931 | Color coordinate | Color coordinate | Color deviation from black body |
|-------------------|-----------------------|---------------|----------------|-------------|---------------------|---------------------------|---------------------------|------------------|------------------|---------------------------------|
| CCT | CRI | CRI R9 | TM30 Rf | TM30 Rg | CQS | x | y | u | v | Δuv |
| 3000 K | 98.0 | 96.1 | 94.3 | 99.4 | 95.3 | 0.437 | 0.404 | 0.251 | 0.348 | 0.0013 |

Beam details



Beam angles

| Beam angle 50% | Field angle 10% | Cutoff angle 2,5% |
|----------------|-----------------|-------------------|
| 47.6° | 69.6° | 88.1° |

Beam intensities

| Peak intensity | Int. ratio in 120° cone | Int. ratio in 90° cone |
|----------------|-------------------------|------------------------|
| 997 cd | 99.3% | 97.8% |

Beam intensities from 1-20m

| 1m | 2m | 3m | 4m | 5m | 6m | 7m | 8m | 9m | 10m | 11m | 12m | 13m | 14m | 15m | 16m | 17m | 18m | 19m | 20m |
|---------|---------|---------|--------|--------|--------|--------|--------|--------|--------|--------|--------|--------|--------|--------|--------|--------|--------|--------|--------|
| 3.3ft | 6.6ft | 9.8ft | 13.1ft | 16.4ft | 19.7ft | 23ft | 26.2ft | 29.5ft | 32.8ft | 36.1ft | 39.4ft | 42.7ft | 45.9ft | 49.2ft | 52.5ft | 55.8ft | 59.1ft | 62.3ft | 65.6ft |
| 983lx | 246lx | 109lx | 61lx | 39lx | 27lx | 20lx | 15lx | 12lx | 10lx | 8lx | 7lx | 6lx | 5lx | 4lx | 4lx | 3lx | 3lx | 3lx | 2lx |
| 91.3fcd | 22.8fcd | 10.1fcd | 5.7fcd | 3.7fcd | 2.5fcd | 1.9fcd | 1.4fcd | 1.1fcd | 0.9fcd | 0.8fcd | 0.6fcd | 0.5fcd | 0.5fcd | 0.4fcd | 0.4fcd | 0.3fcd | 0.3fcd | 0.3fcd | 0.2fcd |

The above information is for 3000K colour temperature, for specific module information please see LED spec located on our website

For information regarding other colour temperatures please use the following factors for lumen output and candelas:

2700K = 1