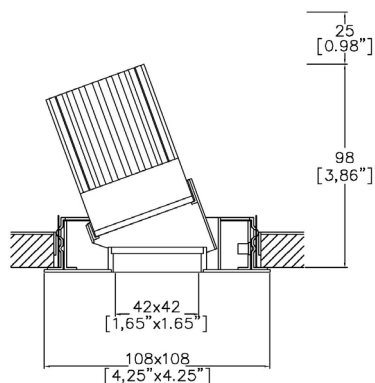


Square Edge4.25 Accent



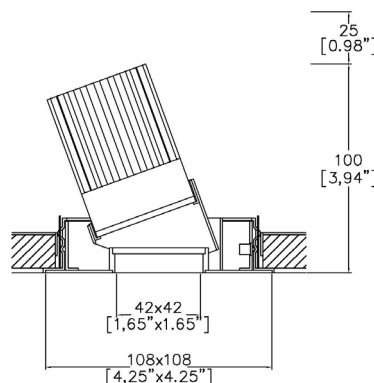
Square Edge4.25 provides high performance electronics and architectural aesthetics in 4.25” square trim with a 1.57” square aperture. Square Edge products include adjustable, fixed and washlight in a flanged or trimless installation kit. Tray, retrofit and housing installation methods (NIC, IC, AT, T24 and CCEA) Multiple configurations for equal spacing also available. Lucent modules available in a wide range of color temperatures, beam angles, intensities, and effects (Ambiance WarmDim and Dynamic Tuneable White). MR16 and GU10 LED lamp options available. TRIAC/Phase, 0-10v/1-10v, DMX and DALI/Digital dimming.



A31433-A-LED + 3000-PBZ
360° rotation. Up to 35° tilt.
Cut-out 103mm (4.00”) Ø



**Installation kit for overlap flange
8000-PBZ-SQ**



A31433-A-LED + 3000-PCZ
360° rotation. Up to 35° tilt.
Cut-out 98mm (3.85”) Ø



**Mud-in kit for seamless/trimless
8000-PCZ-SQ**

LED Source	LED51/2	LED51/2	LED51/2	LED51/2	LED51/U	LED51/U	LED51/U	LED51/U
CCT	3000K	3000K	3000K	3000K	3000K	3000K	3000K	3000K
Drive Current	350mA	350mA	350mA	350mA	350mA	350mA	350mA	350mA
Power inc Driver	13.6W	13.6W	13.6W	13.6W	13.6W	13.6W	13.6W	13.6W
Beam Angle	12°	24°	38°	55°	12°	24°	38°	55°
Delivered Lumens	659	761	853	757	670	697	820	632
Delivered Intensisty cd	8244	4091	2397	1161	9808	3983	1950	997
Efficacy lm/w	48	56	63	56	49	51	60	47
Forward Volt	33V	33V	33V	33V	33V	33V	33V	33V
CRI	≥90 CRI	≥90 CRI	≥90 CRI	≥90 CRI	≥98 CRI	≥98 CRI	≥98 CRI	≥98 CRI

Project Ref: _____

Location Ref: _____

Specify fixture part number (All boxes must be filled in to correctly order)

A31433-A-LED														
--------------	--	--	--	--	--	--	--	--	--	--	--	--	--	--

Finish
WH White
BK Black

Location
XX Dry
DP Damp
WT Wet

Installation
PB 8000-PBZ-SQ Flange kit
PC 8000-PCZ-SQ Mud-in kit

Ceiling Thickness
SC Standard Ceiling (1/2"-5/8"-3/4")
C Custom

LED Type
LED51/2 LED51/2 (90CRI)
LED51/U LED51/U (98CRI)

CCT
27 2700K
30 3000K
35 3500K
40 4000K (90 CRI ONLY)

Beam Angles
12 12
24 24
38 38
55 55

Housing/Tray
LMT-13-NIC Mounting Tray Non-Insulated ceilings
LH-6.75-NIC Housing 6.75" Non-Insulated ceilings
LH-8.50-AT/IC Housing 8.50" Insulated/Air-tight ceilings and Chicago Plenum

Mounting Hardware
09 9" to 15.25" - Adjustable Bar Hanger Lengths
14 14" to 24" - Adjustable Bar Hanger Lengths
36 28" to 36" - Adjustable Bar Hanger Lengths
BB Butterfly Bracket
CB Caterpillar Bracket

Supply Voltage
120 120V
277 277V

Dimming Protocol
S Non-Dimmable
P TRIAC/Phase (120V ONLY) (25-10% Minimum Dimming)***
LP Lutron Forward Phase 2-Wire (1% Dimming) (120V ONLY)
ESS EcoSystem 5-Series (5% Dimming)
LHE EcoSystem Hi-Lume Fade to Black (1% Dimming)
LAE Lutron 3-Wire Hi-Lume (1% Dimming)
LHP Lutron Hi-Lume Premier EcoSystem (0.1% Dimming)
A 0-10V (15-5% Minimum Dimming)***
ESD EldoLED Solo DALI2 (0.1% Dimming)
EED EldoLED Eco DALI2 (1% Dimming)
ESA EldoLED Solo 0-10V/1-10V (0.1% Dimming)
EEA EldoLED Eco 0-10V/1-10V (1% Dimming)
B Bluetooth**

Emergency
E 3hr Emergency
ES 3hr Self Test

Louvre/Lens
XX Not required
LL45 Honeycomb
LLCC Warm Tone
LLUV UV
LLDF Solite/Diffusing
LLFR Frosted Lens
LLLS Linear Spread
LLHS Heavy Spread

*Refer to Technical Details for more information

Housing dimensions



LH-6.75
Non-insulated ceilings



LH-8.50
Insulated/air-tight ceilings and
Chicago Plenum

Tray dimensions



LMT-13
Non-insulated ceilings



Honeycomb Louvre (LL45)



Solite/Diffusing Lens (LLDF)



Frosted Lens (LLFR)



Heavy Spread Lens (LLHS)



Linear Spread Lens (LLLS)



Warm Tone (LLCC)

.....

Technical Details

*Custom color requires a paint chip or RAL code and may increase price and lead-time

It is the responsibility of the specifier/integrator/installer to check and ensure compatibility of any control equipment used. Additional cabling may be required depending on the dimming protocol specified.

**Bluetooth (wireless) is a communication protocol. The exact dimming protocol must be confirmed to allow the selection of suitable drivers or Bluetooth devices.

***Non specific driver type, dimming performance depending on exact driver used. Contact Lucent Lighting for more information.

^ Depth indicated is the minimum recess depth for the luminaire with a remote mounted LED driver. Installing a driver through either the luminaire cut-out or installation kit may require additional recess depth, please refer to the relevant installation instructions prior to purchase.

First Fix Requirement. Luminaire comprised of fixture body with ceiling trim and installation kit, which is to be fitted into the ceiling once finished. Ensure correct alignment of the installation kit before final assembly (see luminaire installation instructions for details)

Location. Tested from underside of the ceiling.

Data correct at time of publishing. It is the policy of Lucent Lighting to continually review and improve its products and therefore reserve the right to change any details of product or withdraw specifications without prior notice.

This specification sheet supersedes all previous versions.

All intellectual property rights pertaining to the product described above and to this document are owned by or licensed to Lucent Lighting, Incorporated. Lucent Lighting reserves the right to take whatever action is necessary to protect its intellectual property, patents and trademarks

Please notify Lucent Lighting Inc. inaccuracies. E&OE

.....



Light efficiency:

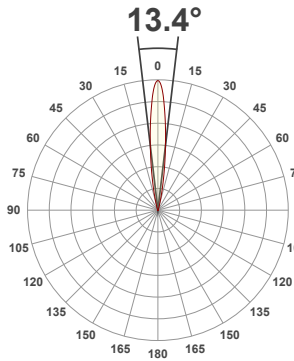
48 Lumen/Watt

Light quality:

CRI: 92.8

Color temperature:

3000 K



Product name:

Square Edge4.25 Fixed_Accent - LED50 ONE GEN2, 3000K, 12°, 350mA

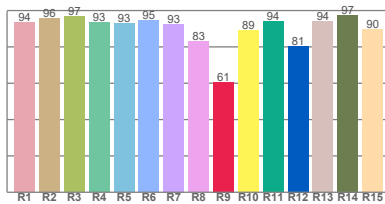
Item number:

A31433-F/A - LED51/2-30-12-350mA

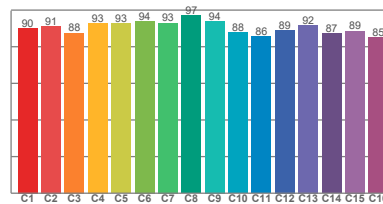
Delivered information for above fixture and LED combination.

Output: 659 Lumen Peak intensity: 8244 cd Power consumption: 13.6

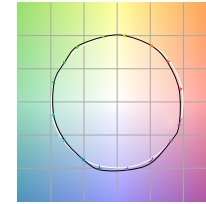
CRI R values



TM30 C Values

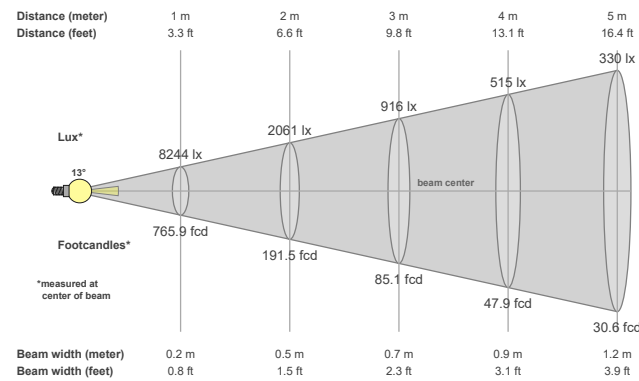


Color vector graphics



Color temperature	Color rendering index	Red component	Color fidelity	Color gamut	Color quality scale	Color coordinate cie 1931	Color coordinate cie 1931	Color coordinate	Color coordinate	Color deviation from black body
CCT	CRI	CRI R9	TM30 Rf	TM30 Rg	CQS	x	y	u	v	Δuv
3000 K	92.8	60.5	90.5	100.4	90.4	0.437	0.404	0.248	0.345	-0.0013

Beam details



Beam angles

Beam angle 50%	Field angle 10%	Cutoff angle 2,5%
13.4°	26.8°	39.7°

Beam intensities

Peak intensity	Int. ratio in 120° cone	Int. ratio in 90° cone
8244 cd	99.6%	99.0%

Beam intensities from 1-20m

1m	2m	3m	4m	5m	6m	7m	8m	9m	10m	11m	12m	13m	14m	15m	16m	17m	18m	19m	20m
3.3ft	6.6ft	9.8ft	13.1ft	16.4ft	19.7ft	23ft	26.2ft	29.5ft	32.8ft	36.1ft	39.4ft	42.7ft	45.9ft	49.2ft	52.5ft	55.8ft	59.1ft	62.3ft	65.6ft
8244lx	2061lx	916lx	515lx	330lx	229lx	168lx	129lx	102lx	82lx	68lx	57lx	49lx	42lx	37lx	32lx	29lx	25lx	23lx	21lx
765.9fcd	191.5fcd	85.1fcd	47.9fcd	30.6fcd	21.3fcd	15.6fcd	12fcd	9.5fcd	7.7fcd	6.3fcd	5.3fcd	4.5fcd	3.9fcd	3.4fcd	3fcd	2.7fcd	2.4fcd	2.1fcd	1.9fcd

The above information is for 3000K colour temperature, for specific module information please see LED spec located on our website

For information regarding other colour temperatures please use the following factors for lumen output and candelas:

2700K = 1
4000K = 1.084

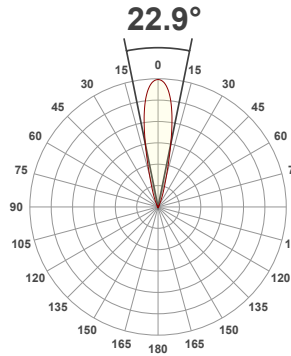
Light efficiency:



Light quality:



Color temperature:



Product name:

Square Edge4.25 Fixed_Accent - LED50 ONE GEN2, 3000K, 24°, 350mA

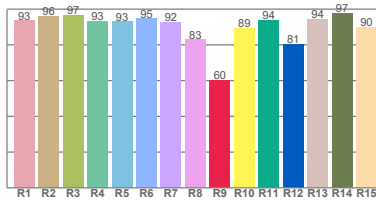
Item number:

A31433-F/A - LED51/2-30-24-350mA

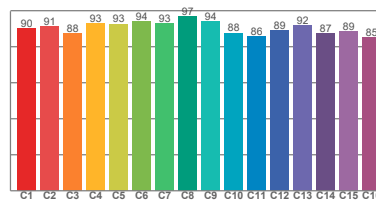
Delivered information for above fixture and LED combination.

Output: 761 Lumen Peak intensity: 4091 cd Power consumption: 13.6

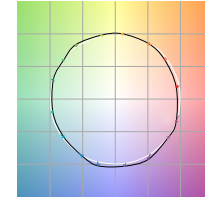
CRI R values



TM30 C Values

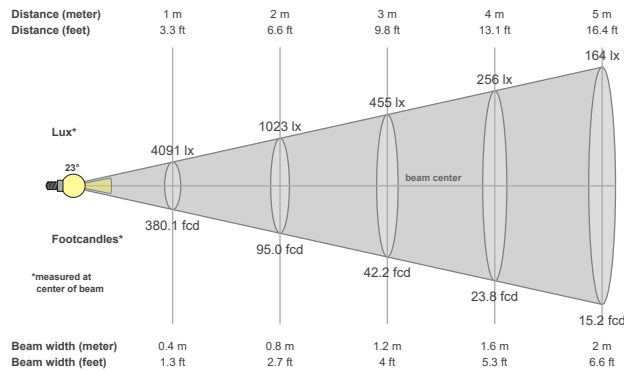


Color vector graphics



Color temperature	Color rendering index	Red component	Color fidelity	Color gamut	Color quality scale	Color coordinate cie 1931	Color coordinate cie 1931	Color coordinate	Color coordinate	Color deviation from black body
CCT	CRI	CRI R9	TM30 Rf	TM30 Rg	CQS	x	y	u	v	Δuv
3000 K	92.8	60.4	90.5	100.4	90.4	0.437	0.404	0.248	0.345	-0.0013

Beam details



Beam angles

Beam angle 50%	Field angle 10%	Cutoff angle 2,5%
22.9°	41°	56.2°

Beam intensities

Peak intensity	Int. ratio in 120° cone	Int. ratio in 90° cone
4091 cd	99.3%	98.6%

Beam intensities from 1-20m

1m	2m	3m	4m	5m	6m	7m	8m	9m	10m	11m	12m	13m	14m	15m	16m	17m	18m	19m	20m
3.3ft	6.6ft	9.8ft	13.1ft	16.4ft	19.7ft	23ft	26.2ft	29.5ft	32.8ft	36.1ft	39.4ft	42.7ft	45.9ft	49.2ft	52.5ft	55.8ft	59.1ft	62.3ft	65.6ft
4091lx	1023lx	455lx	256lx	164lx	114lx	83lx	64lx	51lx	41lx	34lx	28lx	24lx	21lx	18lx	16lx	14lx	13lx	11lx	10lx
380.1fcd	95fcd	42.2fcd	23.8fcd	15.2fcd	10.6fcd	7.8fcd	5.9fcd	4.7fcd	3.8fcd	3.1fcd	2.6fcd	2.2fcd	1.9fcd	1.7fcd	1.5fcd	1.3fcd	1.2fcd	1.1fcd	1fcd

The above information is for 3000K colour temperature, for specific module information please see LED spec located on our website

For information regarding other colour temperatures please use the following factors for lumen output and candelas:

2700K = 1
4000K = 1.084

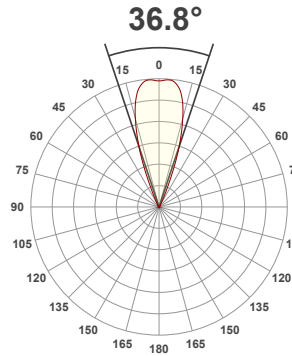
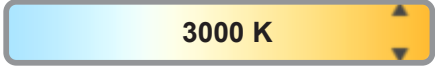
Light efficiency:



Light quality:



Color temperature:



Product name:

Square Edge4.25 Fixed_Accent - LED50 ONE GEN2, 3000K, 38°, 350mA

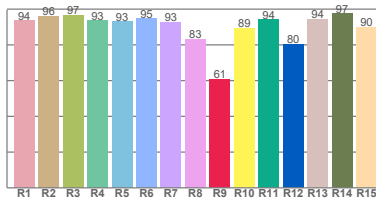
Item number:

A31433-F/A - LED51/2-30-38-350mA

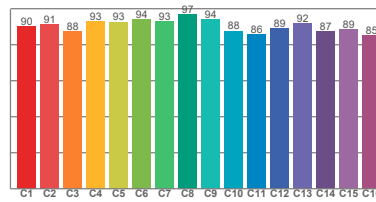
Delivered information for above fixture and LED combination.

Output: 853 Lumen Peak intensity: 2397 cd Power consumption: 13.6

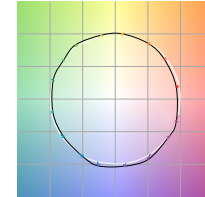
CRI R values



TM30 C Values

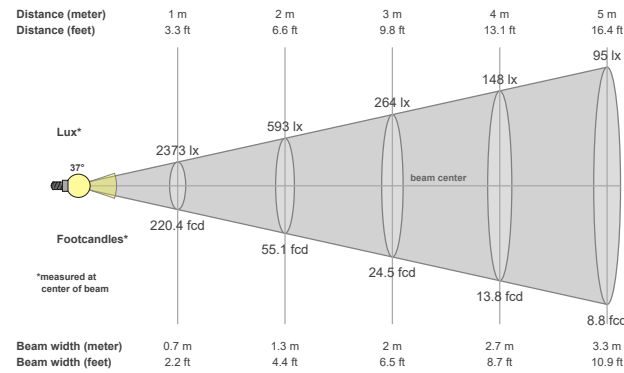


Color vector graphics



Color temperature	Color rendering index	Red component	Color fidelity	Color gamut	Color quality scale	Color coordinate cie 1931	Color coordinate cie 1931	Color coordinate	Color coordinate	Color deviation from black body
CCT	CRI	CRI R9	TM30 Rf	TM30 Rg	CQS	x	y	u	v	Δuv
3000 K	92.8	60.6	90.5	100.4	90.5	0.437	0.404	0.248	0.345	-0.0013

Beam details



Beam angles

Beam angle 50%	Field angle 10%	Cutoff angle 2,5%
36.8°	50°	62°

Beam intensities

Peak intensity	Int. ratio in 120° cone	Int. ratio in 90° cone
2397 cd	99.8%	99.3%

Beam intensities from 1-20m

1m	2m	3m	4m	5m	6m	7m	8m	9m	10m	11m	12m	13m	14m	15m	16m	17m	18m	19m	20m
3.3ft	6.6ft	9.8ft	13.1ft	16.4ft	19.7ft	23ft	26.2ft	29.5ft	32.8ft	36.1ft	39.4ft	42.7ft	45.9ft	49.2ft	52.5ft	55.8ft	59.1ft	62.3ft	65.6ft
2373lx	593lx	264lx	148lx	95lx	66lx	48lx	37lx	29lx	24lx	20lx	16lx	14lx	12lx	11lx	9lx	8lx	7lx	7lx	6lx
220.4fcd	55.1fcd	24.5fcd	13.8fcd	8.8fcd	6.1fcd	4.5fcd	3.4fcd	2.7fcd	2.2fcd	1.8fcd	1.5fcd	1.3fcd	1.1fcd	1fcd	0.9fcd	0.8fcd	0.7fcd	0.6fcd	0.6fcd

The above information is for 3000K colour temperature, for specific module information please see LED spec located on our website

For information regarding other colour temperatures please use the following factors for lumen output and candelas:

2700K = 1
4000K = 1.084

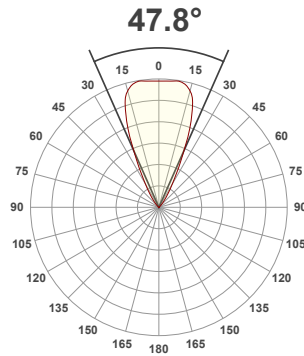
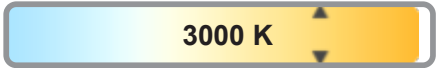
Light efficiency:



Light quality:



Color temperature:



Product name:

**Square Edge4.25 Fixed_Accent
-LED50 ONE GEN2, 3000K, 55°,
350mA**

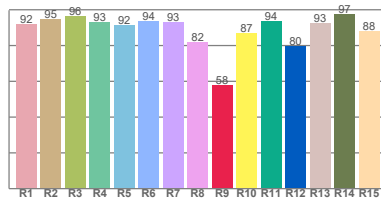
Item number:

**A31433-F/A -
LED51/2-30-55-350mA**

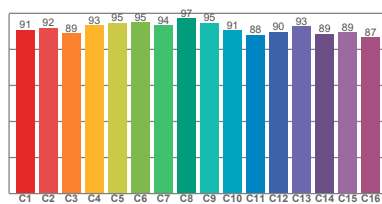
**Delivered information for above
fixture and LED combination.**

Output: 757 Lumen Peak intensity: 1161 cd Power consumption: 13.6

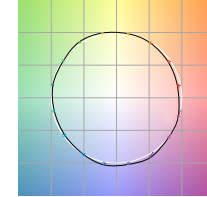
CRI R values



TM30 C Values

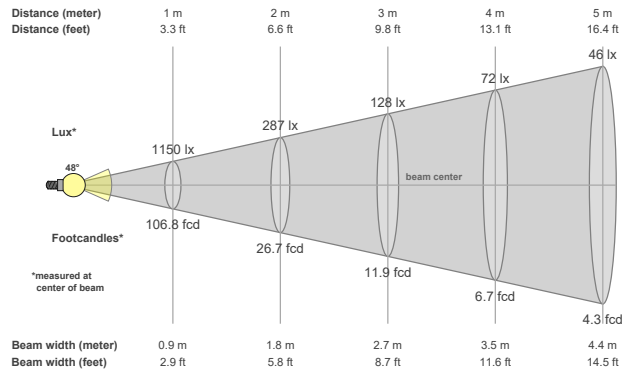


Color vector graphics



Color temperature	Color rendering index	Red component	Color fidelity	Color gamut	Color quality scale	Color coordinate cie 1931	Color coordinate cie 1931	Color coordinate	Color coordinate	Color deviation from black body
CCT	CRI	CRI R9	TM30 Rf	TM30 Rg	CQS	x	y	u	v	Δuv
3000 K	92.1	57.9	91.7	99.8	90.6	0.437	0.404	0.250	0.348	0.0007

Beam details



Beam angles

Beam angle 50%	Field angle 10%	Cutoff angle 2,5%
47.8°	71.5°	89.5°

Beam intensities

Peak intensity	Int. ratio in 120° cone	Int. ratio in 90° cone
1161 cd	99.1%	97.5%

Beam intensities from 1-20m

1m	2m	3m	4m	5m	6m	7m	8m	9m	10m	11m	12m	13m	14m	15m	16m	17m	18m	19m	20m
3.3ft	6.6ft	9.8ft	13.1ft	16.4ft	19.7ft	23ft	26.2ft	29.5ft	32.8ft	36.1ft	39.4ft	42.7ft	45.9ft	49.2ft	52.5ft	55.8ft	59.1ft	62.3ft	65.6ft
1150lx	287lx	128lx	72lx	46lx	32lx	23lx	18lx	14lx	11lx	10lx	8lx	7lx	6lx	5lx	4lx	4lx	4lx	3lx	3lx
106.8fcd	26.7fcd	11.9fcd	6.7fcd	4.3fcd	3fcd	2.2fcd	1.7fcd	1.3fcd	1.1fcd	0.9fcd	0.7fcd	0.6fcd	0.5fcd	0.5fcd	0.4fcd	0.4fcd	0.3fcd	0.3fcd	0.3fcd

The above information is for 3000K colour temperature, for specific module information please see LED spec located on our website

For information regarding other colour temperatures please use the following factors for lumen output and candelas:

- 2700K = 1
- 3500K = 1
- 4000K = 1.084

Light efficiency:

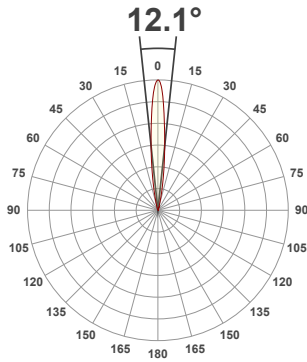
49 Lumen/Watt

Light quality:

CRI: 97.8

Color temperature:

3000 K



Product name:

**A31433-F_A-LED -
LED51_U-30-12-350mA**

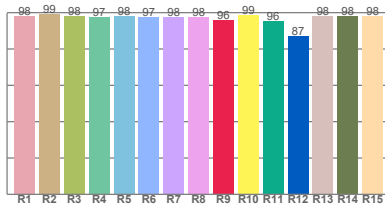
Item number:

**Square Edge4.25 Fixed_Accent -
LED51_U-30-12-350mA**

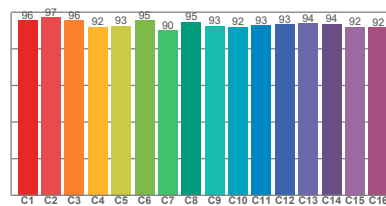
**Delivered information for above
fixture and LED combination.**

Output: 670 Lumen Peak intensity: 9808 cd Power consumption: 13.6

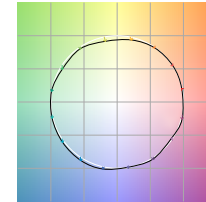
CRI R values



TM30 C Values

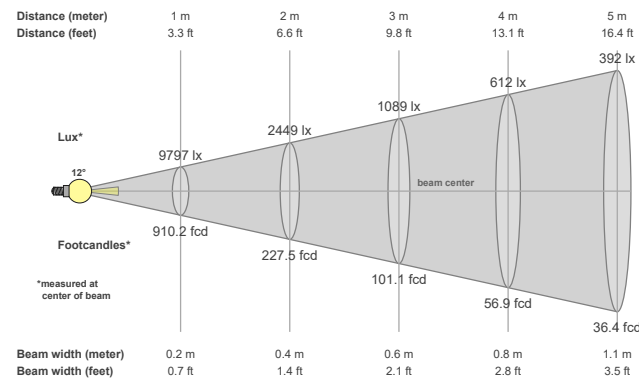


Color vector graphics



Color temperature	Color rendering index	Red component	Color fidelity	Color gamut	Color quality scale	Color coordinate cie 1931	Color coordinate cie 1931	Color coordinate	Color coordinate	Color deviation from black body
CCT	CRI	CRI R9	TM30 Rf	TM30 Rg	CQS	x	y	u	v	Δuv
3000 K	97.8	95.9	93.7	98.8	94.8	0.437	0.404	0.250	0.349	0.0015

Beam details



Beam angels

Beam angle 50%	Field angle 10%	Cutoff angle 2,5%
12.1°	25.3°	35°

Beam intensities

Peak intensity	Int. ratio in 120° cone	Int. ratio in 90° cone
9808 cd	99.8%	99.3%

Beam intensities from 1-20m

1m	2m	3m	4m	5m	6m	7m	8m	9m	10m	11m	12m	13m	14m	15m	16m	17m	18m	19m	20m
3.3ft	6.6ft	9.8ft	13.1ft	16.4ft	19.7ft	23ft	26.2ft	29.5ft	32.8ft	36.1ft	39.4ft	42.7ft	45.9ft	49.2ft	52.5ft	55.8ft	59.1ft	62.3ft	65.6ft
9797lx	2449lx	1089lx	612lx	392lx	272lx	200lx	153lx	121lx	98lx	81lx	68lx	58lx	50lx	44lx	38lx	34lx	30lx	27lx	24lx
910.2fcd	227.5fcd	101.1fcd	56.9fcd	36.4fcd	25.3fcd	18.6fcd	14.2fcd	11.2fcd	9.1fcd	7.5fcd	6.3fcd	5.4fcd	4.6fcd	4fcd	3.6fcd	3.1fcd	2.8fcd	2.5fcd	2.3fcd

The above information is for 3000K colour temperature, for specific module information please see LED spec located on our website

For information regarding other colour temperatures please use the following factors for lumen output and candelas:

2700K = 1

Light efficiency:

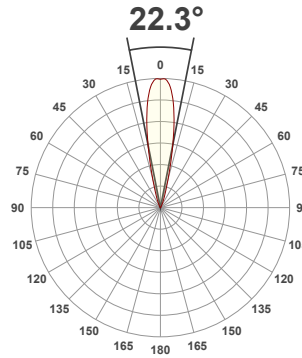
51 Lumen/Watt

Light quality:

CRI: 97.8

Color temperature:

3000 K



Product name:

**A31433-F_A-LED -
LED51_U-30-24-350mA**

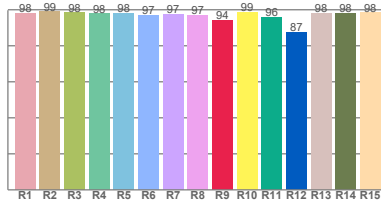
Item number:

**Square Edge4.25 Fixed_Accent -
LED51_U-30-24-350mA**

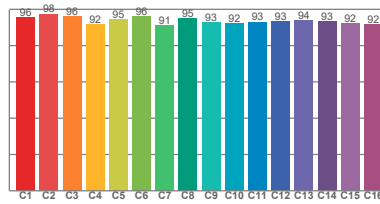
Delivered information for above
fixture and LED combination.

Output: 697 Lumen Peak intensity: 3983 cd Power consumption: 13.6

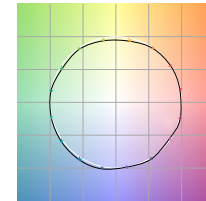
CRI R values



TM30 C Values

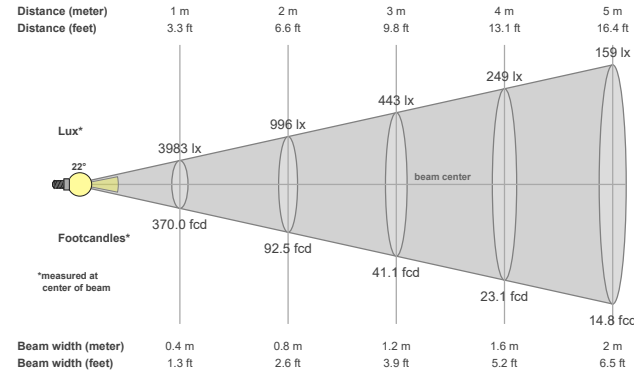


Color vector graphics



Color temperature	Color rendering index	Red component	Color fidelity	Color gamut	Color quality scale	Color coordinate cie 1931	Color coordinate cie 1931	Color coordinate	Color coordinate	Color deviation from black body
CCT	CRI	CRI R9	TM30 Rf	TM30 Rg	CQS	x	y	u	v	Δuv
3000 K	97.8	94.3	93.9	99.1	95.3	0.437	0.404	0.251	0.349	0.0009

Beam details



Beam angles

Beam angle 50%	Field angle 10%	Cutoff angle 2,5%
22.3°	38.7°	54.9°

Beam intensities

Peak intensity	Int. ratio in 120° cone	Int. ratio in 90° cone
3983 cd	99.3%	98.6%

Beam intensities from 1-20m

1m	2m	3m	4m	5m	6m	7m	8m	9m	10m	11m	12m	13m	14m	15m	16m	17m	18m	19m	20m
3.3ft	6.6ft	9.8ft	13.1ft	16.4ft	19.7ft	23ft	26.2ft	29.5ft	32.8ft	36.1ft	39.4ft	42.7ft	45.9ft	49.2ft	52.5ft	55.8ft	59.1ft	62.3ft	65.6ft
3983lx	996lx	443lx	249lx	159lx	111lx	81lx	62lx	49lx	40lx	33lx	28lx	24lx	20lx	18lx	16lx	14lx	12lx	11lx	10lx
370fcd	92.5fcd	41.1fcd	23.1fcd	14.8fcd	10.3fcd	7.6fcd	5.8fcd	4.6fcd	3.7fcd	3.1fcd	2.6fcd	2.2fcd	1.9fcd	1.6fcd	1.4fcd	1.3fcd	1.1fcd	1fcd	0.9fcd

The above information is for 3000K colour temperature, for specific module information please see LED spec located on our website

For information regarding other colour temperatures please use the following factors for lumen output and candelas:

2700K = 1

Light efficiency:

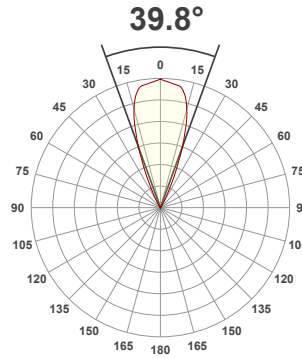
60 Lumen/Watt

Light quality:

CRI: 97.9

Color temperature:

3000 K



Product name:

A31433-F_A-LED - LED51_U-30-38-350mA

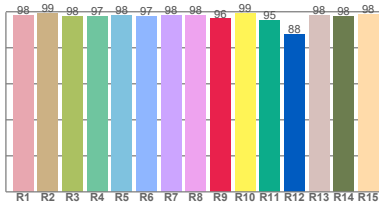
Item number:

Square Edge4.25 Fixed_Accent - LED51_U-30-38-350mA

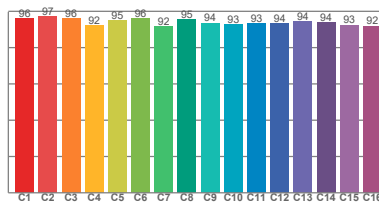
Delivered information for above fixture and LED combination.

Output: 820 Lumen Peak intensity: 1950 cd Power consumption: 13.6

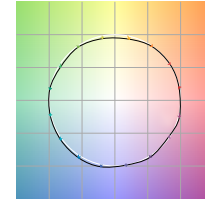
CRI R values



TM30 C Values

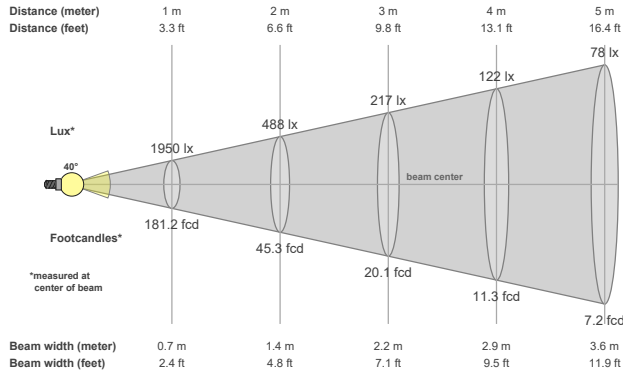


Color vector graphics



Color temperature	Color rendering index	Red component	Color fidelity	Color gamut	Color quality scale	Color coordinate cie 1931	Color coordinate cie 1931	Color coordinate	Color coordinate	Color deviation from black body
CCT	CRI	CRI R9	TM30 Rf	TM30 Rg	CQS	x	y	u	v	Δuv
3000 K	97.9	96.1	94.3	99.4	95.3	0.437	0.404	0.250	0.349	0.0012

Beam details



Beam angles

Beam angle 50%	Field angle 10%	Cutoff angle 2,5%
39.8°	56.1°	65.8°

Beam intensities

Peak intensity	Int. ratio in 120° cone	Int. ratio in 90° cone
1950 cd	99.7%	99.1%

Beam intensities from 1-20m

1m	2m	3m	4m	5m	6m	7m	8m	9m	10m	11m	12m	13m	14m	15m	16m	17m	18m	19m	20m
3.3ft	6.6ft	9.8ft	13.1ft	16.4ft	19.7ft	23ft	26.2ft	29.5ft	32.8ft	36.1ft	39.4ft	42.7ft	45.9ft	49.2ft	52.5ft	55.8ft	59.1ft	62.3ft	65.6ft
1950lx	488lx	217lx	122lx	78lx	54lx	40lx	30lx	24lx	20lx	16lx	14lx	12lx	10lx	9lx	8lx	7lx	6lx	5lx	5lx
181.2fcd	45.3fcd	20.1fcd	11.3fcd	7.2fcd	5fcd	3.7fcd	2.8fcd	2.2fcd	1.8fcd	1.5fcd	1.3fcd	1.1fcd	0.9fcd	0.8fcd	0.7fcd	0.6fcd	0.6fcd	0.5fcd	0.5fcd

The above information is for 3000K colour temperature, for specific module information please see LED spec located on our website

For information regarding other colour temperatures please use the following factors for lumen output and candelas:

2700K = 1

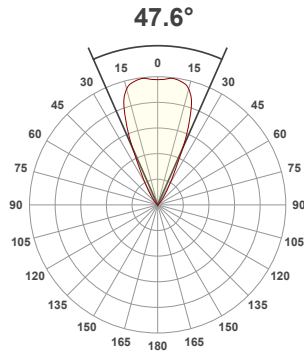
Light efficiency:



Light quality:



Color temperature:



Product name:

A31433-F_A-LED - LED51_U-30-55-350mA

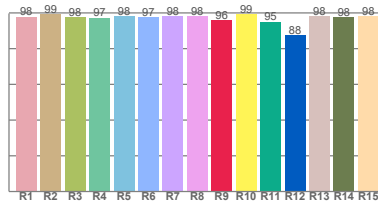
Item number:

Square Edge4.25 Fixed_Accent - LED51_U-30-55-350mA

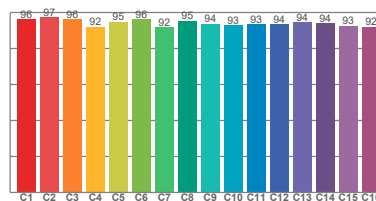
Delivered information for above fixture and LED combination.

Output: 632 Lumen Peak intensity: 997 cd Power consumption: 13.6

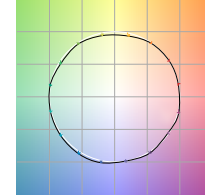
CRI R values



TM30 C Values

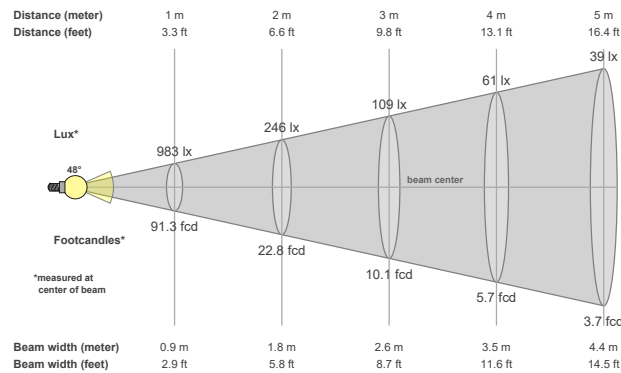


Color vector graphics



Color temperature	Color rendering index	Red component	Color fidelity	Color gamut	Color quality scale	Color coordinate cie 1931	Color coordinate cie 1931	Color coordinate	Color coordinate	Color deviation from black body
CCT	CRI	CRI R9	TM30 Rf	TM30 Rg	CQS	x	y	u	v	Δuv
3000 K	98.0	96.1	94.3	99.4	95.3	0.437	0.404	0.251	0.348	0.0013

Beam details



Beam angles

Beam angle 50%	Field angle 10%	Cutoff angle 2,5%
47.6°	69.6°	88.1°

Beam intensities

Peak intensity	Int. ratio in 120° cone	Int. ratio in 90° cone
997 cd	99.3%	97.8%

Beam intensities from 1-20m

1m	2m	3m	4m	5m	6m	7m	8m	9m	10m	11m	12m	13m	14m	15m	16m	17m	18m	19m	20m
3.3ft	6.6ft	9.8ft	13.1ft	16.4ft	19.7ft	23ft	26.2ft	29.5ft	32.8ft	36.1ft	39.4ft	42.7ft	45.9ft	49.2ft	52.5ft	55.8ft	59.1ft	62.3ft	65.6ft
983lx	246lx	109lx	61lx	39lx	27lx	20lx	15lx	12lx	10lx	8lx	7lx	6lx	5lx	4lx	4lx	3lx	3lx	3lx	2lx
91.3fcd	22.8fcd	10.1fcd	5.7fcd	3.7fcd	2.5fcd	1.9fcd	1.4fcd	1.1fcd	0.9fcd	0.8fcd	0.6fcd	0.5fcd	0.5fcd	0.4fcd	0.4fcd	0.3fcd	0.3fcd	0.3fcd	0.2fcd

The above information is for 3000K colour temperature, for specific module information please see LED spec located on our website

For information regarding other colour temperatures please use the following factors for lumen output and candelas:

2700K = 1