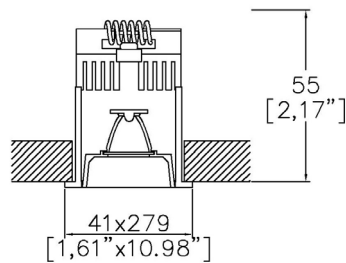


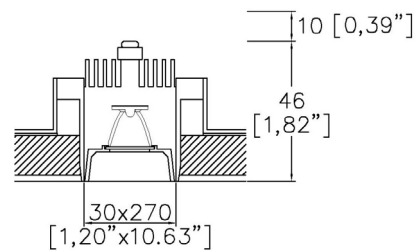
# Line 10LED Cube



Line is a range of miniature ultra low glare recessed downlights with 1, 2, 5 or 10 cells. In fixed in a flanged or trimless installation kit. Available in 3 color temperatures and 3 beam angles. TRIAC/Phase, 0-10V/1-10V, DMX and DALI/digital dimming.



A2610-CB-TR  
Cut out 272 x 35mm  
(10.71" x 1.38")



A2610-CB-TL  
Cut out 272 x 35mm  
(10.71" x 1.38")

LED Source	LED	LED	LED
CCT	3000K	3000K	3000K
Drive Current	500mA	500mA	500mA
Power inc Driver	18W	18W	18W
Beam Angle	12°	34°	48°
Delivered Lumens	1072	1115	1062
Delivered Intensity cd	8858	3010	1794
Efficacy lm/w	60	62	59
Forward Volt	30V	30V	30V
CRI	≥90 CRI	≥90 CRI	≥90 CRI

Project Ref: \_\_\_\_\_

Location Ref: \_\_\_\_\_

Specify fixture part number (All boxes must be filled in to correctly order)

<b>A2610-CB</b>			<b>BK</b>		
-----------------	--	--	-----------	--	--

- Installation \_\_\_\_\_
- TR** Flange
- TL** Trimless
  
- CCT \_\_\_\_\_
- 27** 2700K
- 30** 3000K
- 40** 4000K
  
- Finish \_\_\_\_\_
- BK** Black
  
- Beam Angles \_\_\_\_\_
- 12** 12
- 34** 34
- 48** 48
  
- Dimming Protocol^ \_\_\_\_\_
- S** Non-Dimmable
- P** TRIAC/Phase (120V ONLY) (25-10% Minimum Dimming)\*\*\*
- LP** Lutron Forward Phase 2-Wire (1% Dimming) (120V ONLY)
- ESS** EcoSystem 5-Series (5% Dimming)
- LHE** EcoSystem Hi-Lume Fade to Black (1% Dimming)
- LAE** Lutron 3-Wire Hi-Lume (1% Dimming)
- LHP** Lutron Hi-Lume Premier EcoSystem (0.1% Dimming)
- A** 0-10V (15-5% Minimum Dimming)\*\*\*
- ESD** EldoLED Solo DALI2 (0.1% Dimming)
- EED** EldoLED Eco DALI2 (1% Dimming)
- ESA** EldoLED Solo 0-10V/1-10V (0.1% Dimming)
- EEA** EldoLED Eco 0-10V/1-10V (1% Dimming)
- B** Bluetooth\*\*

\*Refer to Technical Details for more information

^Not all power supplies are available for single connection, some require series connection with multiple fittings. Consult Lucent Lighting Inc for more information.

### Technical Details

\*Custom color requires a paint chip or RAL code and may increase price and lead-time

It is the responsibility of the specifier/integrator/installer to check and ensure compatibility of any control equipment used. Additional cabling may be required depending on the dimming protocol specified.

\*\*Bluetooth (wireless) is a communication protocol. The exact dimming protocol must be confirmed to allow the selection of suitable drivers or Bluetooth devices.

\*\*\*Non specific driver type, dimming performance depending on exact driver used. Contact Lucent Lighting for more information.

^ Depth indicated is the minimum recess depth for the luminaire with a remote mounted LED driver. Installing a driver through either the luminaire cut-out or installation kit may require additional recess depth, please refer to the relevant installation instructions prior to purchase.

First Fix Requirement. Luminaire comprised of fixture body with ceiling trim and installation kit, which is to be fitted into the ceiling once finished. Ensure correct alignment of the installation kit before final assembly (see luminaire installation instructions for details)

Location. Tested from underside of the ceiling.

Data correct at time of publishing. It is the policy of Lucent Lighting to continually review and improve its products and therefore reserve the right to change any details of product or withdraw specifications without prior notice.

This specification sheet supersedes all previous versions.

All intellectual property rights pertaining to the product described above and to this document are owned by or licensed to Lucent Lighting, Incorporated. Lucent Lighting reserves the right to take whatever action is necessary to protect its intellectual property, patents and trademarks

Please notify Lucent Lighting Inc. inaccuracies. E&OE



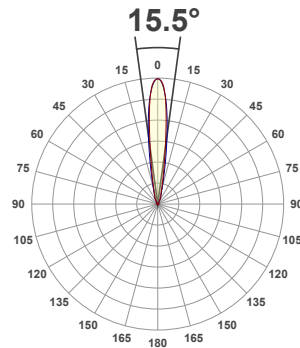
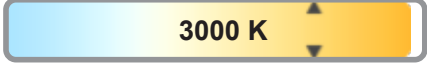
**Light efficiency:**



**Light quality:**



**Color temperature:**



Product name:

**Line 10LED Cube 3000K 12°  
500mA**

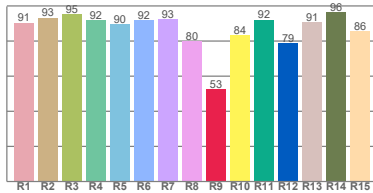
Item number:

**2610-CB-30-12-500mA**

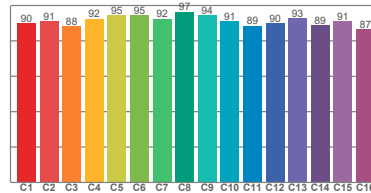
**Delivered information for above  
fixture and LED combination.**

**Output: 1072 Lumen Peak intensity: 8858 cd Power consumption: 18.0**

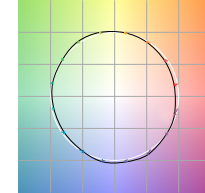
CRI R values



TM30 C Values

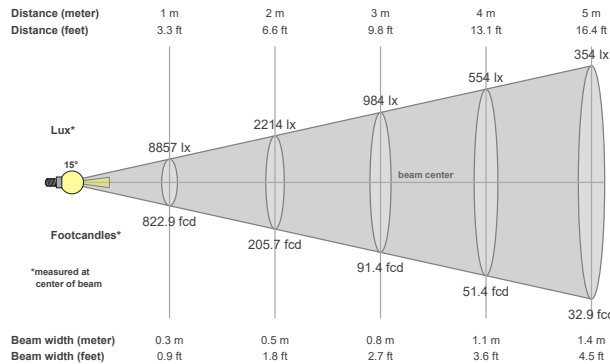


Color vector graphics



Color temperature	Color rendering index	Red component	Color fidelity	Color gamut	Color quality scale	Color coordinate cie 1931	Color coordinate cie 1931	Color coordinate	Color coordinate	Color deviation from black body
CCT	CRI	CRI R9	TM30 Rf	TM30 Rg	CQS	x	y	u	v	Δuv
3000 K	90.7	52.5	91.4	99.2	89.8	0.437	0.404	0.252	0.350	0.0021

**Beam details**



**Beam angles**

Beam angle 50%	Field angle 10%	Cutoff angle 2,5%
15.5°	33.9°	56.9°

**Beam intensities**

Peak intensity	Int. ratio in 120° cone	Int. ratio in 90° cone
8858 cd	99.8%	99.6%

**Beam intensities from 1-20m**

1m	2m	3m	4m	5m	6m	7m	8m	9m	10m	11m	12m	13m	14m	15m	16m	17m	18m	19m	20m
3.3ft	6.6ft	9.8ft	13.1ft	16.4ft	19.7ft	23ft	26.2ft	29.5ft	32.8ft	36.1ft	39.4ft	42.7ft	45.9ft	49.2ft	52.5ft	55.8ft	59.1ft	62.3ft	65.6ft
8857lx	2214lx	984lx	554lx	354lx	246lx	181lx	138lx	109lx	89lx	73lx	62lx	52lx	45lx	39lx	35lx	31lx	27lx	25lx	22lx
822.9fcd	205.7fcd	91.4fcd	51.4fcd	32.9fcd	22.9fcd	16.8fcd	12.9fcd	10.2fcd	8.2fcd	6.8fcd	5.7fcd	4.9fcd	4.2fcd	3.7fcd	3.2fcd	2.8fcd	2.5fcd	2.3fcd	2.1fcd

The above information is for 3000K colour temperature, for specific module information please see LED spec located on our website

For information regarding other colour temperatures please use the following factors for lumen output and candelas:

2700K = 0.82

4000K = 1.11

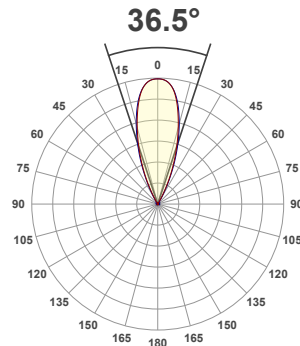
**Light efficiency:**



**Light quality:**



**Color temperature:**



**Product name:**

**Line 10LED Cube 3000K 34°  
500mA**

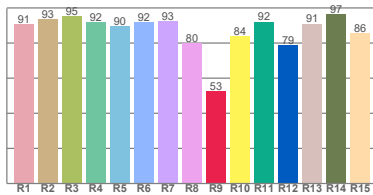
**Item number:**

**2610-CB-30-34-500mA**

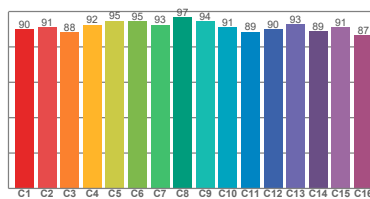
**Delivered information for above fixture and LED combination.**

**Output: 1115 Lumen Peak intensity: 3010 cd Power consumption: 18.0**

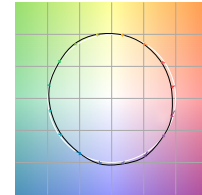
**CRI R values**



**TM30 C Values**

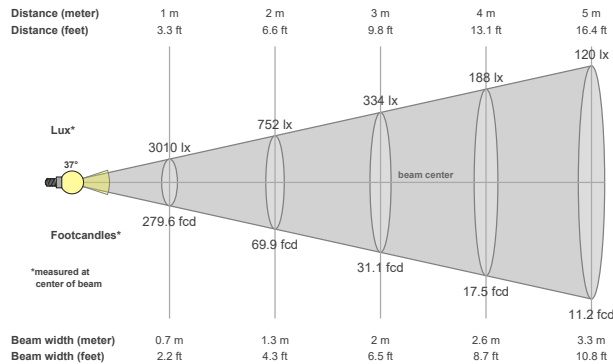


**Color vector graphics**



Color temperature	Color rendering index	Red component	Color fidelity	Color gamut	Color quality scale	Color coordinate cie 1931	Color coordinate cie 1931	Color coordinate	Color coordinate	Color deviation from black body
CCT	CRI	CRI R9	TM30 Rf	TM30 Rg	CQS	x	y	u	v	Δuv
3000 K	90.7	52.6	91.4	99.2	89.8	0.437	0.404	0.251	0.350	0.0019

**Beam details**



**Beam angles**

Beam angle 50%	Field angle 10%	Cutoff angle 2,5%
36.5°	56.1°	63.4°

**Beam intensities**

Peak intensity	Int. ratio in 120° cone	Int. ratio in 90° cone
3010 cd	99.9%	99.7%

**Beam intensities from 1-20m**

1m	2m	3m	4m	5m	6m	7m	8m	9m	10m	11m	12m	13m	14m	15m	16m	17m	18m	19m	20m
3.3ft	6.6ft	9.8ft	13.1ft	16.4ft	19.7ft	23ft	26.2ft	29.5ft	32.8ft	36.1ft	39.4ft	42.7ft	45.9ft	49.2ft	52.5ft	55.8ft	59.1ft	62.3ft	65.6ft
3010lx	752lx	334lx	188lx	120lx	84lx	61lx	47lx	37lx	30lx	25lx	21lx	18lx	15lx	13lx	12lx	10lx	9lx	8lx	8lx
279.6fcd	69.9fcd	31.1fcd	17.5fcd	11.2fcd	7.8fcd	5.7fcd	4.4fcd	3.5fcd	2.8fcd	2.3fcd	1.9fcd	1.7fcd	1.4fcd	1.2fcd	1.1fcd	1fcd	0.9fcd	0.8fcd	0.7fcd

The above information is for 3000K colour temperature, for specific module information please see LED spec located on our website

For information regarding other colour temperatures please use the following factors for lumen output and candelas:

2700K = 0.82

4000K = 1.11

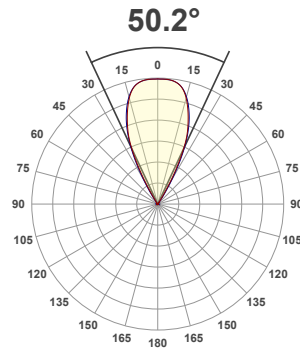
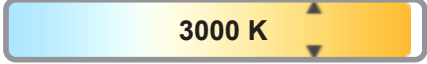
**Light efficiency:**



**Light quality:**



**Color temperature:**



**Product name:**

**Line 10LED Cube 3000K 48°  
500mA**

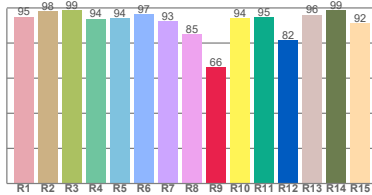
**Item number:**

**2610-CB-30-48-500mA**

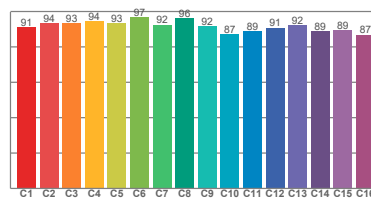
**Delivered information for above fixture and LED combination.**

**Output: 1062 Lumen Peak intensity: 1794 cd Power consumption: 18.0**

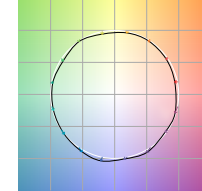
**CRI R values**



**TM30 C Values**

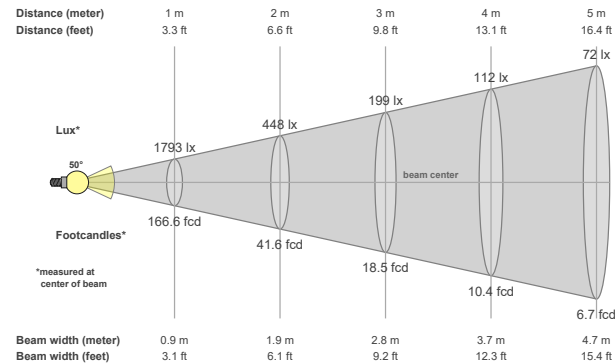


**Color vector graphics**



Color temperature	Color rendering index	Red component	Color fidelity	Color gamut	Color quality scale	Color coordinate cie 1931	Color coordinate cie 1931	Color coordinate	Color coordinate	Color deviation from black body
CCT	CRI	CRI R9	TM30 Rf	TM30 Rg	CQS	x	y	u	v	Δuv
3000 K	94.3	66.4	91.8	98.3	92.0	0.437	0.404	0.246	0.345	-0.0007

**Beam details**



**Beam angles**

Beam angle 50%	Field angle 10%	Cutoff angle 2,5%
50.2°	64.4°	71.4°

**Beam intensities**

Peak intensity	Int. ratio in 120° cone	Int. ratio in 90° cone
1794 cd	99.9%	99.7%

**Beam intensities from 1-20m**

1m	2m	3m	4m	5m	6m	7m	8m	9m	10m	11m	12m	13m	14m	15m	16m	17m	18m	19m	20m
3.3ft	6.6ft	9.8ft	13.1ft	16.4ft	19.7ft	23ft	26.2ft	29.5ft	32.8ft	36.1ft	39.4ft	42.7ft	45.9ft	49.2ft	52.5ft	55.8ft	59.1ft	62.3ft	65.6ft
1793lx	448lx	199lx	112lx	72lx	50lx	37lx	28lx	22lx	18lx	15lx	12lx	11lx	9lx	8lx	7lx	6lx	6lx	5lx	4lx
166.6fcd	41.6fcd	18.5fcd	10.4fcd	6.7fcd	4.6fcd	3.4fcd	2.6fcd	2.1fcd	1.7fcd	1.4fcd	1.2fcd	1fcd	0.8fcd	0.7fcd	0.7fcd	0.6fcd	0.5fcd	0.5fcd	0.4fcd

The above information is for 3000K colour temperature, for specific module information please see LED spec located on our website

For information regarding other colour temperatures please use the following factors for lumen output and candelas:

2700K = 0.82

4000K = 1.11