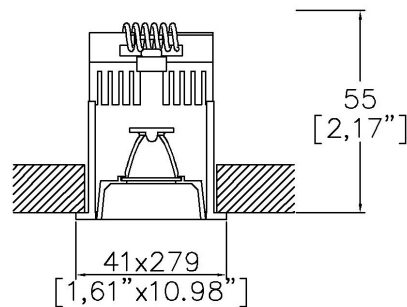


ProSpex Line 10LED Cube



41 x 279mm (1.61" x 10.98") overall dimension. Fully recessed downlight for interior installation with remote driver installation. Family of matching products also available.



2610-FL-TR
Cut out 272 x 35mm

LED Source	LED	LED	LED
CCT	3000K	3000K	3000K
Drive Current	700mA	700mA	700mA
Power inc Driver	26W	26W	26W
Beam Angle	12°	34°	48°
Delivered Lumens	1429	1486	1416
Delivered Intensity cd	11804	4011	2393
Efficacy lm/w	55	57	54
Forward Volt	30V	30V	30V
CRI	≥90 CRI	≥90 CRI	≥90 CRI

Project Ref: _____

Location Ref: _____

Fixture Order Code: 2610-CB-TR - [] - [] - [] - []

Fixture 2610-CB-TR Line 10LED Cubed Baffle Trim

CCT 27 90 CRI 2700K
30 90 CRI 3000K
40 90 CRI 4000K

Finish BK Black*

Beam 12 12°
34 34°
48 48°

Protocol (Remote Driver) S Non-Dim
A Analogue (0-10v)
P Phase
D DALI
B Bluetooth**

Required depth is for the fitting only. If drivers need to be located locally the depth requirement may increase depending on the driver. Please contact Lucent Lighting for more information.

Technical Details

*Other RAL trim finishes upon application

Dimming. Whilst Lucent can offer the majority of its luminaires with various dimming options, it remains the responsibility of the specifier/installer to check and ensure compatibility of any control equipment used.

**Bluetooth (wireless) is the communication method. The exact dimming protocol must be confirmed to allow the selection of suitable drivers or bluetooth devices.

^ Depth indicated is the minimum recess depth for the luminaire with a remote mounted LED driver. Installing a driver through either the luminaire cut-out or installation kit may require additional recess depth, please refer to the relevant luminaire installation instructions for further details.

First Fix Requirement. Luminaire comprised of fixture body with ceiling trim and installation kit, which is to be fitted into the ceiling once finished.

IP Rating. Tested from underside of the ceiling

It is the policy of Lucent Lighting to continually review and improve its products and therefore reserve the right to change any details of product or withdraw specifications without prior notice.

Luminaires designed to comply with EN60598 and all other standards.

This specification sheet superseded all previous versions.

All intellectual property rights pertaining to the product described above and to this document are owned by or licensed to Lucent Lighting Ltd.

We reserve the right to take whatever action is necessary to protect those intellectual property rights.

Please notify Lucent Lighting Ltd of any inaccuracies immediately. E&OE

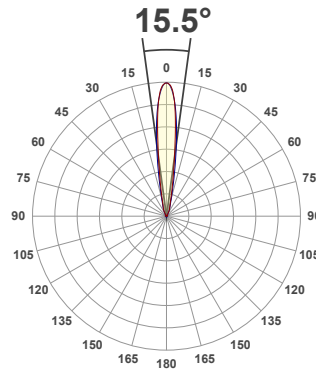
Light efficiency:



Light quality:



Color temperature:



Product name:

Line 10LED Cube, 3000K, 12°, 700mA

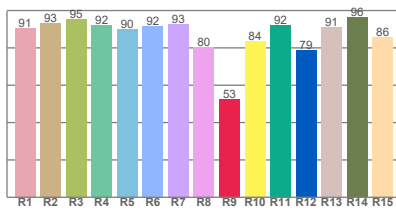
Item number:

2610-CB-30-12-700mA

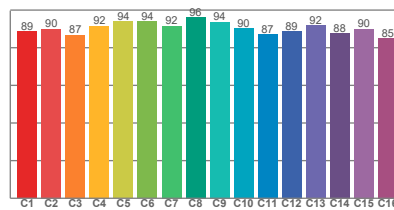
Delivered information for above fixture and LED combination.

Output: 1429 Lumen Peak intensity: 11804 cd Power consumption: 26.0

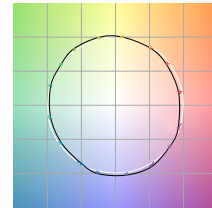
CRI R values



TM30 C Values

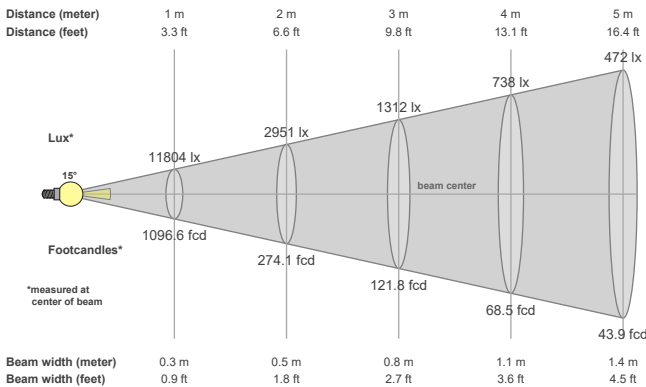


Color vector graphics



Color temperature	Color rendering index	Red component	Color fidelity	Color gamut	Color quality scale	Color coordinate cie 1931	Color coordinate cie 1931	Color coordinate	Color coordinate	Color deviation from black body
CCT	CRI	CRI R9	TM30 Rf	TM30 Rg	CQS	x	y	u	v	Δuv
3000 K	90.7	52.5	90.3	99.2	89.8	0.437	0.404	0.252	0.350	0.0021

Beam details



Beam angels

Beam angle 50%	Field angle 10%	Cutoff angle 2,5%
15.5°	33.9°	56.9°

Beam intensities

Peak intensity	Int. ratio in 120° cone	Int. ratio in 90° cone
11804 cd	99.8%	99.6%

Beam intensities from 1-20m

1m	2m	3m	4m	5m	6m	7m	8m	9m	10m	11m	12m	13m	14m	15m	16m	17m	18m	19m	20m
3.3ft	6.6ft	9.8ft	13.1ft	16.4ft	19.7ft	23ft	26.2ft	29.5ft	32.8ft	36.1ft	39.4ft	42.7ft	45.9ft	49.2ft	52.5ft	55.8ft	59.1ft	62.3ft	65.6ft
11804lx	2951lx	1312lx	738lx	472lx	328lx	241lx	184lx	146lx	118lx	98lx	82lx	70lx	60lx	52lx	46lx	41lx	36lx	33lx	30lx
1096.6fcd	274.1fcd	121.8fcd	68.5fcd	43.9fcd	30.5fcd	22.4fcd	17.1fcd	13.5fcd	11fcd	9.1fcd	7.6fcd	6.5fcd	5.6fcd	4.9fcd	4.3fcd	3.8fcd	3.4fcd	3fcd	2.7fcd

The above information is for 3000K colour temperature, for specific module information please see LED spec located on our website

For information regarding other colour temperatures please use the following factors for lumen output and candelas:

2700K = 0.82

4000K = 1.11

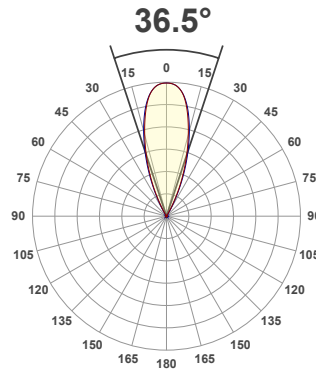
Light efficiency:



Light quality:



Color temperature:



Product name:

Line 10LED Cube, 3000K, 34°, 700mA

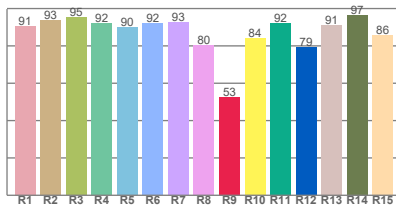
Item number:

2610-CB-30-34-700mA

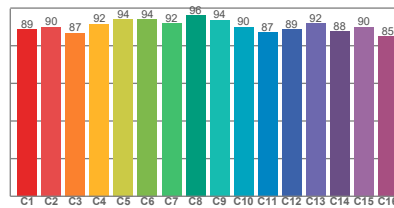
Delivered information for above fixture and LED combination.

Output: 1486 Lumen Peak intensity: 4011 cd Power consumption: 26.0

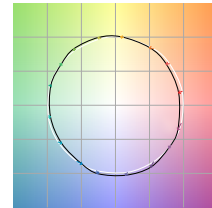
CRI R values



TM30 C Values

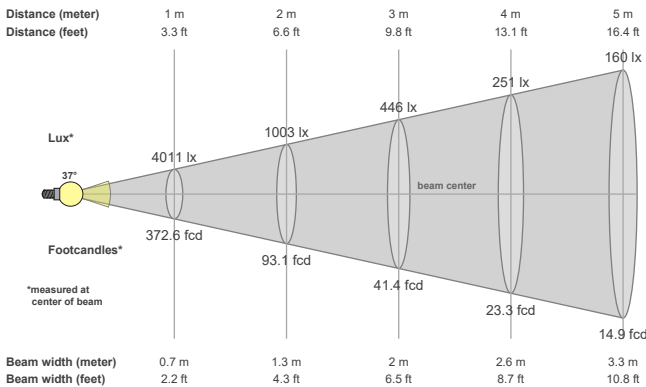


Color vector graphics



Color temperature	Color rendering index	Red component	Color fidelity	Color gamut	Color quality scale	Color coordinate cie 1931	Color coordinate cie 1931	Color coordinate	Color coordinate	Color deviation from black body
CCT	CRI	CRI R9	TM30 Rf	TM30 Rg	CQS	x	y	u	v	Δuv
3000 K	90.7	52.6	90.3	99.2	89.8	0.437	0.404	0.251	0.350	0.0019

Beam details



Beam angles

Beam angle 50%	Field angle 10%	Cutoff angle 2,5%
36.5°	56.1°	63.4°

Beam intensities

Peak intensity	Int. ratio in 120° cone	Int. ratio in 90° cone
4011 cd	99.9%	99.7%

Beam intensities from 1-20m

1m	2m	3m	4m	5m	6m	7m	8m	9m	10m	11m	12m	13m	14m	15m	16m	17m	18m	19m	20m
3.3ft	6.6ft	9.8ft	13.1ft	16.4ft	19.7ft	23ft	26.2ft	29.5ft	32.8ft	36.1ft	39.4ft	42.7ft	45.9ft	49.2ft	52.5ft	55.8ft	59.1ft	62.3ft	65.6ft
4011lx	1003lx	446lx	251lx	160lx	111lx	82lx	63lx	50lx	40lx	33lx	28lx	24lx	20lx	18lx	16lx	14lx	12lx	11lx	10lx
372.6fcd	93.1fcd	41.4fcd	23.3fcd	14.9fcd	10.3fcd	7.6fcd	5.8fcd	4.6fcd	3.7fcd	3.1fcd	2.6fcd	2.2fcd	1.9fcd	1.7fcd	1.5fcd	1.3fcd	1.1fcd	1fcd	0.9fcd

The above information is for 3000K colour temperature, for specific module information please see LED spec located on our website

For information regarding other colour temperatures please use the following factors for lumen output and candelas:

2700K = 0.82

4000K = 1.11

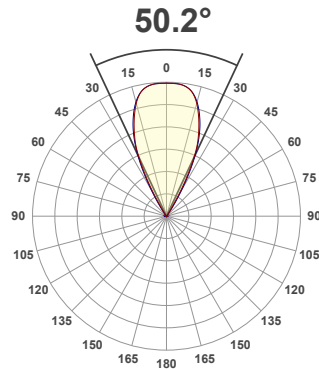
Light efficiency:



Light quality:



Color temperature:



Product name:

Line 10LED Cube, 3000K, 48°, 700mA

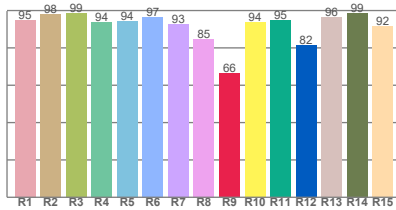
Item number:

2610-CB-30-48-700mA

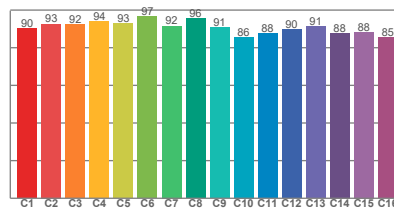
Delivered information for above fixture and LED combination.

Output: 1416 Lumen Peak intensity: 2393 cd Power consumption: 26.0

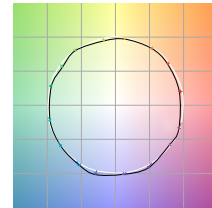
CRI R values



TM30 C Values

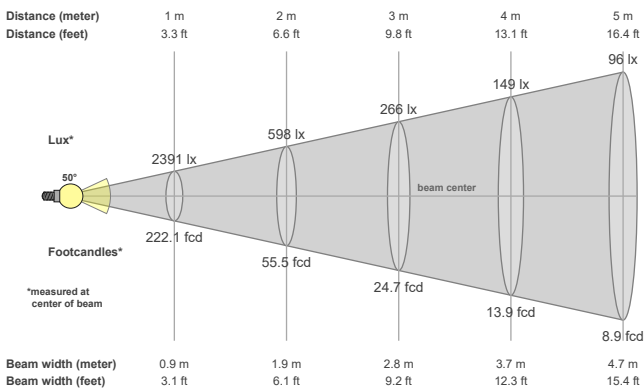


Color vector graphics



Color temperature	Color rendering index	Red component	Color fidelity	Color gamut	Color quality scale	Color coordinate cie 1931	Color coordinate cie 1931	Color coordinate	Color coordinate	Color deviation from black body
CCT	CRI	CRI R9	TM30 Rf	TM30 Rg	CQS	x	y	u	v	Δuv
3000 K	94.3	66.4	90.8	98.3	92.0	0.437	0.404	0.246	0.345	-0.0007

Beam details



Beam angles

Beam angle 50%	Field angle 10%	Cutoff angle 2,5%
50.2°	64.4°	71.4°

Beam intensities

Peak intensity	Int. ratio in 120° cone	Int. ratio in 90° cone
2393 cd	99.9%	99.7%

Beam intensities from 1-20m

1m	2m	3m	4m	5m	6m	7m	8m	9m	10m	11m	12m	13m	14m	15m	16m	17m	18m	19m	20m
3.3ft	6.6ft	9.8ft	13.1ft	16.4ft	19.7ft	23ft	26.2ft	29.5ft	32.8ft	36.1ft	39.4ft	42.7ft	45.9ft	49.2ft	52.5ft	55.8ft	59.1ft	62.3ft	65.6ft
2391lx	598lx	266lx	149lx	96lx	66lx	49lx	37lx	30lx	24lx	20lx	17lx	14lx	12lx	11lx	9lx	8lx	7lx	7lx	6lx
222.1fcd	55.5fcd	24.7fcd	13.9fcd	8.9fcd	6.2fcd	4.5fcd	3.5fcd	2.7fcd	2.2fcd	1.8fcd	1.5fcd	1.3fcd	1.1fcd	1fcd	0.9fcd	0.8fcd	0.7fcd	0.6fcd	0.6fcd

The above information is for 3000K colour temperature, for specific module information please see LED spec located on our website

For information regarding other colour temperatures please use the following factors for lumen output and candelas:

2700K = 0.82

4000K = 1.11