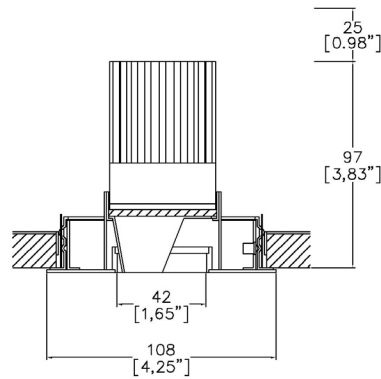


Edge4.25 Washlight



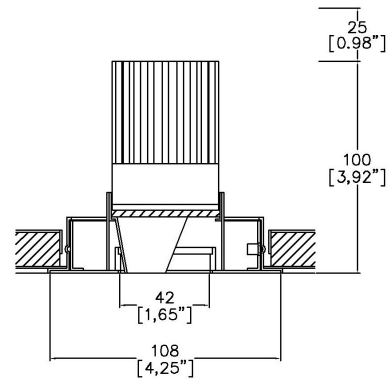
Edge4.25 provides high performance electronics and architectural aesthetics in 4.25" trim with a 1.65" aperture. Edge products include adjustable, fixed, washlight and wall wash in a flanged or trimless installation kit. Tray, retrofit and housing installation methods (NIC, IC, AT, T24 and CCEA) Multiple configurations for equal spacing also available. Lucent modules available in a wide range of color temperatures, beam angles, intensities, and effects (Ambiance WarmDim and Dynamic Tuneable White). MR16 and GU10 LED lamp options available. TRIAC/Phase, 0-10v/1-10v, DMX and DALI/Digital dimming.



A31413-WL-LED + 3000-PBZ
Cut-out 103mm (4.00") Ø



**Installation kit for overlap flange
3000-PBZ**



A31413-WL-LED + 3000-PCZ
Cut-out 98mm (3.85") Ø



**Mud-in kit for seamless/trimless
3000-PCZ**

| | | |
|------------------------|---------|---------|
| LED Source | LED51/2 | LED51/U |
| CCT | 3000K | 3000K |
| Drive Current | 350mA | 350mA |
| Power inc Driver | 13.6W | 13.6W |
| Beam Angle | 38° | 38° |
| Delivered Lumens | 583 | 545 |
| Delivered Intensity cd | 1178 | 794 |
| Efficacy lm/w | 43 | 40 |
| Forward Volt | 33V | 33V |
| CRI | ≥90 CRI | ≥98 CRI |

Project Ref: _____

Location Ref: _____

Specify fixture part number (All boxes must be filled in to correctly order)

| | | | | | | | | | | | | | |
|---------------|--|--|--|--|--|--|----|--|--|--|--|--|--|
| A31413-WL-LED | | | | | | | 38 | | | | | | |
|---------------|--|--|--|--|--|--|----|--|--|--|--|--|--|

Finish

- WH White
- BK Black

Location

- XX Damp as standard
- WT Wet

Installation

- PB 3000-PBZ Flange kit
- PC 3000-PCZ Mud-in kit

Ceiling Thickness

- SC Standard Ceiling (1/2"-5/8"-3/4")
- C Custom

LED Type

- LED51/2 LED51/2 (90CRI)
- LED51/U LED51/U (98CRI)

CCT

- 27 2700K
- 30 3000K
- 35 3500K
- 40 4000K (90 CRI ONLY)

Beam Angles

- 38 38

Housing/Tray

- LMT-13-NIC Mounting Tray Non-Insulated ceilings
- LH-6.75-NIC Housing 6.75" Non-Insulated ceilings
- LH-8.50-AT/IC Housing 8.50" Insulated/Air-tight ceilings and Chicago Plenum

Mounting Hardware

- 09 9" to 15.25" - Adjustable Bar Hanger Lengths
- 14 14" to 24" - Adjustable Bar Hanger Lengths
- 36 28" to 36" - Adjustable Bar Hanger Lengths
- BB Butterfly Bracket
- CB Caterpillar Bracket

Supply Voltage

- 120 120V
- 277 277V

Dimming Protocol

- S Non-Dimmable
- P TRIAC/Phase (120V ONLY) (25-10% Minimum Dimming)***
- AWN Athena wireless RF node****
- LHE EcoSystem Hi-Lume Fade to Black (1% Dimming)
- LAE Lutron 3-Wire Hi-Lume (1% Dimming)
- LHP Lutron Hi-Lume Premier EcoSystem (0.1% Dimming)
- A 0-10V (15-5% Minimum Dimming)***
- ESD EldoLED Solo DALI2 (0.1% Dimming)
- EED EldoLED Eco DALI2 (1% Dimming)
- ESA EldoLED Solo 0-10V/1-10V (0.1% Dimming)
- EEA EldoLED Eco 0-10V/1-10V (1% Dimming)
- B Bluetooth**

- Emergency**
- E 1.5h Emergency
 - ES 1.5h Self test

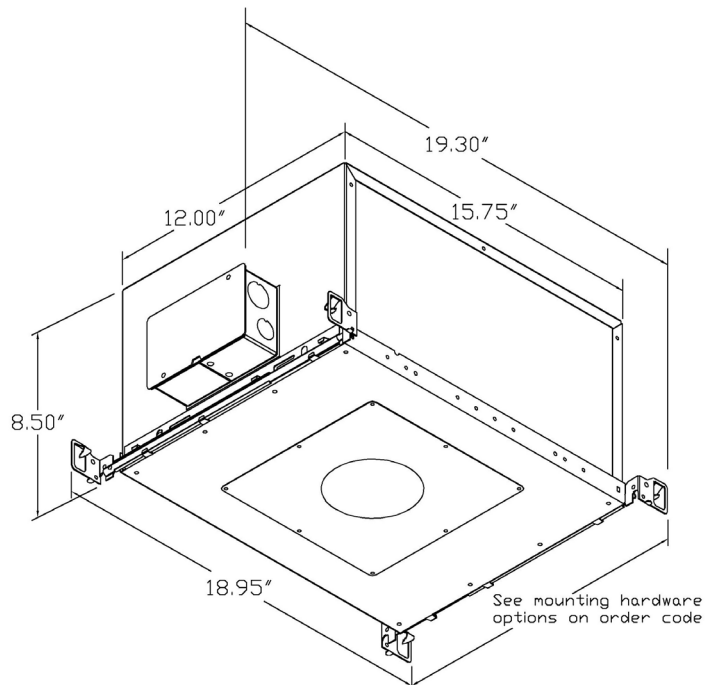
- Louvre/Lens**
- XX Not required
 - LL45 Honeycomb
 - LLCC Warm Tone
 - LLUV UV

*Refer to Technical Details for more information

Housing dimensions



LH-6.75
Non-insulated ceilings

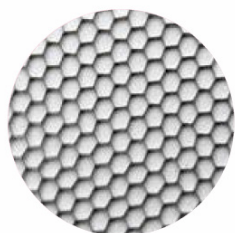


LH-8.50
Insulated/air-tight ceilings and
Chicago Plenum

Tray dimensions



LMT-13
Non-insulated ceilings

**Honeycomb Louvre (LL45)****Warm Tone (LLCC)**

Technical Details

*Custom color requires a paint chip or RAL code and may increase price and lead-time

It is the responsibility of the specifier/integrator/installer to check and ensure compatibility of any control equipment used. Additional cabling may be required depending on the dimming protocol specified.

**DALI Type 6 requires two DALI addresses, one for CCT control the other for intensity control. DALI Type 8 is a single DALI Type 8 address for CCT and intensity control. Please check which control system is being used before specifying.

**** Available for integration with Lutron Athena Control systems. Please contact Lucent Lighting Inc./Lutron factory for further details.

^ Depth indicated is the minimum recess depth for the luminaire with a remote mounted LED driver. Installing a driver through either the luminaire cut-out or installation kit may require additional recess depth, please refer to the relevant installation instructions prior to purchase.

First Fix Requirement. Luminaire comprised of fixture body with ceiling trim and installation kit, which is to be fitted into the ceiling once finished. Ensure correct alignment of the installation kit before final assembly (see luminaire installation instructions for details)

Location. Tested from underside of the ceiling.

Data correct at time of publishing. It is the policy of Lucent Lighting to continually review and improve its products and therefore reserve the right to change any details of product or withdraw specifications without prior notice.

This specification sheet supersedes all previous versions.

All intellectual property rights pertaining to the product described above and to this document are owned by or licensed to Lucent Lighting, Incorporated. Lucent Lighting reserves the right to take whatever action is necessary to protect its intellectual property, patents and trademarks

Please notify Lucent Lighting Inc. inaccuracies. E&OE



Light efficiency:

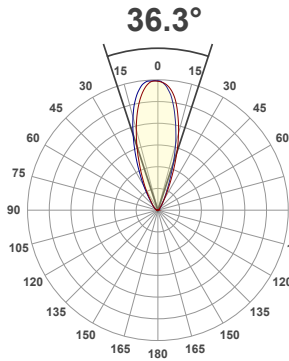
43 Lumen/Watt

Light quality:

CRI: 91.3

Color temperature:

3000 K



Product name:

**Edge4.25 Washlight -
LED50 ONE GEN2, 3000K, 38°,
350mA**

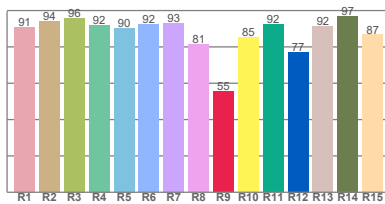
Item number:

**A31413-WL -
LED51/2-30-38-350mA**

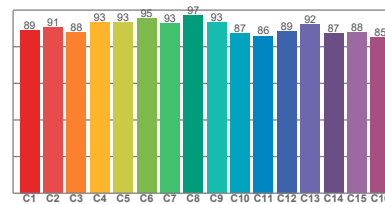
**Delivered information for above
fixture and LED combination.**

Output: 583 Lumen Peak intensity: 1178 cd Power consumption: 13.6

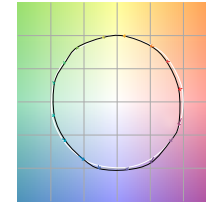
CRI R values



TM30 C Values

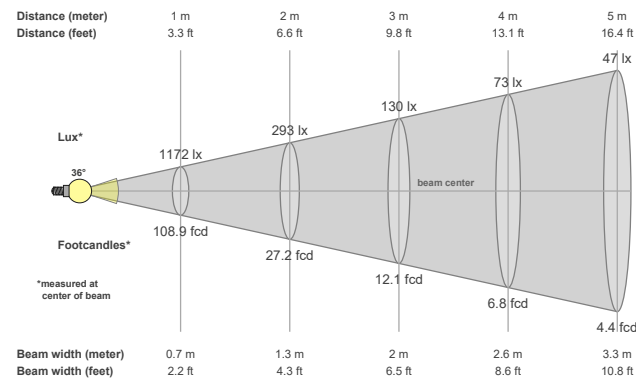


Color vector graphics



| Color temperature | Color rendering index | Red component | Color fidelity | Color gamut | Color quality scale | Color coordinate cie 1931 | Color coordinate cie 1931 | Color coordinate | Color coordinate | Color deviation from black body |
|-------------------|-----------------------|---------------|----------------|-------------|---------------------|---------------------------|---------------------------|------------------|------------------|---------------------------------|
| CCT | CRI | CRI R9 | TM30 Rf | TM30 Rg | CQS | x | y | u | v | Δuv |
| 3000 K | 91.3 | 55.3 | 90.4 | 98.9 | 90.2 | 0.437 | 0.404 | 0.249 | 0.349 | 0.0018 |

Beam details



Beam angles

| Beam angle 50% | Field angle 10% | Cutoff angle 2,5% |
|----------------|-----------------|-------------------|
| 36.3° | 66.4° | 104.1° |

Beam intensities

| Peak intensity | Int. ratio in 120° cone | Int. ratio in 90° cone |
|----------------|-------------------------|------------------------|
| 1178 cd | 96.7% | 90.3% |

Beam intensities from 1-20m

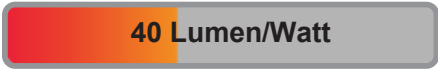
| 1m | 2m | 3m | 4m | 5m | 6m | 7m | 8m | 9m | 10m | 11m | 12m | 13m | 14m | 15m | 16m | 17m | 18m | 19m | 20m |
|----------|---------|---------|--------|--------|--------|--------|--------|--------|--------|--------|--------|--------|--------|--------|--------|--------|--------|--------|--------|
| 3.3ft | 6.6ft | 9.8ft | 13.1ft | 16.4ft | 19.7ft | 23ft | 26.2ft | 29.5ft | 32.8ft | 36.1ft | 39.4ft | 42.7ft | 45.9ft | 49.2ft | 52.5ft | 55.8ft | 59.1ft | 62.3ft | 65.6ft |
| 1172lx | 293lx | 130lx | 73lx | 47lx | 33lx | 24lx | 18lx | 14lx | 12lx | 10lx | 8lx | 7lx | 6lx | 5lx | 5lx | 4lx | 4lx | 3lx | 3lx |
| 108.9fcd | 27.2fcd | 12.1fcd | 6.8fcd | 4.4fcd | 3fcd | 2.2fcd | 1.7fcd | 1.3fcd | 1.1fcd | 0.9fcd | 0.8fcd | 0.6fcd | 0.6fcd | 0.5fcd | 0.4fcd | 0.4fcd | 0.3fcd | 0.3fcd | 0.3fcd |

The above information is for 3000K colour temperature, for specific module information please see LED spec located on our website

For information regarding other colour temperatures please use the following factors for lumen output and candelas:

2700K = 1
4000K = 1.084

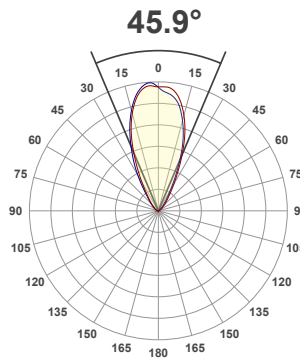
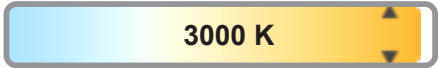
Light efficiency:



Light quality:



Color temperature:



Product name:

A31413-WL-LED - LED51_U-30-38-350mA

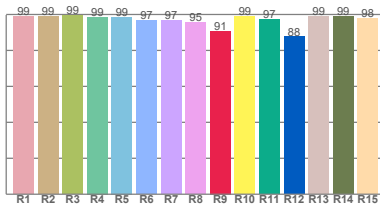
Item number:

Edge4.25 Washlight - LED51_U-30-38-350mA

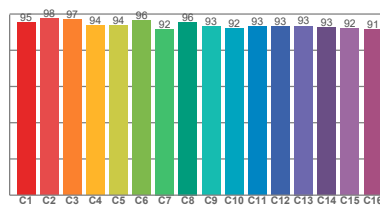
Delivered information for above fixture and LED combination.

Output: 545 Lumen Peak intensity: 794 cd Power consumption: 13.6

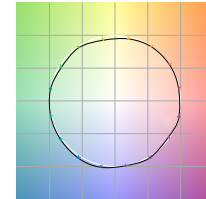
CRI R values



TM30 C Values

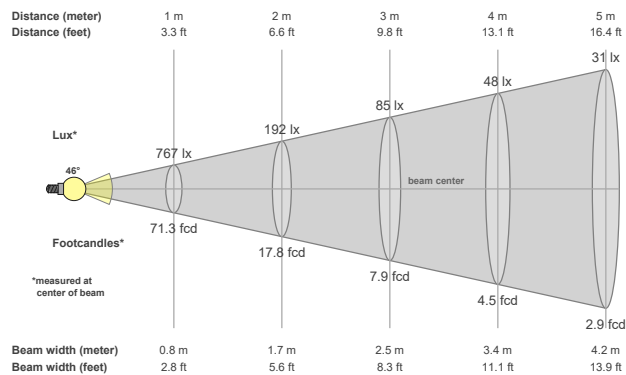


Color vector graphics



| Color temperature | Color rendering index | Red component | Color fidelity | Color gamut | Color quality scale | Color coordinate cie 1931 | Color coordinate cie 1931 | Color coordinate | Color coordinate | Color deviation from black body |
|-------------------|-----------------------|---------------|----------------|-------------|---------------------|---------------------------|---------------------------|------------------|------------------|---------------------------------|
| CCT | CRI | CRI R9 | TM30 Rf | TM30 Rg | CQS | x | y | u | v | Δuv |
| 3000 K | 97.9 | 90.8 | 94.0 | 98.9 | 95.6 | 0.437 | 0.404 | 0.249 | 0.347 | 0.0004 |

Beam details



Beam angles

| Beam angle 50% | Field angle 10% | Cutoff angle 2,5% |
|----------------|-----------------|-------------------|
| 45.9° | 79° | 114.6° |

Beam intensities

| Peak intensity | Int. ratio in 120° cone | Int. ratio in 90° cone |
|----------------|-------------------------|------------------------|
| 794 cd | 96.6% | 90.2% |

Beam intensities from 1-20m

| 1m | 2m | 3m | 4m | 5m | 6m | 7m | 8m | 9m | 10m | 11m | 12m | 13m | 14m | 15m | 16m | 17m | 18m | 19m | 20m |
|---------|---------|--------|--------|--------|--------|--------|--------|--------|--------|--------|--------|--------|--------|--------|--------|--------|--------|--------|--------|
| 3.3ft | 6.6ft | 9.8ft | 13.1ft | 16.4ft | 19.7ft | 23ft | 26.2ft | 29.5ft | 32.8ft | 36.1ft | 39.4ft | 42.7ft | 45.9ft | 49.2ft | 52.5ft | 55.8ft | 59.1ft | 62.3ft | 65.6ft |
| 767lx | 192lx | 85lx | 48lx | 31lx | 21lx | 16lx | 12lx | 9lx | 8lx | 6lx | 5lx | 5lx | 4lx | 3lx | 3lx | 3lx | 2lx | 2lx | 2lx |
| 71.3fcd | 17.8fcd | 7.9fcd | 4.5fcd | 2.9fcd | 2fcd | 1.5fcd | 1.1fcd | 0.9fcd | 0.7fcd | 0.6fcd | 0.5fcd | 0.4fcd | 0.4fcd | 0.3fcd | 0.3fcd | 0.2fcd | 0.2fcd | 0.2fcd | 0.2fcd |

The above information is for 3000K colour temperature, for specific module information please see LED spec located on our website

For information regarding other colour temperatures please use the following factors for lumen output and candelas:

$2700K = 1$