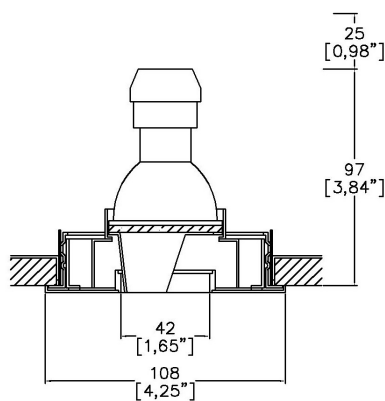


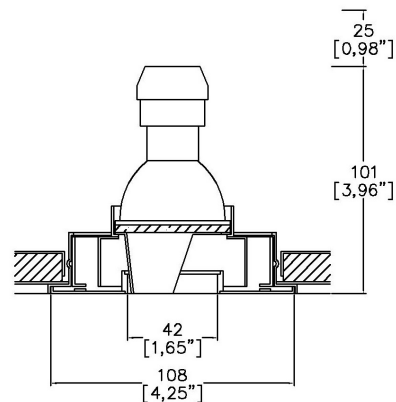
ProSpex Edge4.25 Washlight



108mm (4.25") overall diameter. Edge baffle to ensure aperture is glare free and for a professional look. Available with standard trim kit or mud-in kit for flush appearance. Family of matching products also available. Required depth height + 25mm ^



A31413-WL-GU + 3000-PBZ
Cut-out 103mm (4.00") Ø



A31413-WL-GU + 3000-PCZ
Cut-out 98mm (3.85") Ø

Light Source	GU10 Halogen GU10 LED
Max Power	50W (Halogen)
Lamp Base	GU10
Voltage	120v 50/60Hz
Insulation Class	I

Project Ref: _____

Location Ref: _____

Fixture Order Code: - - -

Fixture
A31413-WL-GU Edge4.25 Washlight with GU10

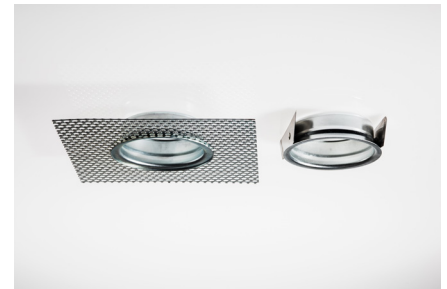
Finish
WH White (RAL 9010)
BK Black (RAL 9005)
RAL Custom RAL Colour*

Ceiling Thickness
12 1/2"
58 5/8"
75 3/4"
C Custom

Location
DP Damp
WT Wet
XX Standard Location

Installation Order Code:

Installation
3000-PBZ Trim kit for trimmed appearance
3000-PCZ Mud-kit for seamless flush appearance





Honeycomb Louvre



Warm Tone

Accessories Order Code:

Louvre/Lens

- LL45 Honeycomb Louvre
- LLCC Warm Tone Lens
- LLUV UV Lens

Technical Details

*Custom RAL code must be specified. Custom RAL colours can increase prices and lead times

Dimming. Whilst Lucent can offer the majority of its luminaires with various dimming options, it remains the responsibility of the specifier/installer to check and ensure compatibility of any control equipment used. Additional cabling may be required depending on the dimming protocol specified.

**Bluetooth (wireless) is the communication method. The exact dimming protocol must be confirmed to allow the selection of suitable drivers or bluetooth devices.

^ Depth indicated may vary depending on lamp type used

First Fix Requirement. Luminaire comprised of fixture body with ceiling trim and installation kit, which is to be fitted into the ceiling once finished. Ensure correct alignment of the installation kit before final assembly (see luminaire installation instructions for details)

IP Rating. Tested from underside of the ceiling

It is the policy of Lucent Lighting to continually review and improve its products and therefore reserve the right to change any details of product or withdraw specifications without prior notice.

Luminaires designed to comply with EN60598 and all other standards.

This specification sheet supersedes all previous versions.

All intellectual property rights pertaining to the product described above and to this document are owned by or licensed to Lucent Lighting Ltd.

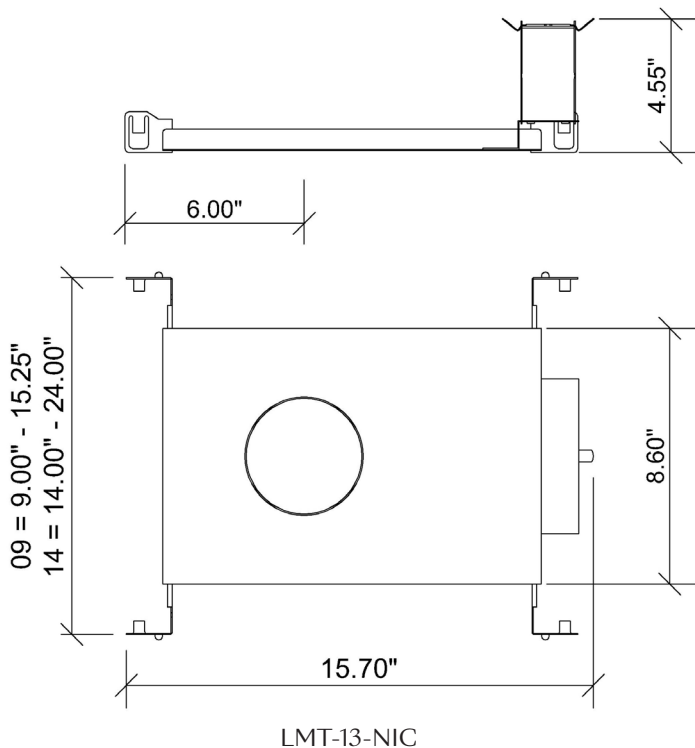
We reserve the right to take whatever action is necessary to protect those intellectual property rights.

Please notify Lucent Lighting Ltd of any inaccuracies immediately. E&OE



Project Ref: _____

Location Ref: _____



Tray Order Code:



Housing Type

LMT-13-NIC Lucent Mounting Tray, Non-Insulated Ceiling

Mounting Hardware

- 09 9" to 15.25"
- 14 14" to 24"
- 36 28" to 36"
- BB Butterfly Bracket
- CB Caterpillar Bracket

Lamp

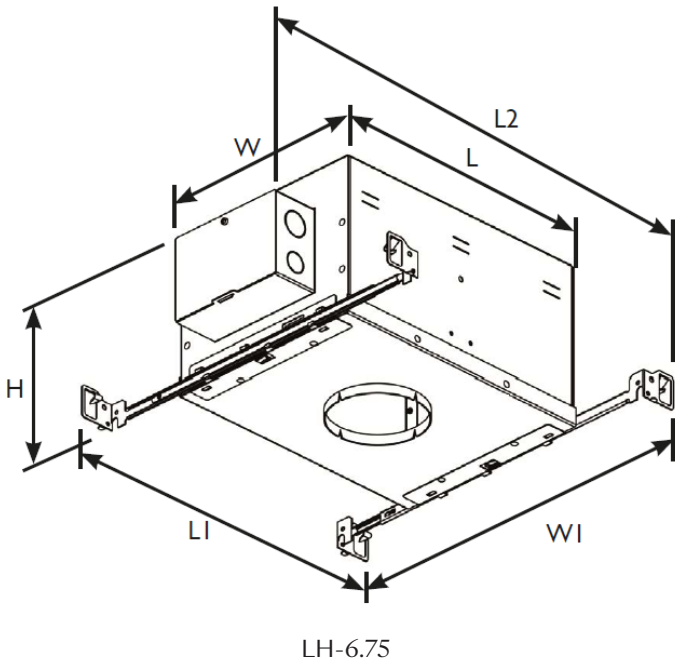
GU GU10

Supply Voltage

120 120V

Project Ref: _____

Location Ref: _____



Housing Dimensions					
H	L	L1	L2	W	W1
6.75"	11.75"	14.95"	15.35"	8.75"	14" to 24"

Tray Order Code:

LH-6.75 - NIC - [] - GU - 120

Housing Type
LH-6.75 Lucent Housing 6.75"

Housing Type
NIC Non-Insulated Ceiling

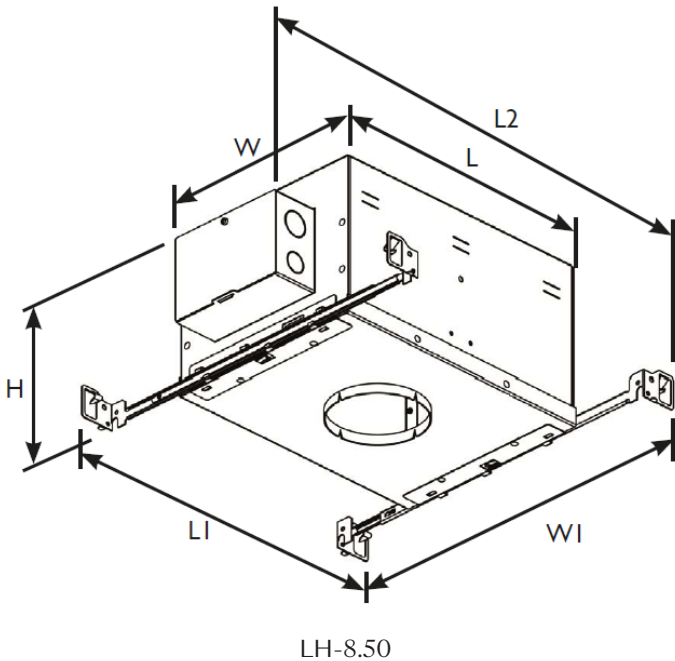
Mounting Hardware
09 9" to 15.25"
14 14" to 24"
36 28" to 36"
BB Butterfly Bracket
CB Caterpillar Bracket

Lamp
GU GU10

Supply Voltage
120 120V

Project Ref: _____

Location Ref: _____



Housing Dimensions					
H	L	L1	L2	W	W1
8.50"	15.75"	18.95"	19.30"	12.00"	14" to 24"

Tray Order Code:

LH-8.50 - [] - [] - GU - 120

- Housing Type
LH-8.50 Lucent Housing 8.50"
- Housing Type
NIC Non-Insulated Ceiling
IC Insulated Ceiling
AT Airtight Ceiling, CCEA
- Mounting Hardware
09 9" to 15.25"
14 14" to 24"
36 28" to 36"
BB Butterfly Bracket
CB Caterpillar Bracket
- Lamp
GU GU10
- Supply Voltage
120 120V