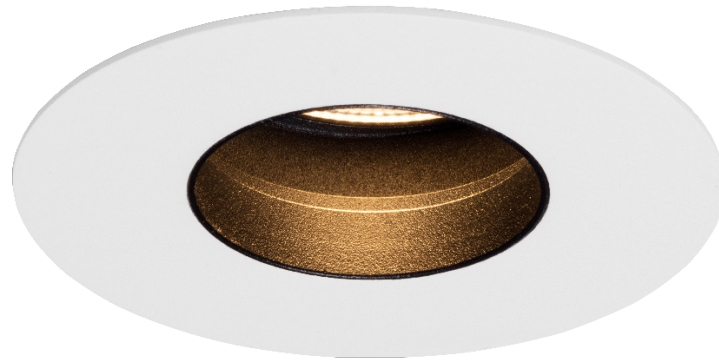
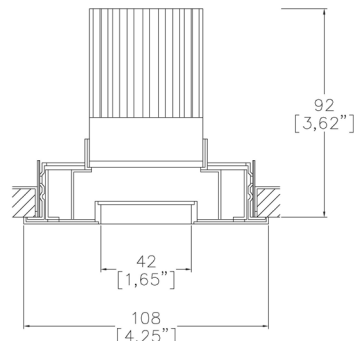


# Edge4.25 Fixed



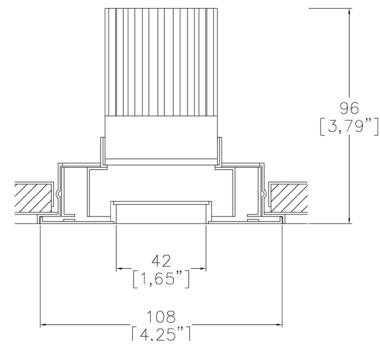
Edge4.25 provides high performance electronics and architectural aesthetics in 4.25" trim with a 1.65" aperture. Edge products include adjustable, fixed, washlight and wall wash in a flanged or trimless installation kit. Tray, retrofit and housing installation methods (NIC, IC, AT, T24 and CCEA) Multiple configurations for equal spacing also available. Lucent modules available in a wide range of color temperatures, beam angles, intensities, and effects (Ambiance WarmDim and Dynamic Tuneable White). MR16 and GU10 LED lamp options available. TRIAC/Phase, 0-10v/1-10v, DMX and DALI/Digital dimming.



A31413-F-LED + 3000-PBZ  
Cut-out 103mm (4.00") Ø



**Installation kit for overlap flange  
3000-PBZ**



A31413-F-LED + 3000-PCZ  
Cut-out 98mm (3.85") Ø



**Mud-in kit for seamless/trimless  
3000-PCZ**

LED Source	LED51SS
CCT	3000K
Drive Current	500mA
Power inc Driver	6.75W
Beam Angle	7°
Delivered Lumens	456
Delivered Intensity cd	18626
Efficacy lm/w	68
Forward Volt	11.5V
CRI	≥90 CRI

Project Ref: \_\_\_\_\_

Location Ref: \_\_\_\_\_

Specify fixture part number (All boxes must be filled in to correctly order)

<b>A31413-F-LED</b>					<b>LED5ISS</b>		<b>7</b>							
---------------------	--	--	--	--	----------------	--	----------	--	--	--	--	--	--	--

Finish  
**WH** White  
**BK** Black

Location  
**XX** Dry  
**DP** Damp  
**WT** Wet

Installation  
**PB** 3000-PBZ Flange kit  
**PC** 3000-PCZ Mud-in kit

Ceiling Thickness  
**SC** Standard Ceiling (1/2"-5/8"-3/4")  
**C** Custom

LED Type  
**LED5ISS** LED5ISS (90CRI)

CCT  
**27** 2700K  
**30** 3000K  
**35** 3500K  
**40** 4000K

Beam Angles  
**7** 7

Housing/Tray  
**LMT-13-NIC** Mounting Tray Non-Insulated ceilings  
**LH-6.75-NIC** Housing 6.75" Non-Insulated ceilings  
**LH-8.50-AT/IC** Housing 8.50" Insulated/Air-tight ceilings and Chicago Plenum

Mounting Hardware  
**09** 9" to 15.25" - Adjustable Bar Hanger Lengths  
**14** 14" to 24" - Adjustable Bar Hanger Lengths  
**36** 28" to 36" - Adjustable Bar Hanger Lengths  
**BB** Butterfly Bracket  
**CB** Caterpillar Bracket

Supply Voltage  
**120** 120V  
**277** 277V

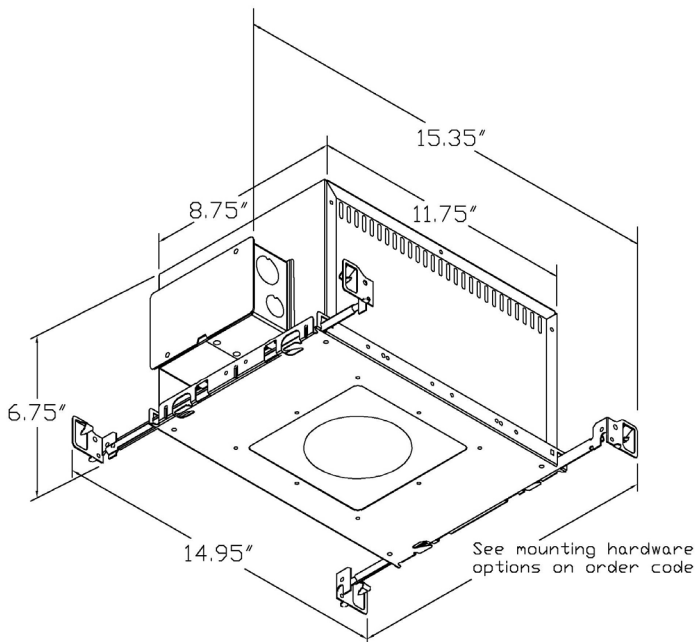
Dimming Protocol  
**S** Non-Dimmable  
**P** TRIAC/Phase (120V ONLY) (25-10% Minimum Dimming)\*\*\*  
**AWN** Athena wireless RF node\*\*\*\*  
**LHE** EcoSystem Hi-Lume Fade to Black (1% Dimming)  
**LAE** Lutron 3-Wire Hi-Lume (1% Dimming)  
**LHP** Lutron Hi-Lume Premier EcoSystem (0.1% Dimming)  
**A** 0-10V (15-5% Minimum Dimming)\*\*\*  
**ESD** EldoLED Solo DALI2 (0.1% Dimming)  
**EED** EldoLED Eco DALI2 (1% Dimming)  
**ESA** EldoLED Solo 0-10V/1-10V (0.1% Dimming)  
**EEA** EldoLED Eco 0-10V/1-10V (1% Dimming)  
**B** Bluetooth\*\*

Emergency  
**E** 1.5h Emergency  
**ES** 1.5h Self test

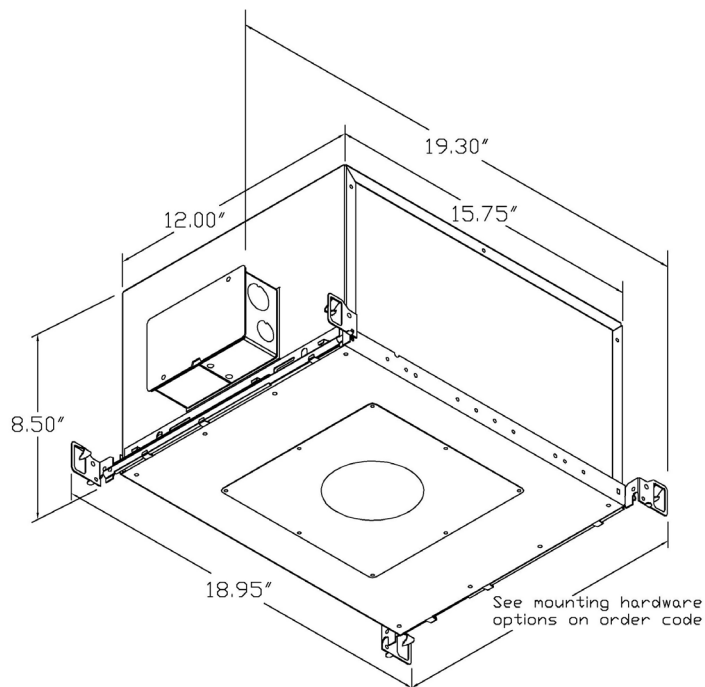
Louvre/Lens  
**XX** Not required  
**LL45** Honeycomb  
**LLCC** Warm Tone  
**LLUV** UV  
**LLDF** Solite/Diffusing  
**LLFR** Frosted Lens  
**LLLS** Linear Spread  
**LLHS** Heavy Spread

\*Refer to Technical Details for more information

## Housing dimensions

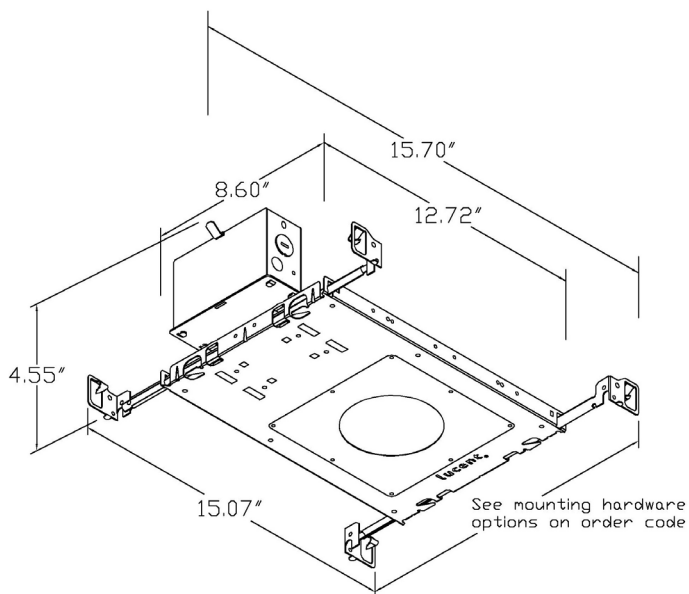


LH-6.75  
Non-insulated ceilings

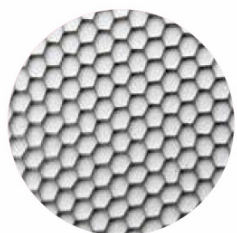


LH-8.50  
Insulated/air-tight ceilings and  
Chicago Plenum

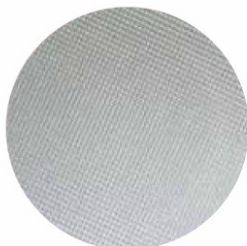
## Tray dimensions



LMT-13  
Non-insulated ceilings



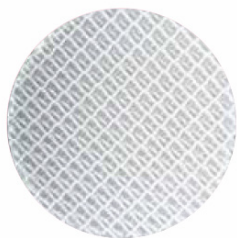
**Honeycomb Louvre (LL45)**



**Solite/Diffusing Lens (LLDF)**



**Frosted Lens (LLFR)**



**Heavy Spread Lens (LLHS)**



**Linear Spread Lens (LLLS)**



**Warm Tone (LLCC)**

---

## Technical Details

\*Custom color requires a paint chip or RAL code and may increase price and lead-time

It is the responsibility of the specifier/integrator/installer to check and ensure compatibility of any control equipment used. Additional cabling may be required depending on the dimming protocol specified.

\*\*DALI Type 6 requires two DALI addresses, one for CCT control the other for intensity control. DALI Type 8 is a single DALI Type 8 address for CCT and intensity control. Please check which control system is being used before specifying.

\*\*\*\* Available for integration with Lutron Athena Control systems. Please contact Lucent Lighting Inc./Lutron factory for further details.

^ Depth indicated is the minimum recess depth for the luminaire with a remote mounted LED driver. Installing a driver through either the luminaire cut-out or installation kit may require additional recess depth, please refer to the relevant installation instructions prior to purchase.

First Fix Requirement. Luminaire comprised of fixture body with ceiling trim and installation kit, which is to be fitted into the ceiling once finished. Ensure correct alignment of the installation kit before final assembly (see luminaire installation instructions for details)

Location. Tested from underside of the ceiling.

Data correct at time of publishing. It is the policy of Lucent Lighting to continually review and improve its products and therefore reserve the right to change any details of product or withdraw specifications without prior notice.

This specification sheet supersedes all previous versions.

All intellectual property rights pertaining to the product described above and to this document are owned by or licensed to Lucent Lighting, Incorporated. Lucent Lighting reserves the right to take whatever action is necessary to protect its intellectual property, patents and trademarks

Please notify Lucent Lighting Inc. inaccuracies. E&OE

---



## Light efficiency:

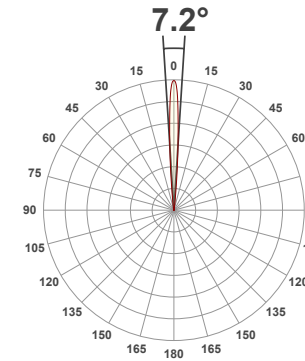
**68 Lumen/Watt**

## Light quality:

**CRI: 91.3**

## Color temperature:

**3000 K**



## Product name:

**Edge4.25 Fixed\_Accent -LED51 SuperSpot, 3000K, 7°, 500mA**

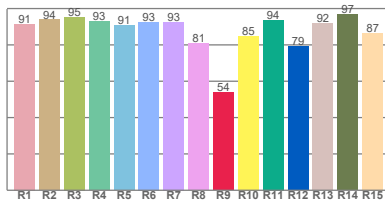
## Item number:

**A31413-F/A - LED51SS-30-7-500mA**

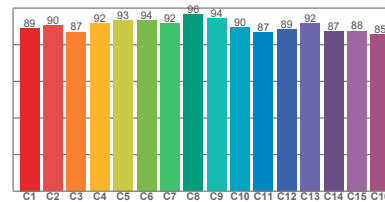
**Delivered information for above fixture and LED combination.**

**Output: 456 Lumen Peak intensity: 18626 cd Power consumption: 6.7**

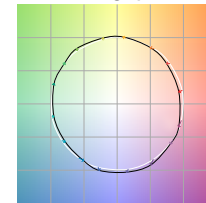
### CRI R values



### TM30 C Values

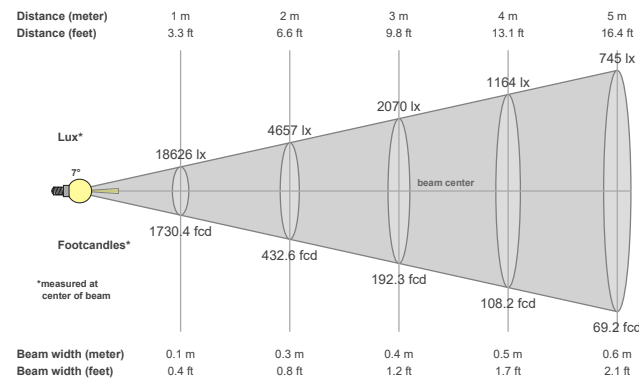


### Color vector graphics



Color temperature	Color rendering index	Red component	Color fidelity	Color gamut	Color quality scale	Color coordinate cie 1931	Color coordinate cie 1931	Color coordinate	Color coordinate	Color deviation from black body
CCT	CRI	CRI R9	TM30 Rf	TM30 Rg	CQS	x	y	u	v	Δuv
3000 K	91.3	53.8	90.4	99.8	90.1	0.437	0.404	0.249	0.348	0.0015

### Beam details



### Beam angles

Beam angle 50%	Field angle 10%	Cutoff angle 2,5%
7.2°	13°	20.2°

### Beam intensities

Peak intensity	Int. ratio in 120° cone	Int. ratio in 90° cone
18626 cd	99.0%	98.5%

### Beam intensities from 1-20m

1m	2m	3m	4m	5m	6m	7m	8m	9m	10m	11m	12m	13m	14m	15m	16m	17m	18m	19m	20m
3.3ft	6.6ft	9.8ft	13.1ft	16.4ft	19.7ft	23ft	26.2ft	29.5ft	32.8ft	36.1ft	39.4ft	42.7ft	45.9ft	49.2ft	52.5ft	55.8ft	59.1ft	62.3ft	65.6ft
18626lx	4657lx	2070lx	1164lx	745lx	517lx	380lx	291lx	230lx	186lx	154lx	129lx	110lx	95lx	83lx	73lx	64lx	57lx	52lx	47lx
1730.4fcd	432.6fcd	192.3fcd	108.2fcd	69.2fcd	48.1fcd	35.3fcd	27fcd	21.4fcd	17.3fcd	14.3fcd	12fcd	10.2fcd	8.8fcd	7.7fcd	6.8fcd	6fcd	5.3fcd	4.8fcd	4.3fcd

The above information is for 3000K colour temperature, for specific module information please see LED spec located on our website

For information regarding other colour temperatures please use the following factors for lumen output and candelas:

2700K = 0.9  
4000K = 1.08