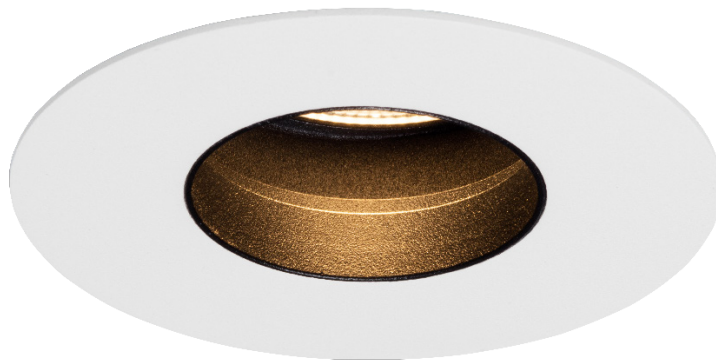
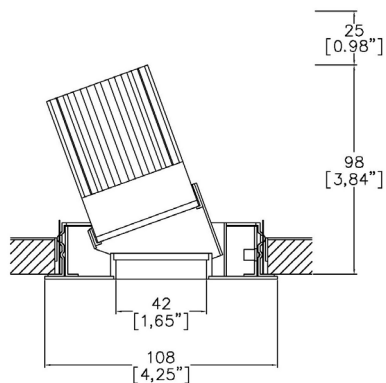


# Edge4.25 Accent



Edge4.25 provides high performance electronics and architectural aesthetics in 4.25" trim with a 1.65" aperture. Edge products include adjustable, fixed, washlight and wall wash in a flanged or trimless installation kit. Tray, retrofit and housing installation methods (NIC, IC, AT, T24 and CCEA) Multiple configurations for equal spacing also available. Lucent modules available in a wide range of color temperatures, beam angles, intensities, and effects (Ambiance WarmDim and Dynamic Tuneable White). MR16 and GU10 LED lamp options available. TRIAC/Phase, 0-10v/1-10v, DMX and DALI/Digital dimming.

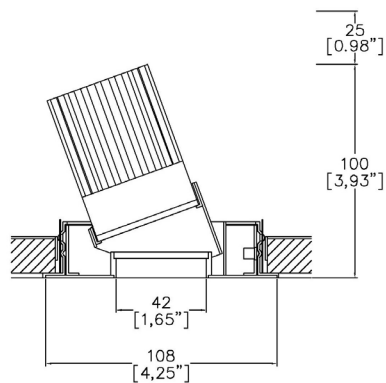


A31413-A-LED + 3000-PBZ  
360° rotation. Up to 30° tilt.  
Cut-out 103mm (4.00") Ø



### Installation kit for overlap flange 3000-PBZ

LED Source	LED51TW	LED51TW
CCT (5000K - 2000K)	@ 3000K	@ 3000K
Drive Current (max per channel)	700mA	700mA
Power inc Driver	15.1W	15.1W
Beam Angle	25°	35°
Delivered Lumens	551	629
Delivered Intensity cd	2290	1339
Efficacy lm/w	37	42
Forward Volt (max per channel)	18.4V	18.4V
CRI	≥95 CRI	≥95 CRI



A31413-A-LED + 3000-PCZ  
360° rotation. Up to 30° tilt.  
Cut-out 98mm (3.85") Ø



### Mud-in kit for seamless/trimless 3000-PCZ

LED Source	LED51TW	LED51TW
CCT (5000K - 2000K)	@ 3000K	@ 3000K
Drive Current (max per channel)	700mA	700mA
Power inc Driver	15.1W	15.1W
Beam Angle	25°	35°
Delivered Lumens	551	629
Delivered Intensity cd	2290	1339
Efficacy lm/w	37	42
Forward Volt (max per channel)	18.4V	18.4V
CRI	≥95 CRI	≥95 CRI

Project Ref: \_\_\_\_\_

Location Ref: \_\_\_\_\_

Specify fixture part number (All boxes must be filled in to correctly order)

A31413-A-LED					LED5ITW	5020							
--------------	--	--	--	--	---------	------	--	--	--	--	--	--	--

Finish  
**WH** White  
**BK** Black

Location  
**XX** Dry  
**DP** Damp  
**WT** Wet

Installation  
**PB** 3000-PBZ Flange kit  
**PC** 3000-PCZ Mud-in kit

Ceiling Thickness  
**SC** Standard Ceiling (1/2"-5/8"-3/4")  
**C** Custom

LED Type  
**LED5ITW** LED5ITW (95CRI)

CCT  
**5020** 5000K - 2000K

Beam Angles  
**25** 25  
**35** 35

Housing/Tray  
**LMT-13-NIC** Mounting Tray Non-Insulated ceilings  
**LH-6.75-NIC** Housing 6.75" Non-Insulated ceilings  
**LH-8.50-AT/IC** Housing 8.50" Insulated/Air-tight ceilings and Chicago Plenum

Mounting Hardware  
**09** 9" to 15.25" - Adjustable Bar Hanger Lengths  
**14** 14" to 24" - Adjustable Bar Hanger Lengths  
**36** 28" to 36" - Adjustable Bar Hanger Lengths  
**BB** Butterfly Bracket  
**CB** Caterpillar Bracket

Supply Voltage  
**120** 120V  
**277** 277V

Dimming Protocol  
**A2** Analogue (0-10V) 2-Channel (0.1% Dimming)  
**D6** DALI Type 6\*\* (0.1% Dimming)  
**D8** DALI Type 8\*\* (0.1% Dimming)  
**L** Lutron (Consult Factory)

Emergency  
**E** 1.5h Emergency  
**ES** 1.5h Self test

Louvre/Lens  
**XX** Not required  
**LL45** Honeycomb  
**LLCC** Warm Tone  
**LLUV** UV  
**LLDF** Solite/Diffusing  
**LLFR** Frosted Lens  
**LLLS** Linear Spread  
**LLHS** Heavy Spread

\*Refer to Technical Details for more information

## Housing dimensions



LH-6.75  
Non-insulated ceilings



LH-8.50  
Insulated/air-tight ceilings and  
Chicago Plenum

## Tray dimensions



LMT-13  
Non-insulated ceilings



**Honeycomb Louvre (LL45)**



**Solite/Diffusing Lens (LLDF)**



**Frosted Lens (LLFR)**



**Heavy Spread Lens (LLHS)**



**Linear Spread Lens (LLLS)**



**Warm Tone (LLCC)**

.....

## Technical Details

\*Custom color requires a paint chip or RAL code and may increase price and lead-time

It is the responsibility of the specifier/integrator/installer to check and ensure compatibility of any control equipment used. Additional cabling may be required depending on the dimming protocol specified.

\*\*DALI Type 6 requires two DALI addresses, one for CCT control the other for intensity control. DALI Type 8 is a single DALI Type 8 address for CCT and intensity control. Please check which control system is being used before specifying.

^ Depth indicated is the minimum recess depth for the luminaire with a remote mounted LED driver. Installing a driver through either the luminaire cut-out or installation kit may require additional recess depth, please refer to the relevant installation instructions prior to purchase.

First Fix Requirement. Luminaire comprised of fixture body with ceiling trim and installation kit, which is to be fitted into the ceiling once finished. Ensure correct alignment of the installation kit before final assembly (see luminaire installation instructions for details)

Location. Tested from underside of the ceiling.

Data correct at time of publishing. It is the policy of Lucent Lighting to continually review and improve its products and therefore reserve the right to change any details of product or withdraw specifications without prior notice.

This specification sheet supersedes all previous versions.

All intellectual property rights pertaining to the product described above and to this document are owned by or licensed to Lucent Lighting, Incorporated. Lucent Lighting reserves the right to take whatever action is necessary to protect its intellectual property, patents and trademarks

Please notify Lucent Lighting Inc. inaccuracies. E&OE

.....



Light efficiency:

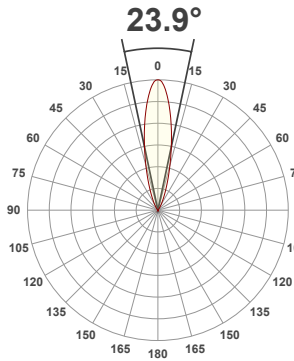
**37 Lumen/Watt**

Light quality:

**CRI: 91.3**

Color temperature:

**3000 K**



Product name:

**A31413-F\_A-LED - LED51TW-5020-25 @ 3000K**

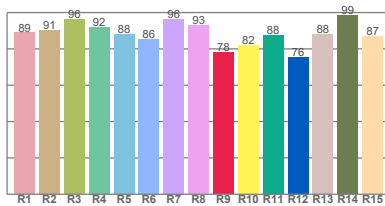
Item number:

**Edge4.25 Fixed\_Accent - LED51TW-5020-25 @ 3000K**

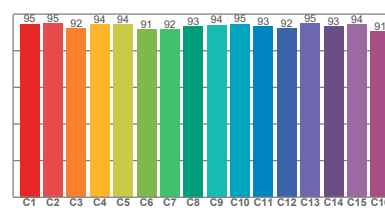
Delivered information for above fixture and LED combination.

Output: 551 Lumen Peak intensity: 2290 cd Power consumption: 15.1

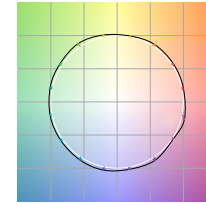
CRI R values



TM30 C Values

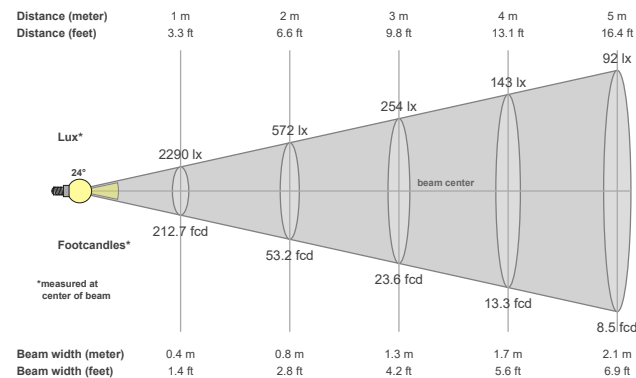


Color vector graphics



Color temperature	Color rendering index	Red component	Color fidelity	Color gamut	Color quality scale	Color coordinate cie 1931	Color coordinate cie 1931	Color coordinate	Color coordinate	Color deviation from black body
CCT	CRI	CRI R9	TM30 Rf	TM30 Rg	CQS	x	y	u	v	Δuv
3000 K	91.3	78.1	93.5	106.8	93.4	0.437	0.404	0.258	0.336	-0.0131

### Beam details



### Beam angles

Beam angle 50%	Field angle 10%	Cutoff angle 2,5%
23.9°	49.8°	68.7°

### Beam intensities

Peak intensity	Int. ratio in 120° cone	Int. ratio in 90° cone
2290 cd	99.8%	98.9%

### Beam intensities from 1-20m

1m	2m	3m	4m	5m	6m	7m	8m	9m	10m	11m	12m	13m	14m	15m	16m	17m	18m	19m	20m
3.3ft	6.6ft	9.8ft	13.1ft	16.4ft	19.7ft	23ft	26.2ft	29.5ft	32.8ft	36.1ft	39.4ft	42.7ft	45.9ft	49.2ft	52.5ft	55.8ft	59.1ft	62.3ft	65.6ft
2290lx	572lx	254lx	143lx	92lx	64lx	47lx	36lx	28lx	23lx	19lx	16lx	14lx	12lx	10lx	9lx	8lx	7lx	6lx	6lx
212.7fcd	53.2fcd	23.6fcd	13.3fcd	8.5fcd	5.9fcd	4.3fcd	3.3fcd	2.6fcd	2.1fcd	1.8fcd	1.5fcd	1.3fcd	1.1fcd	0.9fcd	0.8fcd	0.7fcd	0.7fcd	0.6fcd	0.5fcd

All the above information for fixtures with LED51TW-5020 modules are tested at 3000K

Factors to adjust lumen output for the following CCTs at 100% output for the colour are as follows:

2000K = 0.67

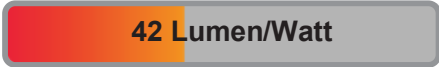
2700K = 0.84

3500K = 1.085

4000K = 1.113

5000K = 1.087

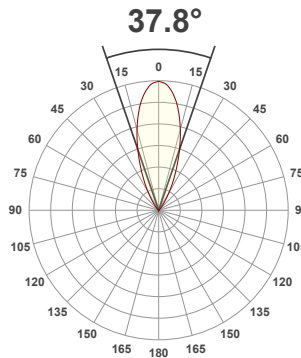
Light efficiency:



Light quality:



Color temperature:



Product name:

**A31413-F\_A-LED - LED51TW-5020-35 @ 3000K**

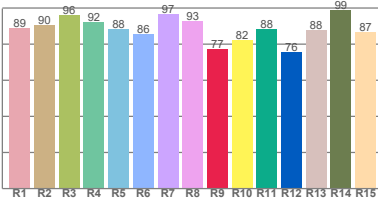
Item number:

**Edge4.25 Fixed\_Accent - LED51TW-5020-35 @ 3000K**

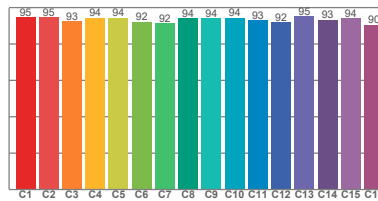
Delivered information for above fixture and LED combination.

**Output: 629 Lumen Peak intensity: 1339 cd Power consumption: 15.1**

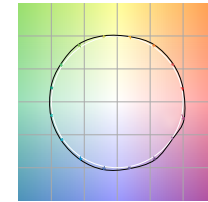
CRI R values



TM30 C Values

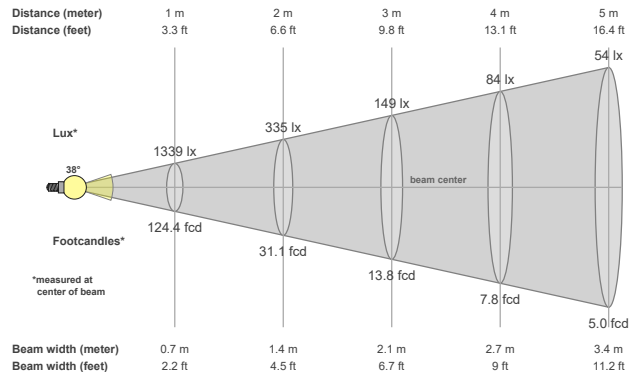


Color vector graphics



Color temperature	Color rendering index	Red component	Color fidelity	Color gamut	Color quality scale	Color coordinate cie 1931	Color coordinate cie 1931	Color coordinate	Color coordinate	Color deviation from black body
CCT	CRI	CRI R9	TM30 Rf	TM30 Rg	CQS	x	y	u	v	Δuv
3000 K	91.4	77.4	93.6	106.4	93.7	0.437	0.404	0.256	0.336	-0.0131

**Beam details**



**Beam angles**

Beam angle 50%	Field angle 10%	Cutoff angle 2,5%
37.8°	67.2°	85.4°

**Beam intensities**

Peak intensity	Int. ratio in 120° cone	Int. ratio in 90° cone
1339 cd	99.8%	98.1%

**Beam intensities from 1-20m**

1m	2m	3m	4m	5m	6m	7m	8m	9m	10m	11m	12m	13m	14m	15m	16m	17m	18m	19m	20m
3.3ft	6.6ft	9.8ft	13.1ft	16.4ft	19.7ft	23ft	26.2ft	29.5ft	32.8ft	36.1ft	39.4ft	42.7ft	45.9ft	49.2ft	52.5ft	55.8ft	59.1ft	62.3ft	65.6ft
1339lx	335lx	149lx	84lx	54lx	37lx	27lx	21lx	17lx	13lx	11lx	9lx	8lx	7lx	6lx	5lx	5lx	4lx	4lx	3lx
124.4fcd	31.1fcd	13.8fcd	7.8fcd	5fcd	3.5fcd	2.5fcd	1.9fcd	1.5fcd	1.2fcd	1fcd	0.9fcd	0.7fcd	0.6fcd	0.6fcd	0.5fcd	0.4fcd	0.4fcd	0.3fcd	0.3fcd

All the above information for fixtures with LED51TW-5020 modules are tested at 3000K

Factors to adjust lumen output for the following CCTs at 100% output for the colour are as follows:

2000K = 0.67

2700K = 0.84

3500K = 1.085

4000K = 1.113

5000K = 1.087