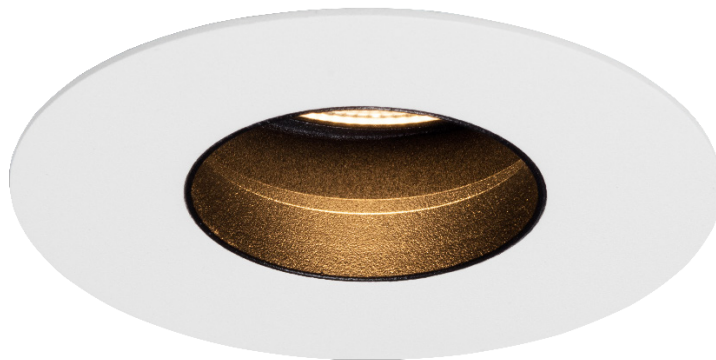
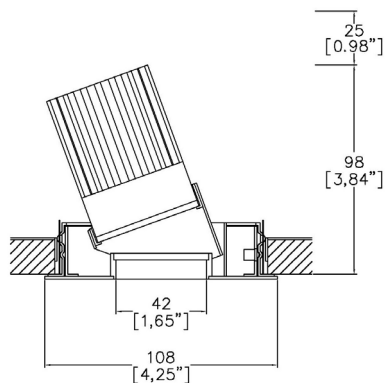


Edge4.25 Accent



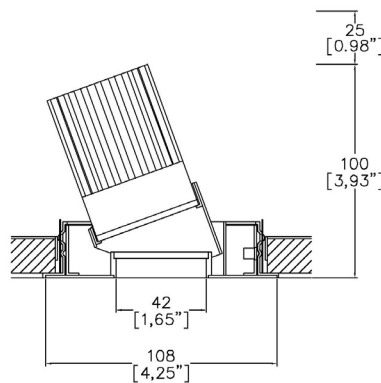
Edge4.25 provides high performance electronics and architectural aesthetics in 4.25" trim with a 1.65" aperture. Edge products include adjustable, fixed, washlight and wall wash in a flanged or trimless installation kit. Tray, retrofit and housing installation methods (NIC, IC, AT, T24 and CCEA) Multiple configurations for equal spacing also available. Lucent modules available in a wide range of color temperatures, beam angles, intensities, and effects (Ambiance WarmDim and Dynamic Tuneable White). MR16 and GU10 LED lamp options available. TRIAC/Phase, 0-10v/1-10v, DMX and DALI/Digital dimming.



A31413-A-LED + 3000-PBZ
360° rotation. Up to 30° tilt.
Cut-out 103mm (4.00") Ø



**Installation kit for overlap flange
3000-PBZ**



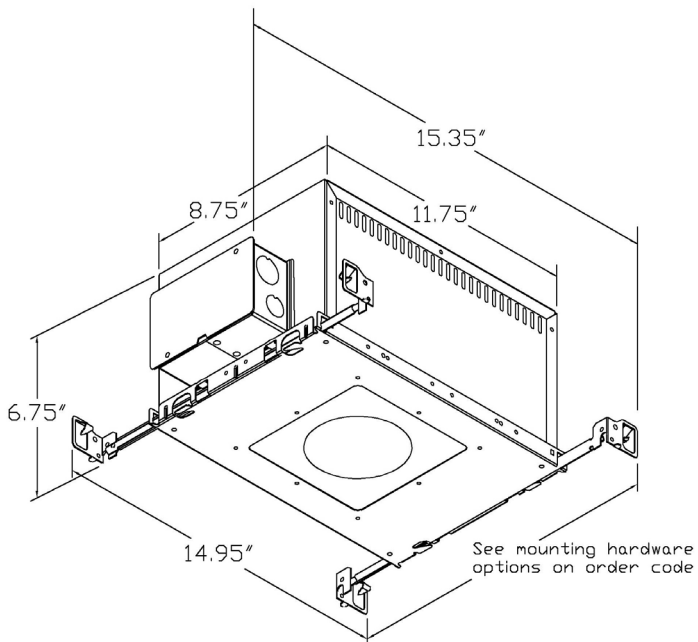
A31413-A-LED + 3000-PCZ
360° rotation. Up to 30° tilt.
Cut-out 98mm (3.85") Ø



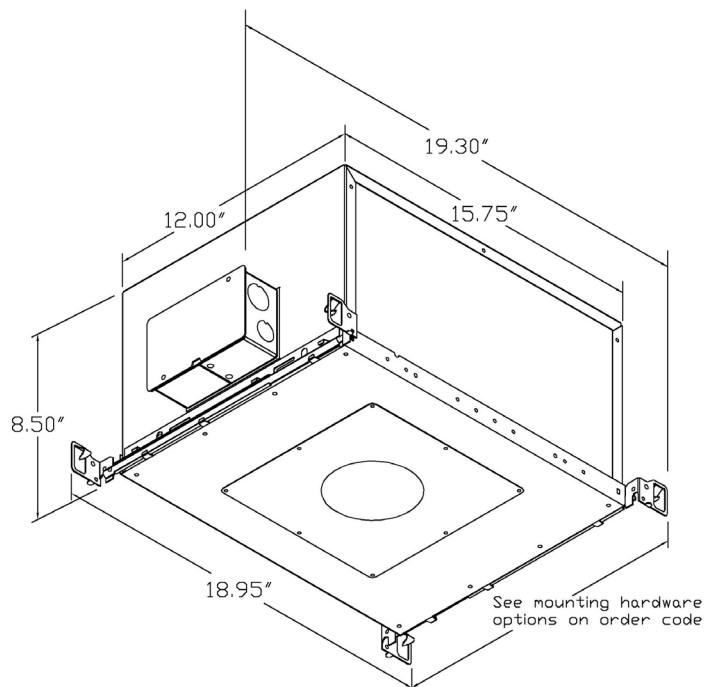
**Mud-in kit for seamless/trimless
3000-PCZ**

LED Source	LED51/2	LED51/2	LED51/2	LED51/2	LED51/U	LED51/U	LED51/U	LED51/U
CCT	3000K	3000K	3000K	3000K	3000K	3000K	3000K	3000K
Drive Current	350mA	350mA	350mA	350mA	350mA	350mA	350mA	350mA
Power inc Driver	13.6W	13.6W	13.6W	13.6W	13.6W	13.6W	13.6W	13.6W
Beam Angle	12°	24°	38°	55°	12°	24°	38°	55°
Delivered Lumens	759	847	997	933	726	717	855	799
Delivered Intensisty cd	10273	4613	2877	1273	10777	4080	2047	1041
Efficacy lm/w	56	62	73	69	53	53	63	59
Forward Volt	33V	33V	33V	33V	33V	33V	33V	33V
CRI	≥90 CRI	≥90 CRI	≥90 CRI	≥90 CRI	≥98 CRI	≥98 CRI	≥98 CRI	≥98 CRI

Housing dimensions

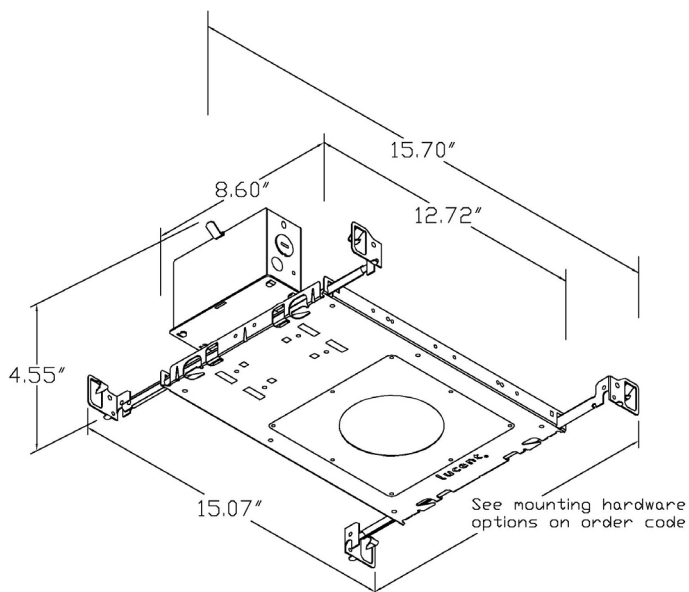


LH-6.75
Non-insulated ceilings

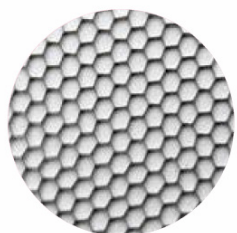


LH-8.50
Insulated/air-tight ceilings and
Chicago Plenum

Tray dimensions



LMT-13
Non-insulated ceilings



Honeycomb Louvre (LL45)



Solite/Diffusing Lens (LLDF)



Frosted Lens (LLFR)



Heavy Spread Lens (LLHS)



Linear Spread Lens (LLLS)



Warm Tone (LLCC)

Technical Details

*Custom color requires a paint chip or RAL code and may increase price and lead-time

It is the responsibility of the specifier/integrator/installer to check and ensure compatibility of any control equipment used. Additional cabling may be required depending on the dimming protocol specified.

**DALI Type 6 requires two DALI addresses, one for CCT control the other for intensity control. DALI Type 8 is a single DALI Type 8 address for CCT and intensity control. Please check which control system is being used before specifying.

**** Available for integration with Lutron Athena Control systems. Please contact Lucent Lighting Inc./Lutron factory for further details.

^ Depth indicated is the minimum recess depth for the luminaire with a remote mounted LED driver. Installing a driver through either the luminaire cut-out or installation kit may require additional recess depth, please refer to the relevant installation instructions prior to purchase.

First Fix Requirement. Luminaire comprised of fixture body with ceiling trim and installation kit, which is to be fitted into the ceiling once finished. Ensure correct alignment of the installation kit before final assembly (see luminaire installation instructions for details)

Location. Tested from underside of the ceiling.

Data correct at time of publishing. It is the policy of Lucent Lighting to continually review and improve its products and therefore reserve the right to change any details of product or withdraw specifications without prior notice.

This specification sheet supersedes all previous versions.

All intellectual property rights pertaining to the product described above and to this document are owned by or licensed to Lucent Lighting, Incorporated. Lucent Lighting reserves the right to take whatever action is necessary to protect its intellectual property, patents and trademarks

Please notify Lucent Lighting Inc. inaccuracies. E&OE



Light efficiency:

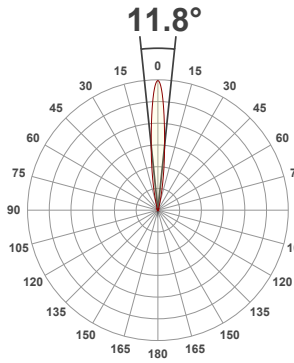
56 Lumen/Watt

Light quality:

CRI: 92.8

Color temperature:

3000 K



Product name:

Edge4.25 Fixed_Accent -LED50 ONE GEN2, 3000K, 12°, 350mA

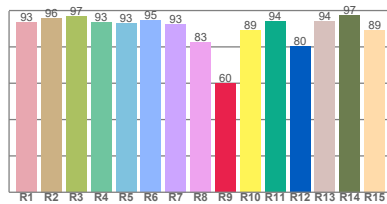
Item number:

A31413-F/A - LED51/2-30-12-350mA

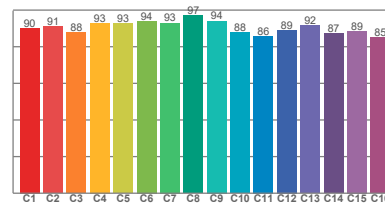
Delivered information for above fixture and LED combination.

Output: 759 Lumen Peak intensity: 10273 cd Power consumption: 13.6

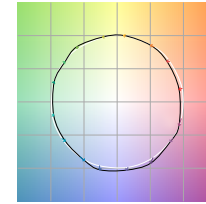
CRI R values



TM30 C Values

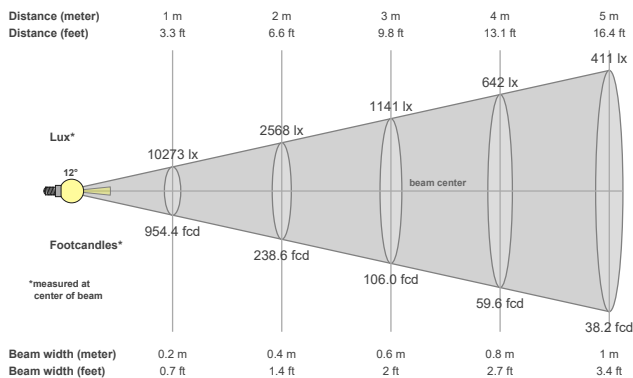


Color vector graphics



Color temperature	Color rendering index	Red component	Color fidelity	Color gamut	Color quality scale	Color coordinate cie 1931	Color coordinate cie 1931	Color coordinate	Color coordinate	Color deviation from black body
CCT	CRI	CRI R9	TM30 Rf	TM30 Rg	CQS	x	y	u	v	Δuv
3000 K	92.8	59.9	90.5	100.3	90.5	0.437	0.404	0.249	0.346	-0.0010

Beam details



Beam angles

Beam angle 50%	Field angle 10%	Cutoff angle 2,5%
11.8°	25.6°	39.5°

Beam intensities

Peak intensity	Int. ratio in 120° cone	Int. ratio in 90° cone
10273 cd	99.4%	98.6%

Beam intensities from 1-20m

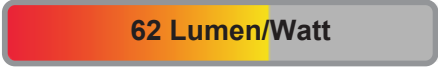
1m	2m	3m	4m	5m	6m	7m	8m	9m	10m	11m	12m	13m	14m	15m	16m	17m	18m	19m	20m
3.3ft	6.6ft	9.8ft	13.1ft	16.4ft	19.7ft	23ft	26.2ft	29.5ft	32.8ft	36.1ft	39.4ft	42.7ft	45.9ft	49.2ft	52.5ft	55.8ft	59.1ft	62.3ft	65.6ft
10273lx	2568lx	1141lx	642lx	411lx	285lx	210lx	161lx	127lx	103lx	85lx	71lx	61lx	52lx	46lx	40lx	36lx	32lx	28lx	26lx
954.4fcd	238.6fcd	106fcd	59.6fcd	38.2fcd	26.5fcd	19.5fcd	14.9fcd	11.8fcd	9.5fcd	7.9fcd	6.6fcd	5.6fcd	4.9fcd	4.2fcd	3.7fcd	3.3fcd	2.9fcd	2.6fcd	2.4fcd

The above information is for 3000K colour temperature, for specific module information please see LED spec located on our website

For information regarding other colour temperatures please use the following factors for lumen output and candelas:

2700K = 1
4000K = 1.084

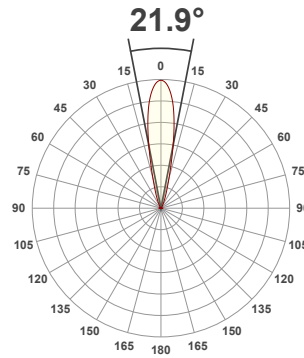
Light efficiency:



Light quality:



Color temperature:



Product name:

Edge4.25 Fixed_Accent -LED50 ONE GEN2, 3000K, 24°, 350mA

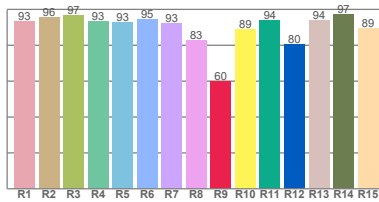
Item number:

A31413-F/A - LED51/2-30-24-350mA

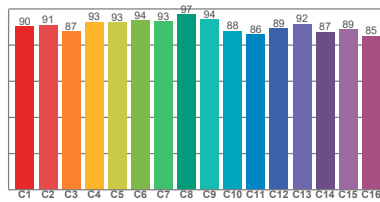
Delivered information for above fixture and LED combination.

Output: 847 Lumen Peak intensity: 4613 cd Power consumption: 13.6

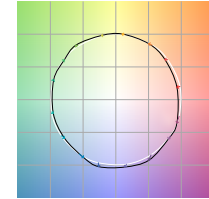
CRI R values



TM30 C Values

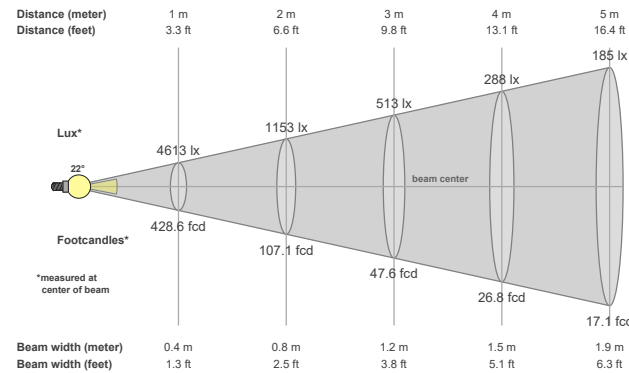


Color vector graphics



Color temperature	Color rendering index	Red component	Color fidelity	Color gamut	Color quality scale	Color coordinate cie 1931	Color coordinate cie 1931	Color coordinate	Color coordinate	Color deviation from black body
CCT	CRI	CRI R9	TM30 Rf	TM30 Rg	CQS	x	y	u	v	Δuv
3000 K	92.8	60.1	90.5	100.4	90.4	0.437	0.404	0.249	0.346	-0.0011

Beam details



Beam angles

Beam angle 50%	Field angle 10%	Cutoff angle 2,5%
21.9°	41.1°	59.6°

Beam intensities

Peak intensity	Int. ratio in 120° cone	Int. ratio in 90° cone
4613 cd	99.4%	98.4%

Beam intensities from 1-20m

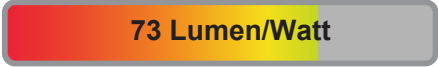
1m	2m	3m	4m	5m	6m	7m	8m	9m	10m	11m	12m	13m	14m	15m	16m	17m	18m	19m	20m
3.3ft	6.6ft	9.8ft	13.1ft	16.4ft	19.7ft	23ft	26.2ft	29.5ft	32.8ft	36.1ft	39.4ft	42.7ft	45.9ft	49.2ft	52.5ft	55.8ft	59.1ft	62.3ft	65.6ft
4613lx	1153lx	513lx	288lx	185lx	128lx	94lx	72lx	57lx	46lx	38lx	32lx	27lx	24lx	21lx	18lx	16lx	14lx	13lx	12lx
428.6fcd	107.1fcd	47.6fcd	26.8fcd	17.1fcd	11.9fcd	8.7fcd	6.7fcd	5.3fcd	4.3fcd	3.5fcd	3fcd	2.5fcd	2.2fcd	1.9fcd	1.7fcd	1.5fcd	1.3fcd	1.2fcd	1.1fcd

The above information is for 3000K colour temperature, for specific module information please see LED spec located on our website

For information regarding other colour temperatures please use the following factors for lumen output and candelas:

2700K = 1
4000K = 1.084

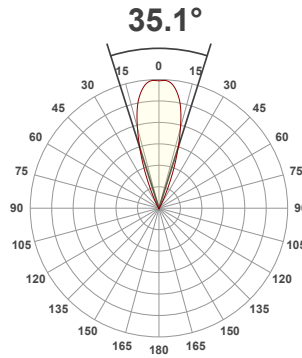
Light efficiency:



Light quality:



Color temperature:



Product name:

Edge4.25 Fixed_Accent -LED50 ONE GEN2, 3000K, 38°, 350mA

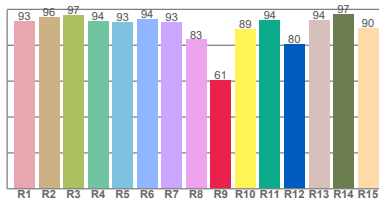
Item number:

A31413-F/A - LED51/2-30-38-350mA

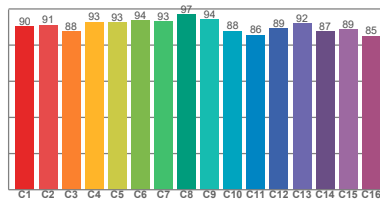
Delivered information for above fixture and LED combination.

Output: 997 Lumen Peak intensity: 2877 cd Power consumption: 13.6

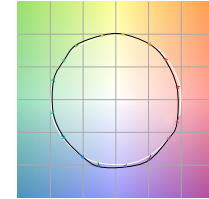
CRI R values



TM30 C Values

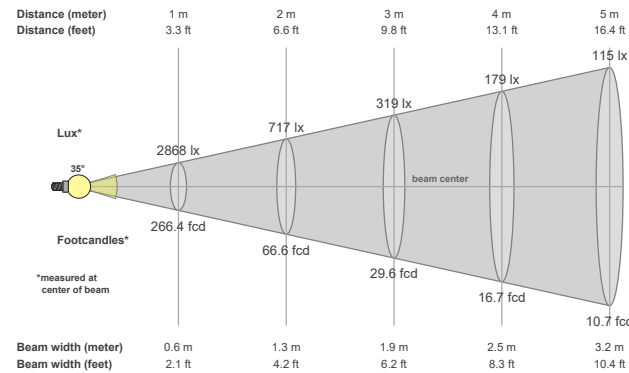


Color vector graphics



Color temperature	Color rendering index	Red component	Color fidelity	Color gamut	Color quality scale	Color coordinate cie 1931	Color coordinate cie 1931	Color coordinate	Color coordinate	Color deviation from black body
CCT	CRI	CRI R9	TM30 Rf	TM30 Rg	CQS	x	y	u	v	Δuv
3000 K	92.8	60.6	90.5	100.4	90.5	0.437	0.404	0.248	0.345	-0.0011

Beam details



Beam angles

Beam angle 50%	Field angle 10%	Cutoff angle 2,5%
35.1°	52°	65.4°

Beam intensities

Peak intensity	Int. ratio in 120° cone	Int. ratio in 90° cone
2877 cd	99.9%	99.3%

Beam intensities from 1-20m

1m	2m	3m	4m	5m	6m	7m	8m	9m	10m	11m	12m	13m	14m	15m	16m	17m	18m	19m	20m
3.3ft	6.6ft	9.8ft	13.1ft	16.4ft	19.7ft	23ft	26.2ft	29.5ft	32.8ft	36.1ft	39.4ft	42.7ft	45.9ft	49.2ft	52.5ft	55.8ft	59.1ft	62.3ft	65.6ft
2868lx	717lx	319lx	179lx	115lx	80lx	59lx	45lx	35lx	29lx	24lx	20lx	17lx	15lx	13lx	11lx	10lx	9lx	8lx	7lx
266.4fcd	66.6fcd	29.6fcd	16.7fcd	10.7fcd	7.4fcd	5.4fcd	4.2fcd	3.3fcd	2.7fcd	2.2fcd	1.9fcd	1.6fcd	1.4fcd	1.2fcd	1fcd	0.9fcd	0.8fcd	0.7fcd	0.7fcd

The above information is for 3000K colour temperature, for specific module information please see LED spec located on our website

For information regarding other colour temperatures please use the following factors for lumen output and candelas:

2700K = 1
4000K = 1.084

Light efficiency:

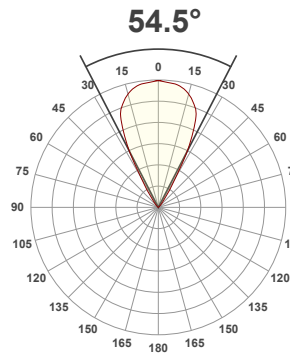
68 Lumen/Watt

Light quality:

CRI: 92.1

Color temperature:

3000 K



Product name:

Edge4.25 Fixed_Accent -LED50 ONE GEN2, 3000K, 55°, 350mA

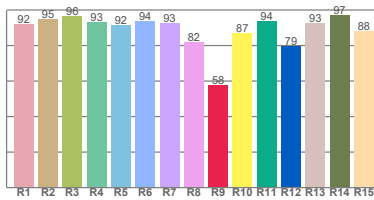
Item number:

A31413-F/A - LED51/2-30-55-350mA

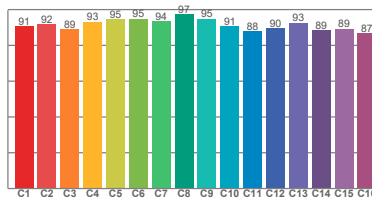
Delivered information for above fixture and LED combination.

Output: 931 Lumen Peak intensity: 1273 cd Power consumption: 13.6

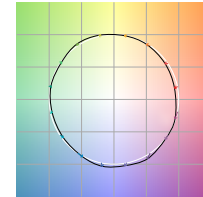
CRI R values



TM30 C Values

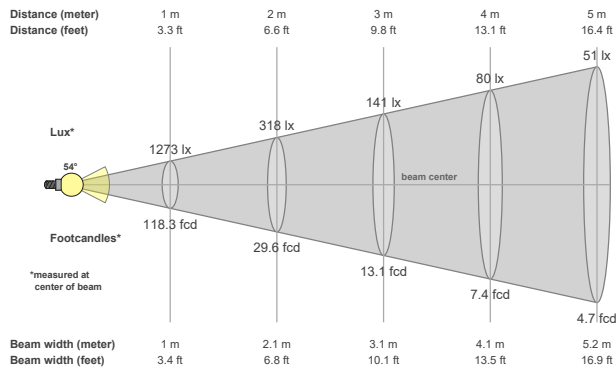


Color vector graphics



Color temperature	Color rendering index	Red component	Color fidelity	Color gamut	Color quality scale	Color coordinate cie 1931	Color coordinate cie 1931	Color coordinate	Color coordinate	Color deviation from black body
CCT	CRI	CRI R9	TM30 Rf	TM30 Rg	CQS	x	y	u	v	Δuv
3000 K	92.1	57.9	91.6	99.8	90.5	0.437	0.404	0.250	0.348	0.0006

Beam details



Beam angles

Beam angle 50%	Field angle 10%	Cutoff angle 2,5%
54.5°	70.7°	88.5°

Beam intensities

Peak intensity	Int. ratio in 120° cone	Int. ratio in 90° cone
1273 cd	99.7%	98.3%

Beam intensities from 1-20m

1m	2m	3m	4m	5m	6m	7m	8m	9m	10m	11m	12m	13m	14m	15m	16m	17m	18m	19m	20m
3.3ft	6.6ft	9.8ft	13.1ft	16.4ft	19.7ft	23ft	26.2ft	29.5ft	32.8ft	36.1ft	39.4ft	42.7ft	45.9ft	49.2ft	52.5ft	55.8ft	59.1ft	62.3ft	65.6ft
1273lx	318lx	141lx	80lx	51lx	35lx	26lx	20lx	16lx	13lx	11lx	9lx	8lx	6lx	6lx	5lx	4lx	4lx	4lx	3lx
118.3fcd	29.6fcd	13.1fcd	7.4fcd	4.7fcd	3.3fcd	2.4fcd	1.8fcd	1.5fcd	1.2fcd	1fcd	0.8fcd	0.7fcd	0.6fcd	0.5fcd	0.5fcd	0.4fcd	0.4fcd	0.3fcd	0.3fcd

The above information is for 3000K colour temperature, for specific module information please see LED spec located on our website

For information regarding other colour temperatures please use the following factors for lumen output and candelas:

2700K = 1
 3500K = 1
 4000K = 1.084

Light efficiency:

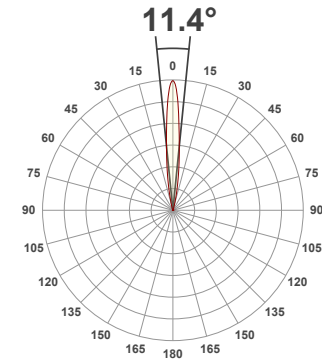
53 Lumen/Watt

Light quality:

CRI: 97.9

Color temperature:

3000 K



Product name:

91413-F_A-LED - LED51_U-30-12-350mA

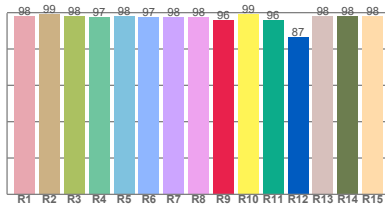
Item number:

Edge90 Fixed_Accent - LED51_U-30-12-350mA

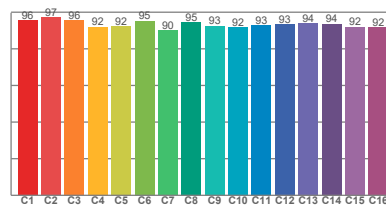
Delivered information for above fixture and LED combination.

Output: 726 Lumen Peak intensity: 10777 cd Power consumption: 13.6

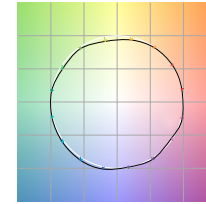
CRI R values



TM30 C Values

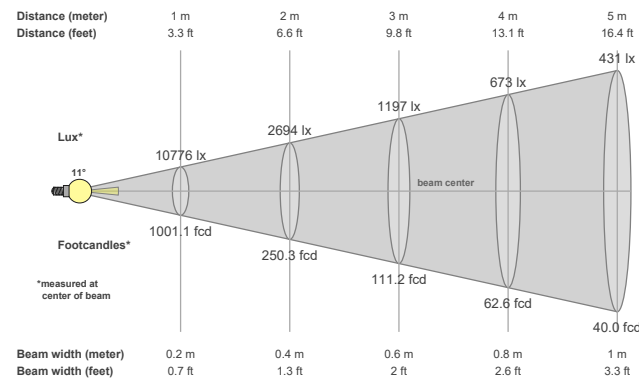


Color vector graphics



Color temperature	Color rendering index	Red component	Color fidelity	Color gamut	Color quality scale	Color coordinate cie 1931	Color coordinate cie 1931	Color coordinate	Color coordinate	Color deviation from black body
CCT	CRI	CRI R9	TM30 Rf	TM30 Rg	CQS	x	y	u	v	Δuv
3000 K	97.9	95.7	93.6	98.7	94.7	0.437	0.404	0.249	0.349	0.0016

Beam details



Beam angels

Beam angle 50%	Field angle 10%	Cutoff angle 2,5%
11.4°	25.3°	34.9°

Beam intensities

Peak intensity	Int. ratio in 120° cone	Int. ratio in 90° cone
10777 cd	99.5%	99.0%

Beam intensities from 1-20m

1m	2m	3m	4m	5m	6m	7m	8m	9m	10m	11m	12m	13m	14m	15m	16m	17m	18m	19m	20m
3.3ft	6.6ft	9.8ft	13.1ft	16.4ft	19.7ft	23ft	26.2ft	29.5ft	32.8ft	36.1ft	39.4ft	42.7ft	45.9ft	49.2ft	52.5ft	55.8ft	59.1ft	62.3ft	65.6ft
10776lx	2694lx	1197lx	673lx	431lx	299lx	220lx	168lx	133lx	108lx	89lx	75lx	64lx	55lx	48lx	42lx	37lx	33lx	30lx	27lx
1001.1fcd	250.3fcd	111.2fcd	62.6fcd	40fcd	27.8fcd	20.4fcd	15.6fcd	12.4fcd	10fcd	8.3fcd	7fcd	5.9fcd	5.1fcd	4.4fcd	3.9fcd	3.5fcd	3.1fcd	2.8fcd	2.5fcd

The above information is for 3000K colour temperature, for specific module information please see LED spec located on our website

For information regarding other colour temperatures please use the following factors for lumen output and candelas:

2700K = 1

Light efficiency:

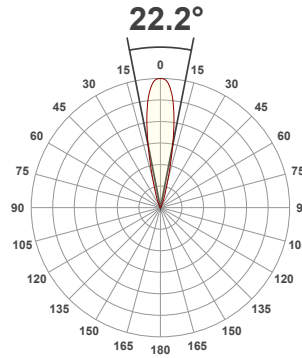
53 Lumen/Watt

Light quality:

CRI: 97.8

Color temperature:

3000 K



Product name:

91413-F_A-LED - LED51_U-30-24-350mA

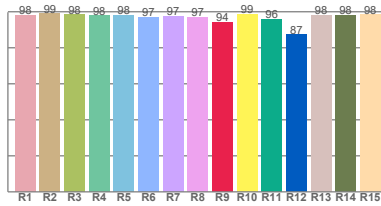
Item number:

Edge90 Fixed_Accent - LED51_U-30-24-350mA

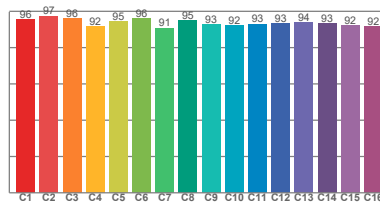
Delivered information for above fixture and LED combination.

Output: 717 Lumen Peak intensity: 4080 cd Power consumption: 13.6

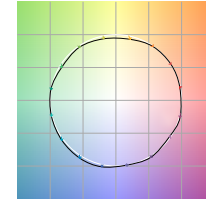
CRI R values



TM30 C Values

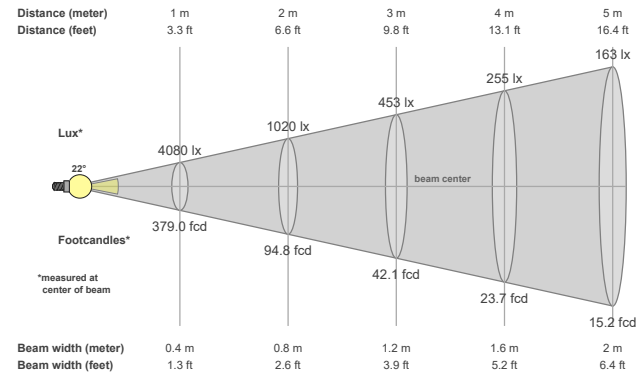


Color vector graphics



Color temperature	Color rendering index	Red component	Color fidelity	Color gamut	Color quality scale	Color coordinate cie 1931	Color coordinate cie 1931	Color coordinate	Color coordinate	Color deviation from black body
CCT	CRI	CRI R9	TM30 Rf	TM30 Rg	CQS	x	y	u	v	Δuv
3000 K	97.8	94.3	93.9	99.0	95.2	0.437	0.404	0.251	0.349	0.0009

Beam details



Beam angles

Beam angle 50%	Field angle 10%	Cutoff angle 2,5%
22.2°	38.8°	56.1°

Beam intensities

Peak intensity	Int. ratio in 120° cone	Int. ratio in 90° cone
4080 cd	99.5%	98.7%

Beam intensities from 1-20m

1m	2m	3m	4m	5m	6m	7m	8m	9m	10m	11m	12m	13m	14m	15m	16m	17m	18m	19m	20m
3.3ft	6.6ft	9.8ft	13.1ft	16.4ft	19.7ft	23ft	26.2ft	29.5ft	32.8ft	36.1ft	39.4ft	42.7ft	45.9ft	49.2ft	52.5ft	55.8ft	59.1ft	62.3ft	65.6ft
4080lx	1020lx	453lx	255lx	163lx	113lx	83lx	64lx	50lx	41lx	34lx	28lx	24lx	21lx	18lx	16lx	14lx	13lx	11lx	10lx
379fcd	94.8fcd	42.1fcd	23.7fcd	15.2fcd	10.5fcd	7.7fcd	5.9fcd	4.7fcd	3.8fcd	3.1fcd	2.6fcd	2.2fcd	1.9fcd	1.7fcd	1.5fcd	1.3fcd	1.2fcd	1fcd	0.9fcd

The above information is for 3000K colour temperature, for specific module information please see LED spec located on our website

For information regarding other colour temperatures please use the following factors for lumen output and candelas:

2700K = 1

Light efficiency:

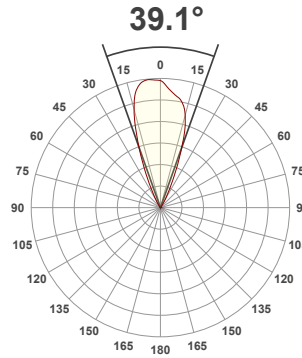
63 Lumen/Watt

Light quality:

CRI: 98.0

Color temperature:

3000 K



Product name:

91413-F_A-LED - LED51_U-30-38-350mA

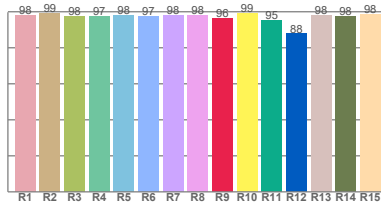
Item number:

Edge90 Fixed_Accent - LED51_U-30-38-350mA

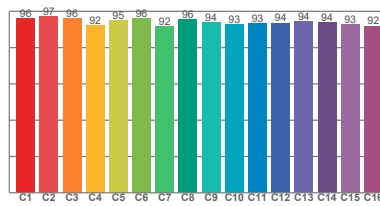
Delivered information for above fixture and LED combination.

Output: 855 Lumen Peak intensity: 2047 cd Power consumption: 13.6

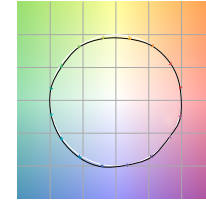
CRI R values



TM30 C Values

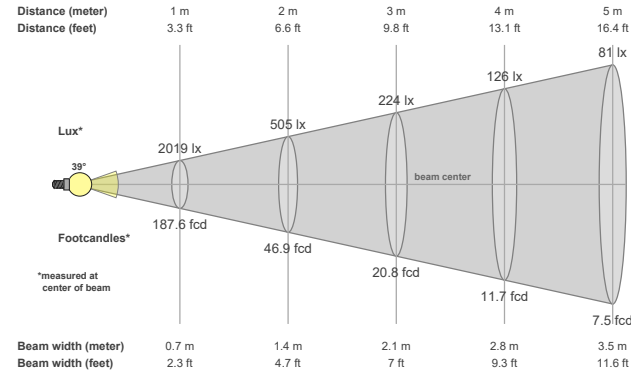


Color vector graphics



Color temperature	Color rendering index	Red component	Color fidelity	Color gamut	Color quality scale	Color coordinate cie 1931	Color coordinate cie 1931	Color coordinate	Color coordinate	Color deviation from black body
CCT	CRI	CRI R9	TM30 Rf	TM30 Rg	CQS	x	y	u	v	Δuv
3000 K	98.0	96.2	94.3	99.4	95.4	0.437	0.404	0.250	0.349	0.0012

Beam details



Beam angles

Beam angle 50%	Field angle 10%	Cutoff angle 2,5%
39.1°	57.2°	70.7°

Beam intensities

Peak intensity	Int. ratio in 120° cone	Int. ratio in 90° cone
2047 cd	99.6%	99.0%

Beam intensities from 1-20m

1m	2m	3m	4m	5m	6m	7m	8m	9m	10m	11m	12m	13m	14m	15m	16m	17m	18m	19m	20m
3.3ft	6.6ft	9.8ft	13.1ft	16.4ft	19.7ft	23ft	26.2ft	29.5ft	32.8ft	36.1ft	39.4ft	42.7ft	45.9ft	49.2ft	52.5ft	55.8ft	59.1ft	62.3ft	65.6ft
2019lx	505lx	224lx	126lx	81lx	56lx	41lx	32lx	25lx	20lx	17lx	14lx	12lx	10lx	9lx	8lx	7lx	6lx	6lx	5lx
187.6fcd	46.9fcd	20.8fcd	11.7fcd	7.5fcd	5.2fcd	3.8fcd	2.9fcd	2.3fcd	1.9fcd	1.6fcd	1.3fcd	1.1fcd	1fcd	0.8fcd	0.7fcd	0.6fcd	0.6fcd	0.5fcd	0.5fcd

The above information is for 3000K colour temperature, for specific module information please see LED spec located on our website

For information regarding other colour temperatures please use the following factors for lumen output and candelas:

2700K = 1

Light efficiency:

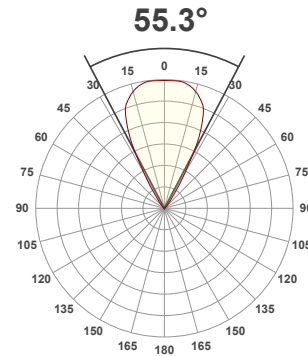
59 Lumen/Watt

Light quality:

CRI: 98.0

Color temperature:

3000 K



Product name:

A31413-F_A-LED - LED51_U-30-55-350mA

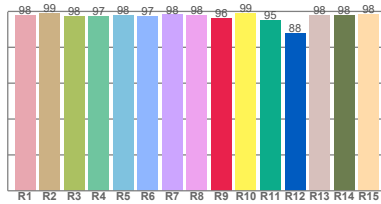
Item number:

Edge4.25 Fixed_Accent - LED51_U-30-55-350mA

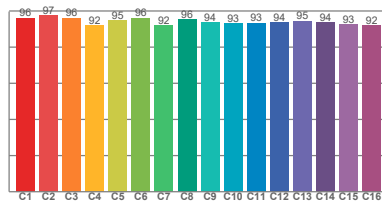
Delivered information for above fixture and LED combination.

Output: 799 Lumen Peak intensity: 1041 cd Power consumption: 13.6

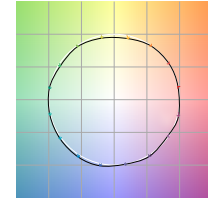
CRI R values



TM30 C Values

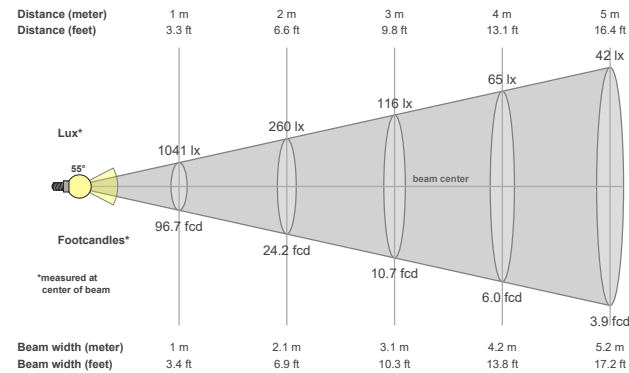


Color vector graphics



Color temperature	Color rendering index	Red component	Color fidelity	Color gamut	Color quality scale	Color coordinate cie 1931	Color coordinate cie 1931	Color coordinate	Color coordinate	Color deviation from black body
CCT	CRI	CRI R9	TM30 Rf	TM30 Rg	CQS	x	y	u	v	Δuv
3000 K	98.0	96.3	94.3	99.4	95.4	0.437	0.404	0.250	0.349	0.0013

Beam details



Beam angles

Beam angle 50%	Field angle 10%	Cutoff angle 2,5%
55.3°	72.1°	90.3°

Beam intensities

Peak intensity	Int. ratio in 120° cone	Int. ratio in 90° cone
1041 cd	99.4%	97.8%

Beam intensities from 1-20m

1m	2m	3m	4m	5m	6m	7m	8m	9m	10m	11m	12m	13m	14m	15m	16m	17m	18m	19m	20m
3.3ft	6.6ft	9.8ft	13.1ft	16.4ft	19.7ft	23ft	26.2ft	29.5ft	32.8ft	36.1ft	39.4ft	42.7ft	45.9ft	49.2ft	52.5ft	55.8ft	59.1ft	62.3ft	65.6ft
1041lx	260lx	116lx	65lx	42lx	29lx	21lx	16lx	13lx	10lx	9lx	7lx	6lx	5lx	5lx	4lx	4lx	3lx	3lx	3lx
96.7fcd	24.2fcd	10.7fcd	6fcd	3.9fcd	2.7fcd	2fcd	1.5fcd	1.2fcd	1fcd	0.8fcd	0.7fcd	0.6fcd	0.5fcd	0.4fcd	0.4fcd	0.3fcd	0.3fcd	0.3fcd	0.2fcd

The above information is for 3000K colour temperature, for specific module information please see LED spec located on our website

For information regarding other colour temperatures please use the following factors for lumen output and candelas:

2700K = 1