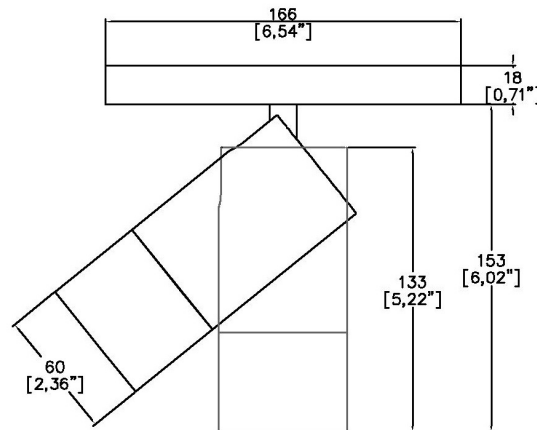


TubeLED Mini Low Voltage Track Adaptor



TubeLED consists of the Nano, Micro, Mini and Midi versions giving a wide range of fixing options, light outputs and beam angles. TubeLED Mini available as SuperSpot version with ultra narrow beam option. TubeLED Mini and Midi available as high output versions. Can be installed in Mains Volt and Low Volt track or surface mounted options.



A7100/2-LED-LVTR

LED Source	LED	LED	LED	LED
CCT	3000K	3000K	3000K	3000K
Drive Current	350mA	350mA	350mA	350mA
Power inc Driver	13.6W	13.6W	13.6W	13.6W
Beam Angle	12°	24°	38°	55°
Delivered Lumens	866	852	963	997
Delivered Intensisty cd	12230	5551	3402	1324
Efficacy lm/w	64	63	71	73
Forward Volt	33V	33V	33V	33V
CRI	≥90 CRI	≥90 CRI	≥90 CRI	≥90 CRI

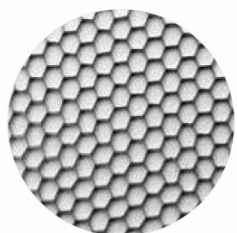
Project Ref: _____

Location Ref: _____

Specify fixture part number (All boxes must be filled in to correctly order)

A7100/2-LED						LVTR	
-------------	--	--	--	--	--	------	--

CCT	_____
27	2700K
30	3000K
40	4000K
Beam Angles	_____
12	12
24	24
38	38
55	55
Dimming Protocol	_____
S	Non-Dim
A	Analogue (0-10V)
D	DALI
Color Insert	_____
SN	Satin Nickel
SG	Satin Gold
CP	Copper
BZ	Bonze
(Blank)	Not required standard black to be supplied
Finish	_____
WH	White
BK	Black
RAL	Custom RAL Finish*
Fixing	_____
LVTR	Low Voltage Track Adaptor
Louvre/Lens	_____
XX	Not required
MN45	Honeycomb
LLCC	Warm Tone
LLUV	UV
LLDF	Solite/Diffusing
LLFR	Frosted Lens
LLLS	Linear Spread
LLHS	Heavy Spread



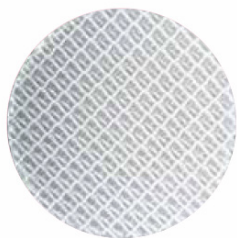
Honeycomb Louvre (MN45)



Solite/Diffusing Lens (LLDF)



Frosted Lens (LLFR)



Heavy Spread Lens (LLHS)



Linear Spread Lens (LLLS)



Warm Tone (LLCC)

Technical Details

*Custom color requires a paint chip or RAL code and may increase price and lead-time

It is the responsibility of the specifier/integrator/installer to check and ensure compatibility of any control equipment used. Additional cabling may be required depending on the dimming protocol specified.

**Bluetooth (wireless) is a communication protocol. The exact dimming protocol must be confirmed to allow the selection of suitable drivers or Bluetooth devices.

***Non specific driver type, dimming performance depending on exact driver used. Contact Lucent Lighting for more information.

^ Depth indicated is the minimum recess depth for the luminaire with a remote mounted LED driver. Installing a driver through either the luminaire cut-out or installation kit may require additional recess depth, please refer to the relevant installation instructions prior to purchase.

First Fix Requirement. Luminaire comprised of fixture body with ceiling trim and installation kit, which is to be fitted into the ceiling once finished. Ensure correct alignment of the installation kit before final assembly (see luminaire installation instructions for details)

Location. Tested from underside of the ceiling.

Data correct at time of publishing. It is the policy of Lucent Lighting to continually review and improve its products and therefore reserve the right to change any details of product or withdraw specifications without prior notice.

This specification sheet supersedes all previous versions.

All intellectual property rights pertaining to the product described above and to this document are owned by or licensed to Lucent Lighting, Incorporated. Lucent Lighting reserves the right to take whatever action is necessary to protect its intellectual property, patents and trademarks

Please notify Lucent Lighting Inc. inaccuracies. E&OE



Light efficiency:

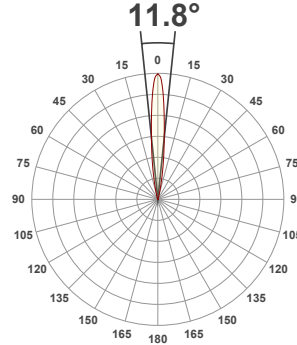
66 Lumen/Watt

Light quality:

CRI: 92.3

Color temperature:

3000 K



Product name:

TubeLED Mini GEN2, 3000K, 12°

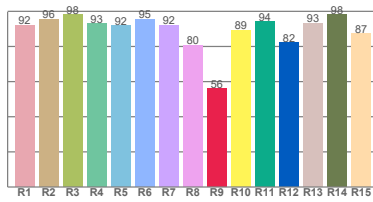
Item number:

7100/2-LED-930-12

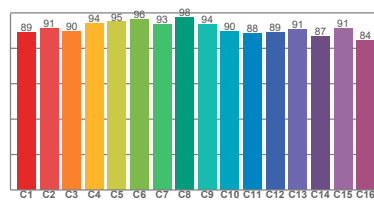
Delivered information for above fixture and LED combination.

Output: 975 Lumen Peak intensity: 13942 cd Power consumption: 14.8

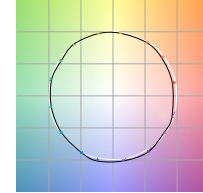
CRI R values



TM30 C Values

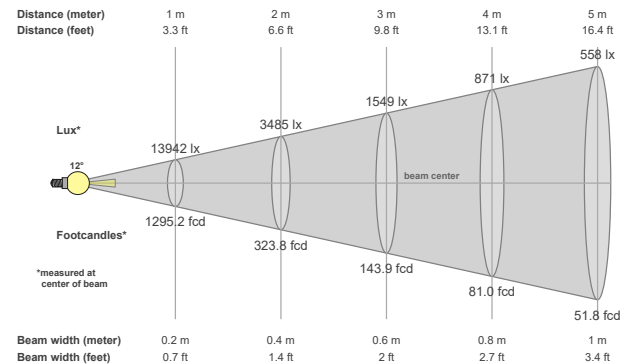


Color vector graphics



Color temperature	Color rendering index	Red component	Color fidelity	Color gamut	Color quality scale	Color coordinate cie 1931	Color coordinate cie 1931	Color coordinate	Color coordinate	Color deviation from black body
CCT	CRI	CRI R9	TM30 Rf	TM30 Rg	CQS	x	y	u	v	Δuv
3000 K	92.3	56.0	91.1	98.4	90.7	0.437	0.404	0.260	0.352	0.0013

Beam details



Beam angles

Beam angle 50%	Field angle 10%	Cutoff angle 2,5%
11.8°	25°	35.5°

Beam intensities

Peak intensity	Int. ratio in 120° cone	Int. ratio in 90° cone
13942 cd	99.2%	98.4%

Beam intensities from 1-20m

1m	2m	3m	4m	5m	6m	7m	8m	9m	10m	11m	12m	13m	14m	15m	16m	17m	18m	19m	20m
3.3ft	6.6ft	9.8ft	13.1ft	16.4ft	19.7ft	23ft	26.2ft	29.5ft	32.8ft	36.1ft	39.4ft	42.7ft	45.9ft	49.2ft	52.5ft	55.8ft	59.1ft	62.3ft	65.6ft
13942lx	3485lx	1549lx	871lx	558lx	387lx	285lx	218lx	172lx	139lx	115lx	97lx	82lx	71lx	62lx	54lx	48lx	43lx	39lx	35lx
1295.2fcd	323.8fcd	143.9fcd	81fcd	51.8fcd	36fcd	26.4fcd	20.2fcd	16fcd	13fcd	10.7fcd	9fcd	7.7fcd	6.6fcd	5.8fcd	5.1fcd	4.5fcd	4fcd	3.6fcd	3.2fcd

The above information is for 3000K colour temperature, for specific module information please see LED spec located on our website

For information regarding other colour temperatures please use the following factors for lumen output and candelas:

2700K = 1
4000K = 1.084

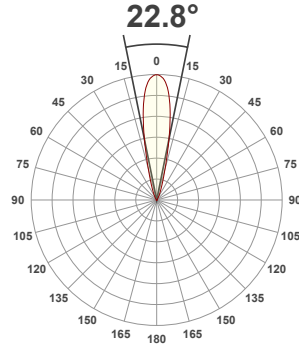
Light efficiency:



Light quality:



Color temperature:



Product name:

TubeLED Mini GEN2, 3000K, 24°

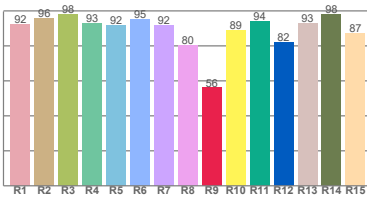
Item number:

7100/2-LED-930-24

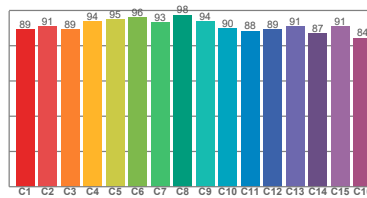
Delivered information for above fixture and LED combination.

Output: 936 Lumen Peak intensity: 4668 cd Power consumption: 14.8

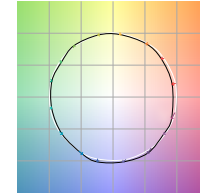
CRI R values



TM30 C Values

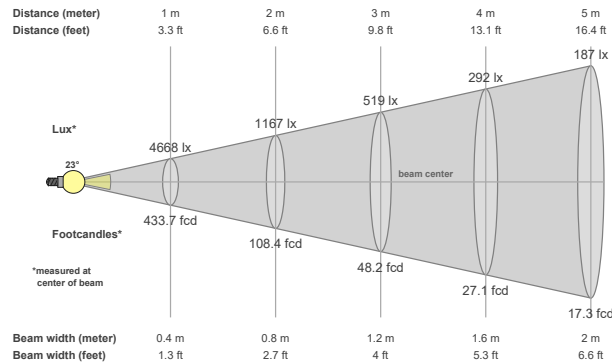


Color vector graphics



Color temperature	Color rendering index	Red component	Color fidelity	Color gamut	Color quality scale	Color coordinate cie 1931	Color coordinate cie 1931	Color coordinate	Color coordinate	Color deviation from black body
CCT	CRI	CRI R9	TM30 Rf	TM30 Rg	CQS	x	y	u	v	Δuv
3000 K	92.3	56.1	91.1	98.4	90.7	0.437	0.404	0.260	0.352	0.0011

Beam details



Beam angles

Beam angle 50%	Field angle 10%	Cutoff angle 2,5%
22.8°	42.1°	63.8°

Beam intensities

Peak intensity	Int. ratio in 120° cone	Int. ratio in 90° cone
4668 cd	99.5%	98.3%

Beam intensities from 1-20m

1m	2m	3m	4m	5m	6m	7m	8m	9m	10m	11m	12m	13m	14m	15m	16m	17m	18m	19m	20m
3.3ft	6.6ft	9.8ft	13.1ft	16.4ft	19.7ft	23ft	26.2ft	29.5ft	32.8ft	36.1ft	39.4ft	42.7ft	45.9ft	49.2ft	52.5ft	55.8ft	59.1ft	62.3ft	65.6ft
4668lx	1167lx	519lx	292lx	187lx	130lx	95lx	73lx	58lx	47lx	39lx	32lx	28lx	24lx	21lx	18lx	16lx	14lx	13lx	12lx
433.7fcd	108.4fcd	48.2fcd	27.1fcd	17.3fcd	12fcd	8.9fcd	6.8fcd	5.4fcd	4.3fcd	3.6fcd	3fcd	2.6fcd	2.2fcd	1.9fcd	1.7fcd	1.5fcd	1.3fcd	1.2fcd	1.1fcd

The above information is for 3000K colour temperature, for specific module information please see LED spec located on our website

For information regarding other colour temperatures please use the following factors for lumen output and candelas:

2700K = 1
4000K = 1.084

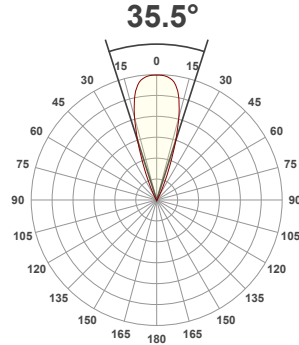
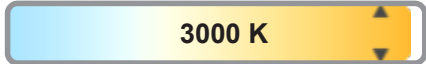
Light efficiency:



Light quality:



Color temperature:



Product name:

TubeLED Mini GEN2, 3000K, 38°

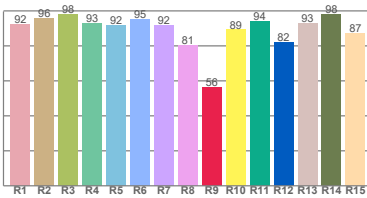
Item number:

7100/2-LED-930-38

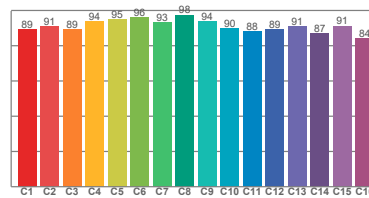
Delivered information for above fixture and LED combination.

Output: 1049 Lumen Peak intensity: 2911 cd Power consumption: 14.8

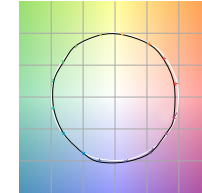
CRI R values



TM30 C Values

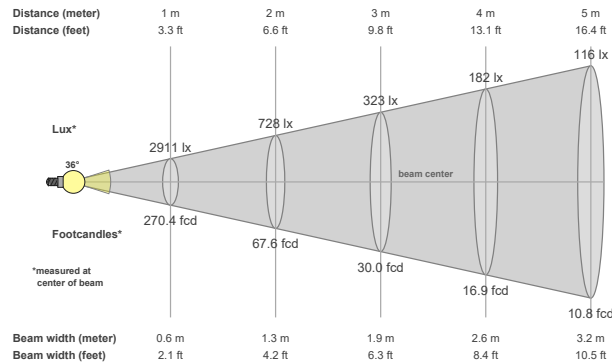


Color vector graphics



Color temperature	Color rendering index	Red component	Color fidelity	Color gamut	Color quality scale	Color coordinate cie 1931	Color coordinate cie 1931	Color coordinate	Color coordinate	Color deviation from black body
CCT	CRI	CRI R9	TM30 Rf	TM30 Rg	CQS	x	y	u	v	Δuv
3000 K	92.4	56.3	91.1	98.4	90.7	0.437	0.404	0.260	0.352	0.0011

Beam details



Beam angles

Beam angle 50%	Field angle 10%	Cutoff angle 2,5%
35.5°	52.5°	67.7°

Beam intensities

Peak intensity	Int. ratio in 120° cone	Int. ratio in 90° cone
2911 cd	99.3%	98.5%

Beam intensities from 1-20m

1m	2m	3m	4m	5m	6m	7m	8m	9m	10m	11m	12m	13m	14m	15m	16m	17m	18m	19m	20m
3.3ft	6.6ft	9.8ft	13.1ft	16.4ft	19.7ft	23ft	26.2ft	29.5ft	32.8ft	36.1ft	39.4ft	42.7ft	45.9ft	49.2ft	52.5ft	55.8ft	59.1ft	62.3ft	65.6ft
2911lx	728lx	323lx	182lx	116lx	81lx	59lx	45lx	36lx	29lx	24lx	20lx	17lx	15lx	13lx	11lx	10lx	9lx	8lx	7lx
270.4fcd	67.6fcd	30fcd	16.9fcd	10.8fcd	7.5fcd	5.5fcd	4.2fcd	3.3fcd	2.7fcd	2.2fcd	1.9fcd	1.6fcd	1.4fcd	1.2fcd	1.1fcd	0.9fcd	0.8fcd	0.7fcd	0.7fcd

The above information is for 3000K colour temperature, for specific module information please see LED spec located on our website

For information regarding other colour temperatures please use the following factors for lumen output and candelas:

2700K = 1

4000K = 1.084

Light efficiency:

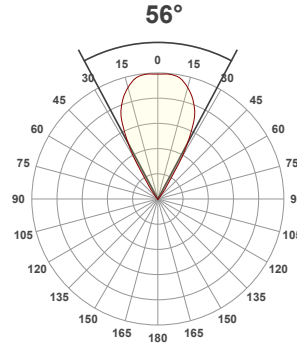
73 Lumen/Watt

Light quality:

CRI: 91.7

Color temperature:

3000 K



Product name:

TubeLED Mini GEN2

3000K 55° 350mA

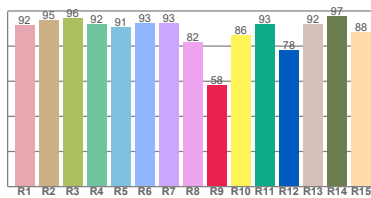
Item number:

7100/2-30-55-350mA

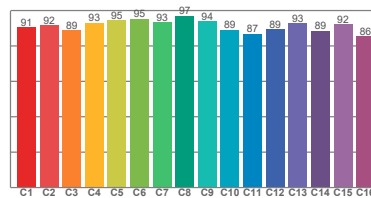
Delivered information for above fixture and LED combination.

Output: 997 Lumen Peak intensity: 1324 cd Power consumption: 13.6

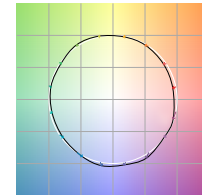
CRI R values



TM30 C Values

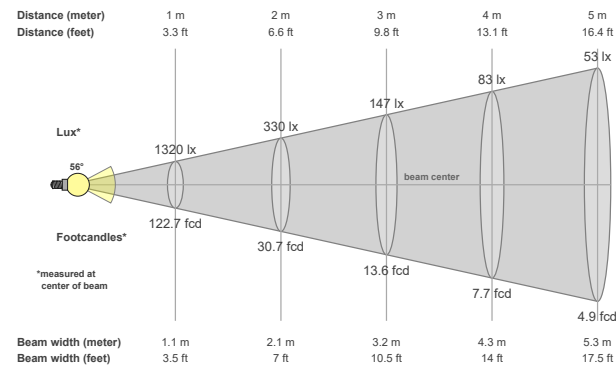


Color vector graphics



Color temperature	Color rendering index	Red component	Color fidelity	Color gamut	Color quality scale	Color coordinate cie 1931	Color coordinate cie 1931	Color coordinate	Color coordinate	Color deviation from black body
CCT	CRI	CRI R9	TM30 Rf	TM30 Rg	CQS	x	y	u	v	Δuv
3000 K	91.7	58.0	91.3	99.3	90.2	0.437	0.404	0.251	0.348	0.0008

Beam details



Beam angles

Beam angle 50%	Field angle 10%	Cutoff angle 2,5%
56°	72°	85.3°

Beam intensities

Peak intensity	Int. ratio in 120° cone	Int. ratio in 90° cone
1324 cd	99.7%	98.7%

Beam intensities from 1-20m

1m	2m	3m	4m	5m	6m	7m	8m	9m	10m	11m	12m	13m	14m	15m	16m	17m	18m	19m	20m
3.3ft	6.6ft	9.8ft	13.1ft	16.4ft	19.7ft	23ft	26.2ft	29.5ft	32.8ft	36.1ft	39.4ft	42.7ft	45.9ft	49.2ft	52.5ft	55.8ft	59.1ft	62.3ft	65.6ft
1320lx	330lx	147lx	83lx	53lx	37lx	27lx	21lx	16lx	13lx	11lx	9lx	8lx	7lx	6lx	5lx	5lx	4lx	4lx	3lx
122.7fcd	30.7fcd	13.6fcd	7.7fcd	4.9fcd	3.4fcd	2.5fcd	1.9fcd	1.5fcd	1.2fcd	1fcd	0.9fcd	0.7fcd	0.6fcd	0.5fcd	0.5fcd	0.4fcd	0.4fcd	0.3fcd	0.3fcd

The above information is for 3000K colour temperature, for specific module information please see LED spec located on our website

For information regarding other colour temperatures please use the following factors for lumen output and candelas:

2700K = 1
4000K = 1.084