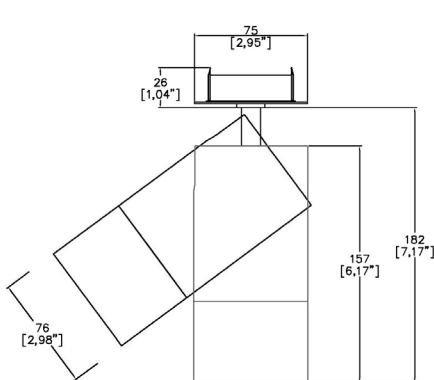


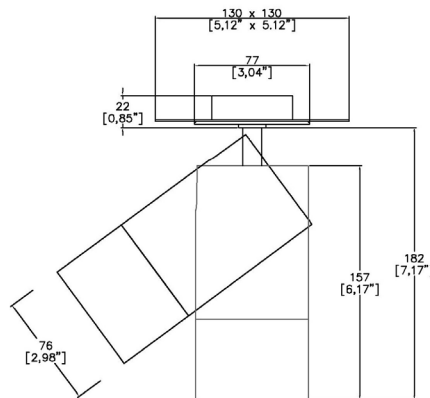
ProSpex TubeLED Midi



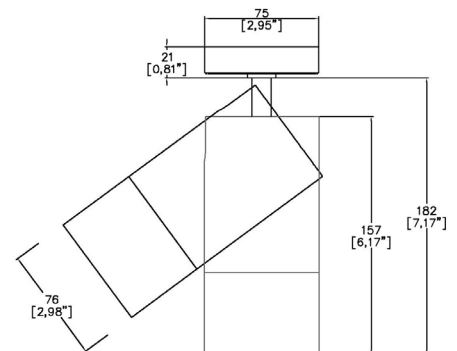
76mm (2.98") overall diameter. LED spotlight with remote driver. Available with monopoint mounting and 3 circuit track adaptor. Family of matching products also available.



9100/2-LED-RMP



9100/2-LED-TMP



9100/2-LED-SMP

LED Source	LED	LED	LED
CCT	3000K	3000K	3000K
Drive Current	500mA	500mA	500mA
Power inc Driver	19.4W	19.4W	19.4W
Beam Angle	12°	19°	34°
Delivered Lumens	1366	1139	1194
Delivered Intensisty cd	17236	6625	2978
Efficacy lm/w	70	59	62
Forward Volt	33V	33V	33V
CRI	≥90 CRI	≥90 CRI	≥90 CRI

Project Ref: _____

Location Ref: _____

Fixture Order Code: **9100/2-LED** - - - - - -

Fixture
9100/2-LED

TubeLED Midi

CCT

927
930
940

90 CRI 2700K
90 CRI 3000K
90 CRI 4000K

Beam

12
19
34

12°
19°
34°

Protocol (Remote Driver)

S Non-Dim
P Phase
A Analogue (0-10v)
D DALI
B Bluetooth**

Colour Insert

SN Satin Nickel
SG Satin Gold
CP Copper
BZ Bronze
(Blank) Not required standard black to be supplied

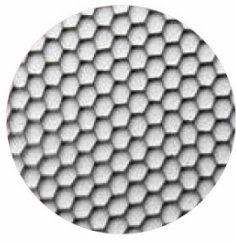
Finish

WH White
BK Black
RAL Custom RAL Finish

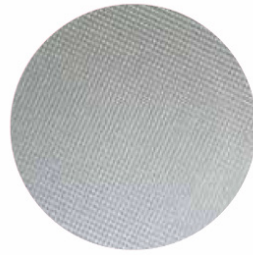
Fixing

RMP Recessed Monopoint
TMP Trimless Monopoint
SMP Surface Monopoint

Please refer to installation instruction for wiring diagram and cable distances



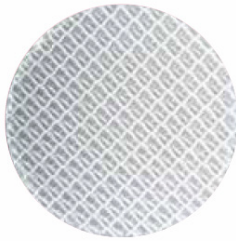
Honeycomb Louvre



Diffusing Lens



Frosted Lens



Heavy Spread Lens



Linear Spread Lens



Warm Tone

Accessories Order Code:

Louvre/Lens

- MG45 Honeycomb Louvre
- MGCC Warm Tone Lens
- MGUV UV Lens
- MGDF Diffusing Lens
- MGFR Frosted Lens
- MGLS Linear Spread Lens
- MGHS Heavy Spread Lens

Technical Details

*Custom RAL code must be specified. Custom RAL colours can increase prices and lead times

Dimming. Whilst Lucent can offer the majority of its luminaires with various dimming options, it remains the responsibility of the specifier/installer to check and ensure compatibility of any control equipment used. Additional cabling may be required depending on the dimming protocol specified.

**Bluetooth (wireless) is the communication method. The exact dimming protocol must be confirmed to allow the selection of suitable bluetooth devices, which may need to be mounted remotely from the spotlight.

First Fix Requirement. Please refer to installation instructions for for first fix requirements for the monopoint types.
IP Rating. Tested from underside of the ceiling

It is the policy of Lucent Lighting to continually review and improve its products and therefore reserve the right to change any details of product or withdraw specifications without prior notice.

Luminaires designed to comply with EN60598 and all other standards.

This specification sheet superseded all previous versions.

All intellectual property rights pertaining to the product described above and to this document are owned by or licensed to Lucent Lighting Ltd.

We reserve the right to take whatever action is necessary to protect those intellectual property rights.

Please notify Lucent Lighting Ltd of any inaccuracies immediately. E&OE

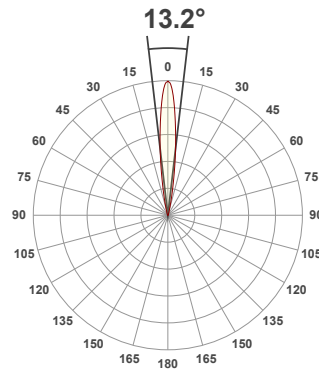
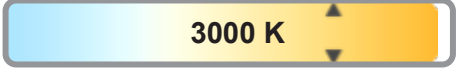
Light efficiency:



Light quality:



Color temperature:



Product name:

**TubeLED Midi GEN2 3000K 12°
500mA**

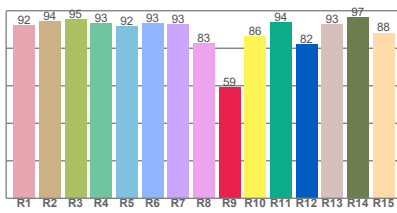
Item number:

9100_2-LED-930-12-500mA

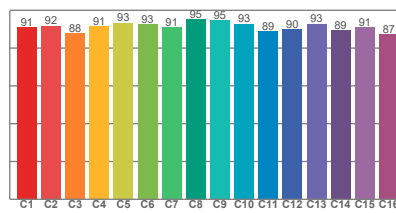
**Delivered information for
above fixture and LED
combination.**

Output: 1366 Lumen Peak intensity: 17236 cd Power consumption: 19.4

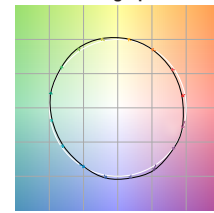
CRI R values



TM30 C Values

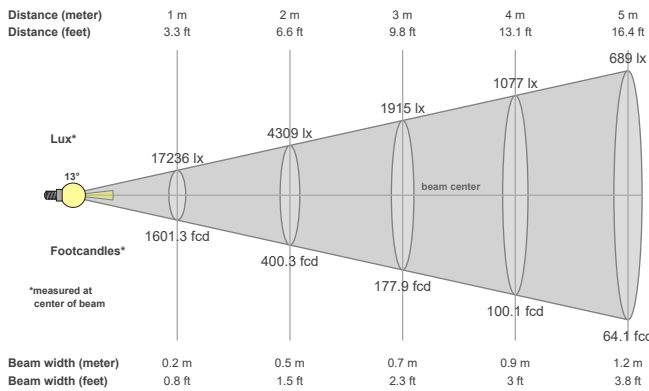


Color vector graphics



Color temperature	Color rendering index	Red component	Color fidelity	Color gamut	Color quality scale	Color coordinate cie 1931	Color coordinate cie 1931	Color coordinate	Color coordinate	Color deviation from black body
CCT	CRI	CRI R9	TM30 Rf	TM30 Rg	CQS	x	y	u	v	Δuv
3000 K	92.0	59.5	91.3	100.9	90.2	0.437	0.404	0.251	0.348	0.0002

Beam details



Beam angels

Beam angle 50%	Field angle 10%	Cutoff angle 2,5%
13.2°	25.5°	37.8°

Beam intensities

Peak intensity	Int. ratio in 120° cone	Int. ratio in 90° cone
17236 cd	99.2%	97.6%

Beam intensities from 1-20m

1m	2m	3m	4m	5m	6m	7m	8m	9m	10m	11m	12m	13m	14m	15m	16m	17m	18m	19m	20m
3.3ft	6.6ft	9.8ft	13.1ft	16.4ft	19.7ft	23ft	26.2ft	29.5ft	32.8ft	36.1ft	39.4ft	42.7ft	45.9ft	49.2ft	52.5ft	55.8ft	59.1ft	62.3ft	65.6ft
17236lx	4309lx	1915lx	1077lx	689lx	479lx	352lx	269lx	213lx	172lx	142lx	120lx	102lx	88lx	77lx	67lx	60lx	53lx	48lx	43lx
1601.3fcd	400.3fcd	177.9fcd	100.1fcd	64.1fcd	44.5fcd	32.7fcd	25fcd	19.8fcd	16fcd	13.2fcd	11.1fcd	9.5fcd	8.2fcd	7.1fcd	6.3fcd	5.5fcd	4.9fcd	4.4fcd	4fcd

The above information is for 3000K colour temperature, for specific module information please see LED spec located on our website

For information regarding other colour temperatures please use the following factors for lumen output and candelas:

2700K = 1
4000K = 1.084

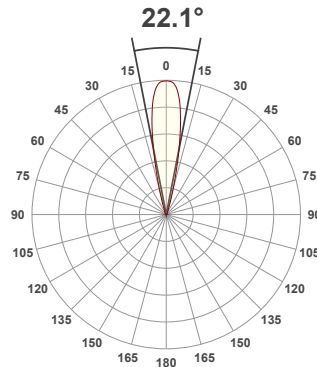
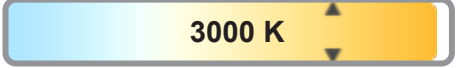
Light efficiency:



Light quality:



Color temperature:



Product name:

TubeLED Midi GEN2 3000K 19° 500mA

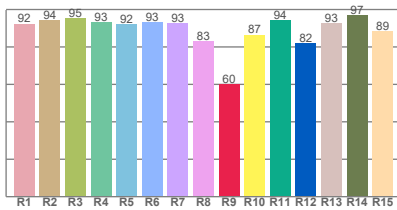
Item number:

9100_2-LED-930-19-500mA

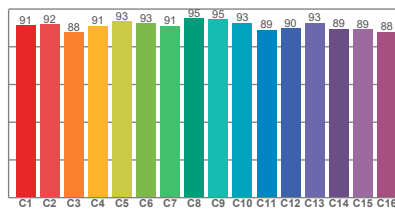
Delivered information for above fixture and LED combination.

Output: 1139 Lumen Peak intensity: 6625 cd Power consumption: 19.4

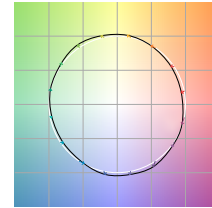
CRI R values



TM30 C Values

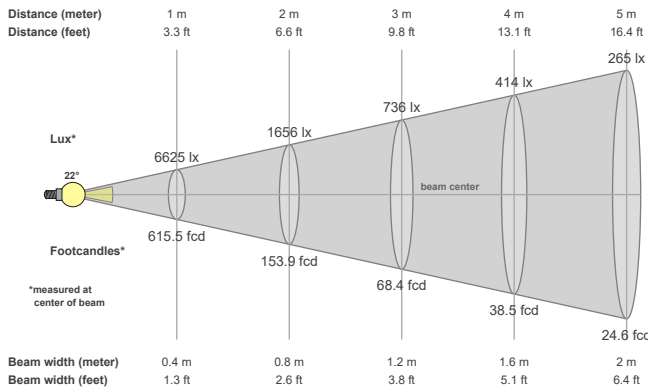


Color vector graphics



Color temperature	Color rendering index	Red component	Color fidelity	Color gamut	Color quality scale	Color coordinate cie 1931	Color coordinate cie 1931	Color coordinate	Color coordinate	Color deviation from black body
CCT	CRI	CRI R9	TM30 Rf	TM30 Rg	CQS	x	y	u	v	Δuv
3000 K	92.1	60.0	91.3	101.1	90.2	0.437	0.404	0.251	0.348	-0.0001

Beam details



Beam angles

Beam angle 50%	Field angle 10%	Cutoff angle 2,5%
22.1°	35.7°	54°

Beam intensities

Peak intensity	Int. ratio in 120° cone	Int. ratio in 90° cone
6625 cd	99.5%	97.9%

Beam intensities from 1-20m

1m	2m	3m	4m	5m	6m	7m	8m	9m	10m	11m	12m	13m	14m	15m	16m	17m	18m	19m	20m
3.3ft	6.6ft	9.8ft	13.1ft	16.4ft	19.7ft	23ft	26.2ft	29.5ft	32.8ft	36.1ft	39.4ft	42.7ft	45.9ft	49.2ft	52.5ft	55.8ft	59.1ft	62.3ft	65.6ft
6625lx	1656lx	736lx	414lx	265lx	184lx	135lx	104lx	82lx	66lx	55lx	46lx	39lx	34lx	29lx	26lx	23lx	20lx	18lx	17lx
615.5fcd	153.9fcd	68.4fcd	38.5fcd	24.6fcd	17.1fcd	12.6fcd	9.6fcd	7.6fcd	6.2fcd	5.1fcd	4.3fcd	3.6fcd	3.1fcd	2.7fcd	2.4fcd	2.1fcd	1.9fcd	1.7fcd	1.5fcd

The above information is for 3000K colour temperature, for specific module information please see LED spec located on our website

For information regarding other colour temperatures please use the following factors for lumen output and candelas:

2700K = 1
4000K = 1.084

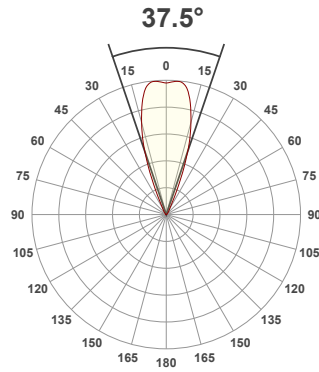
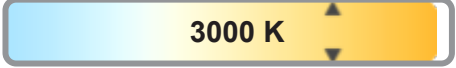
Light efficiency:



Light quality:



Color temperature:



Product name:

**TubeLED Midi GEN2 3000K 34°
500mA**

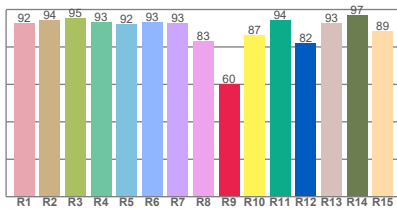
Item number:

9100_2-LED-930-34-500mA

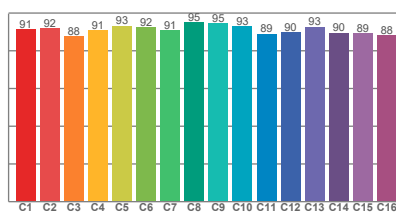
**Delivered information for
above fixture and LED
combination.**

Output: 1194 Lumen Peak intensity: 2978 cd Power consumption: 19.4

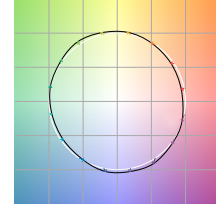
CRI R values



TM30 C Values

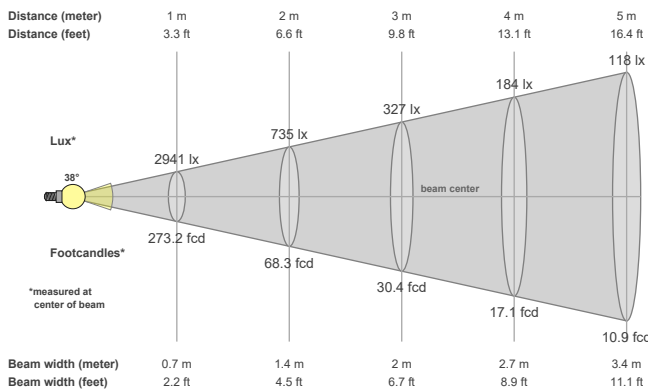


Color vector graphics



Color temperature	Color rendering index	Red component	Color fidelity	Color gamut	Color quality scale	Color coordinate cie 1931	Color coordinate cie 1931	Color coordinate	Color coordinate	Color deviation from black body
CCT	CRI	CRI R9	TM30 Rf	TM30 Rg	CQS	x	y	u	v	Δuv
3000 K	92.1	60.1	91.3	101.2	90.2	0.437	0.404	0.251	0.348	-0.0002

Beam details



Beam angles

Beam angle 50%	Field angle 10%	Cutoff angle 2,5%
37.5°	52.8°	79.3°

Beam intensities

Peak intensity	Int. ratio in 120° cone	Int. ratio in 90° cone
2978 cd	99.2%	97.6%

Beam intensities from 1-20m

1m	2m	3m	4m	5m	6m	7m	8m	9m	10m	11m	12m	13m	14m	15m	16m	17m	18m	19m	20m
3.3ft	6.6ft	9.8ft	13.1ft	16.4ft	19.7ft	23ft	26.2ft	29.5ft	32.8ft	36.1ft	39.4ft	42.7ft	45.9ft	49.2ft	52.5ft	55.8ft	59.1ft	62.3ft	65.6ft
2941lx	735lx	327lx	184lx	118lx	82lx	60lx	46lx	36lx	29lx	24lx	20lx	17lx	15lx	13lx	11lx	10lx	9lx	8lx	7lx
273.2fcd	68.3fcd	30.4fcd	17.1fcd	10.9fcd	7.6fcd	5.6fcd	4.3fcd	3.4fcd	2.7fcd	2.3fcd	1.9fcd	1.6fcd	1.4fcd	1.2fcd	1.1fcd	0.9fcd	0.8fcd	0.8fcd	0.7fcd

The above information is for 3000K colour temperature, for specific module information please see LED spec located on our website

For information regarding other colour temperatures please use the following factors for lumen output and candelas:

2700K = 1
4000K = 1.084