



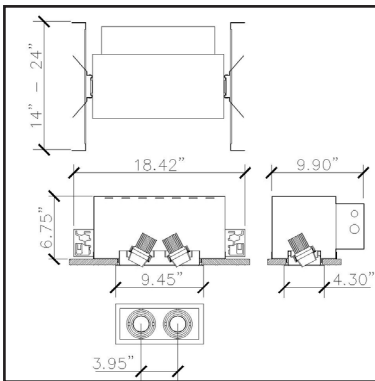
lucent®

ProSpex Gimbal Mini Gimbal Mini Twin Fixture

The ProSpex fully adjustable trimmed gimbal fixtures, ideal for high end retail or hospitality applications where flexibility is required. Also available in single and other multiple permutations, up to three modules as standard, that allows uniformity in the ceiling of multiple heads in one recessed housing. Minimal ceiling trim for a clean ceiling line. The range utilises many MR16 sized light sources including Lucent's own LED50 series of modules.

- Butterfly brackets fitted for commercial installation
- Minimal ceiling trim
- Die cast Gimbal Heads
- Integral compartment for electrical hardware
- Electrical compartment accessible through ceiling aperture
- Maximum tilt 35° in certain directions
- Anti glare snoots as standard
- Each head accepts 2 media accessories
- Front loading lenses and louvres
- Black and White combinations as standard

Flanged

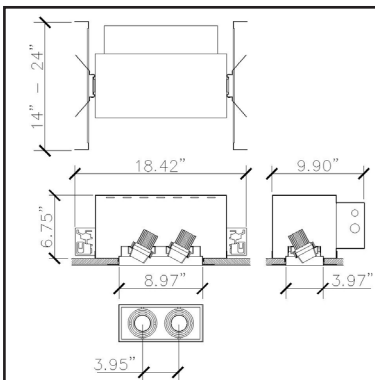


Gimbal Mini Twin Flanged

A216-LED-TR

- Ceiling kit with overlap flange

Flangeless



Gimbal Mini Twin Flangeless

A216-LED-TL

- Mud-in kit for seamless flush finish

LED50 ONE Ambiance WarmDim

Information*

LED Type	LED51WD	
CCT	3000K	
Drive Current	500mA	
Power inc Driver	17.1W	
Beam Angle	28°	39°
Delivered Lumens	592	679
Intensity cd	1839	1281
Efficacy lm/w	35	40
Forward Volt	29.1V	
CRI	≥95 CRI	

The results in the table is for 3000K color temperature, for specific module information please see LED spec located on our website

For information regarding other color temperatures please use the following factors for lumen output and candelas:

2700K = 0.93

*Data correct at time of publishing

LED Module Order Code: **LED51WD** - -

Lamp
LED51WD

LED50 ONE Ambiance WarmDim

CCT
2720
3020

2700K - 2000K
3000K - 2000K

Beam
28
39

28°
39°

Fixture Order Code: A216 - - - - - -

Fixture
A216 ProSpex Gimbal Mini Twin for LED50 Series

LED
LED51WD LED50 ONE Ambiance WarmDim

Flange
TR Flange
TL Flangeless

Gimbal Finish
WH White
BK Black

Housing Finish
WH White
BK Black

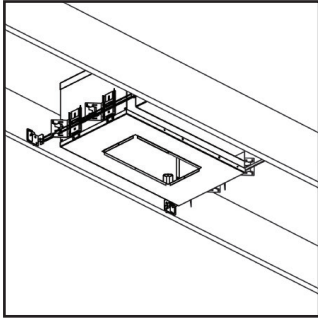
Flange/Flangeless Finish
WH White
BK Black

Ceiling Thickness
12 1/2"
58 5/8"
75 3/4"
C Custom

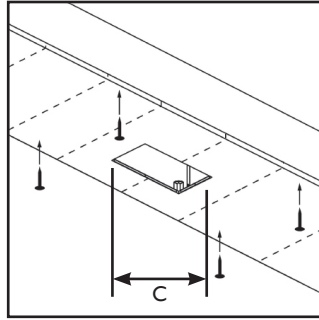
Installation Instructions

For Insulated and Non-Insulated Ceiling type installations

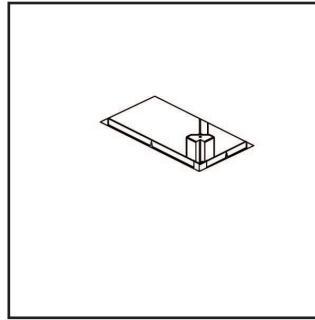
 **MAINS POWER TO BE SWITCHED OFF DURING INSTALLATION.**



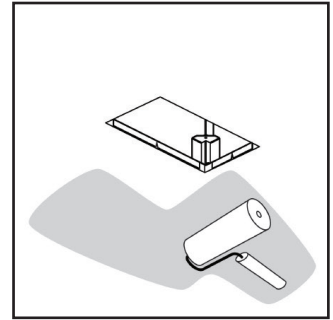
1. Fixing of housing



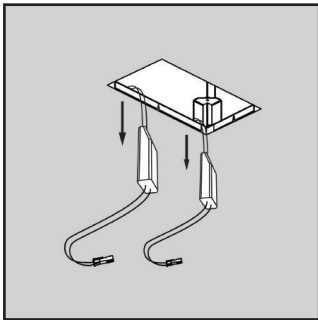
2. Plasterboard installation
Cutout (C): 9.05" x 3.89" (230 x 99mm)



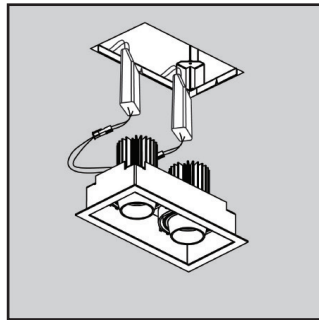
3. Finish ceiling face



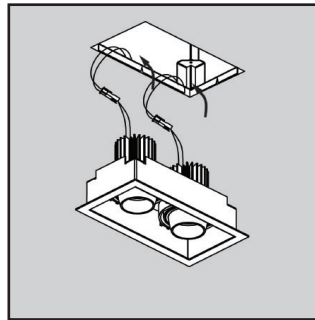
4. Paint and allow to dry fully



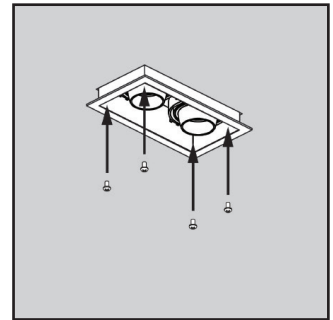
5. Dropdown of power supply



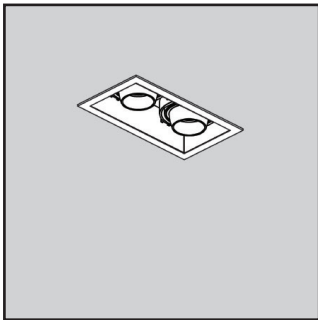
6. Fixture wiring connection



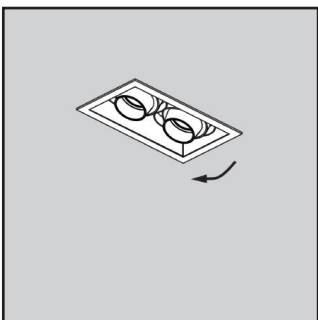
7. Power supply re-installation



8. Align fixture and Install



9. Finished Installation



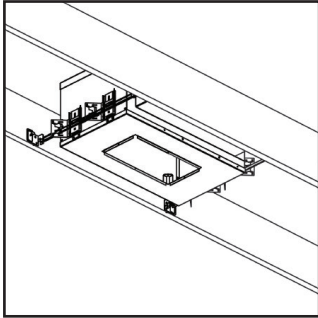
10. Adjust tilt

Installation Instructions

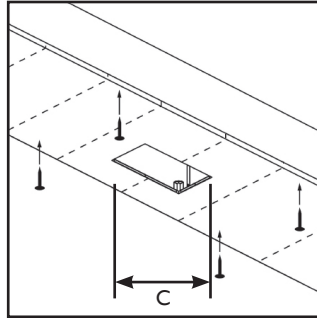
For Insulated and Non-Insulated Ceiling type installations



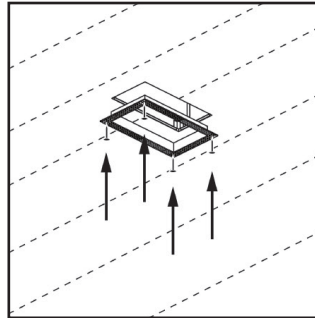
MAINS POWER TO BE SWITCHED OFF DURING INSTALLATION.



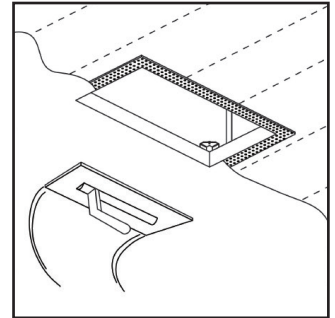
1. Fixing of housing



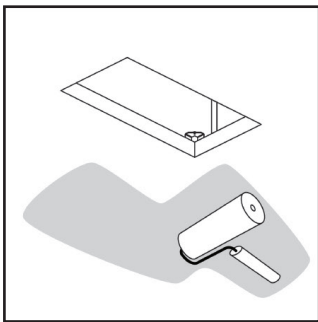
2. Plasterboard installation
Cutout (C): 9.37" x 4.37" (238 x 111mm)



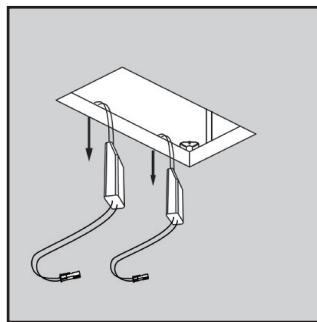
3. Trimless mud in kit installation



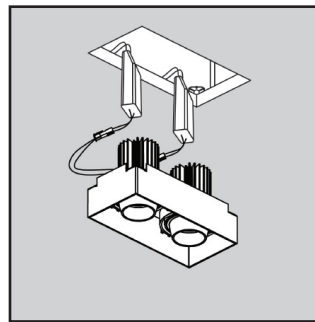
4. Mud in and allow to dry fully



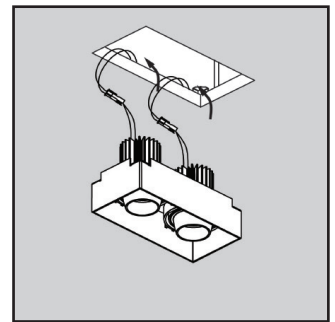
5. Paint and allow to dry fully



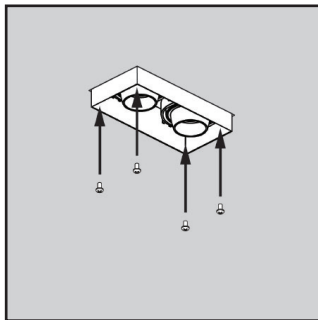
6. Dropdown of power supply



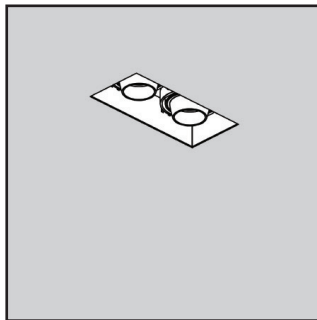
7. Fixture wiring connection



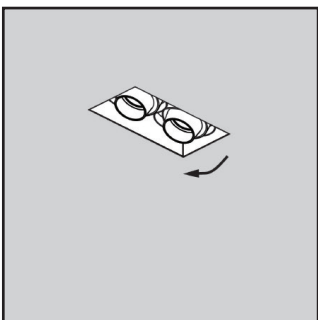
8. Power supply re-installation



9. Align fixture with trimless kit and install



10. Finished Installation



11. Adjust tilt