



# lucent®

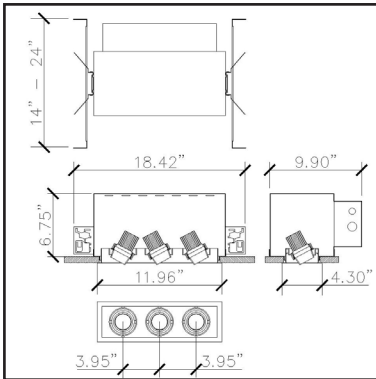
## ProSpex Gimbal Mini

### Gimbal Mini Triple Fixture

The ProSpex fully adjustable trimmed gimbal fixtures, ideal for high end retail or hospitality applications where flexibility is required. Also available in single and other multiple permutations, up to three modules as standard, that allows uniformity in the ceiling of multiple heads in one recessed housing. Minimal ceiling trim for a clean ceiling line. The range utilises many MR16 sized light sources including Lucent's own LED50 series of modules.

- Butterfly brackets fitted for commercial installation
- Minimal ceiling trim
- Die cast Gimbal Heads
- Integral compartment for electrical hardware
- Electrical compartment accessible through ceiling aperture
- Maximum tilt 35° in certain directions
- Anti glare snoots as standard
- Each head accepts 2 media accessories
- Front loading lenses and louvres
- Black and White combinations as standard

#### Flanged

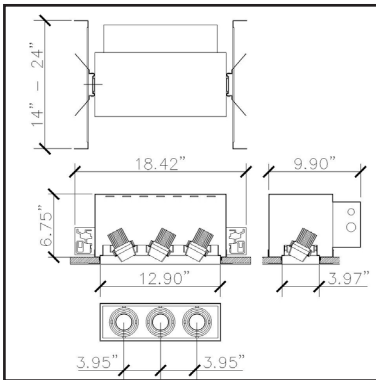


Gimbal Mini Triple Flanged

#### A316-LED-TR

- Ceiling kit with overlap flange

#### Flangeless



Gimbal Mini Triple Flangeless

#### A316-LED-TL

- Mud-in kit for seamless flush finish

## LED50 ONE Tuneable White

### Information\*

LED Type	LED51TW	
CCT range 5000K-2000K	@ 3000K	
Drive Current (max per channel)	700mA	
Power inc Driver Max	15.1W	
Beam Angle	25°	35°
Delivered Lumens	535	611
Intensity cd	1952	1241
Efficacy lm/w	35	40
Forward Volt (max per channel)	18.4V	
CRI	≥95 CRI	

The results in the table are tested at 3000K. Factors to adjust lumen output for the following CCTs at 100% output for the color are as follows:

2000K = 0.67

2700K = 0.84

3500K = 1.085

4000K = 1.113

5000K = 1.087

\*Data correct at time of publishing

LED Module Order Code: **LED51TW** - **5020** -

Lamp  
LED51TW

LED50 ONE Tuneable White

CCT  
5020

5000K - 2000K

Beam  
25  
35

25°  
35°

Fixture Order Code: A316 -   -   -   -   -   -  

**Fixture**  
**A316** ProSpex Gimbal Mini Triple for LED50 Series

**LED**  
**LED51TW** LED50 ONE Tuneable White

**Flange**  
**TR** Flange  
**TL** Flangeless

**Gimbal Finish**  
**WH** White  
**BK** Black

**Housing Finish**  
**WH** White  
**BK** Black

**Flange/Flangeless Finish**  
**WH** White  
**BK** Black

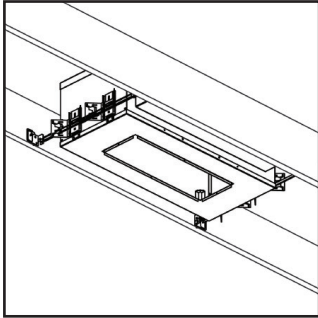
**Ceiling Thickness**  
**12** 1/2"  
**58** 5/8"  
**75** 3/4"  
**C** Custom

## Installation Instructions

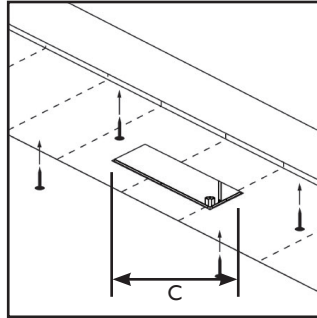
For Insulated and Non-Insulated Ceiling type installations



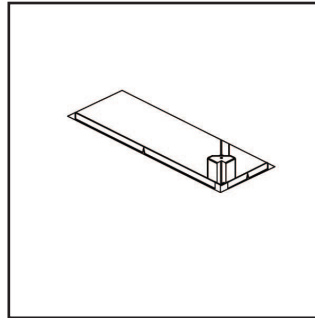
**MAINS POWER TO BE SWITCHED OFF DURING INSTALLATION.**



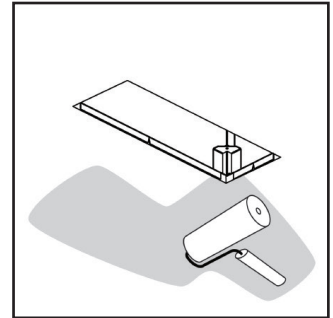
1. Fixing of housing



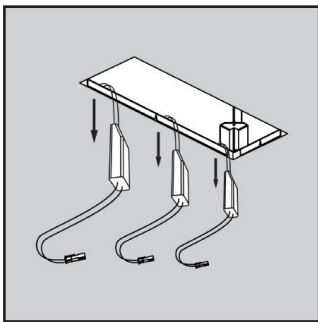
2. Plasterboard installation  
Cutout (C): 12.99" x 3.89" (330 x 99mm)



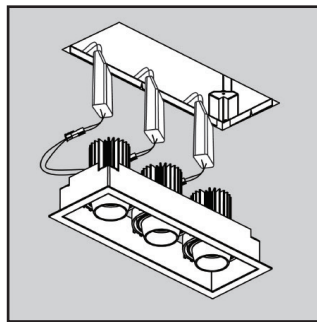
3. Finish ceiling face



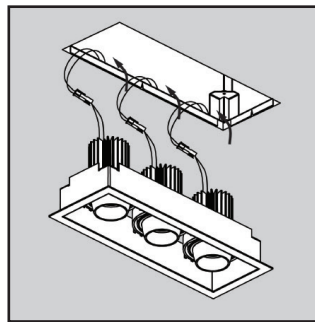
4. Paint and allow to dry fully



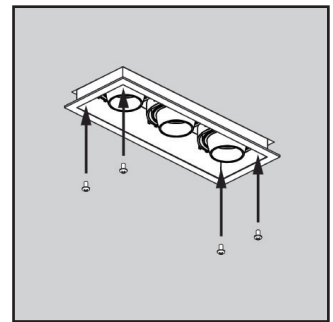
5. Dropdown of power supply



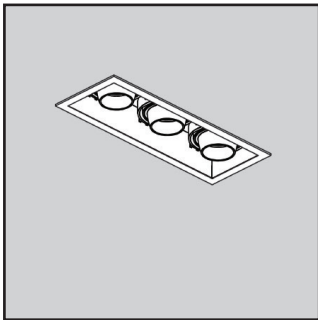
6. Fixture wiring connection



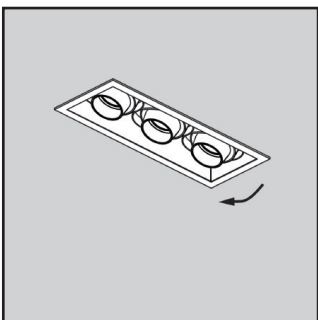
7. Power supply re-installation



8. Align fixture and Install



9. Finished Installation

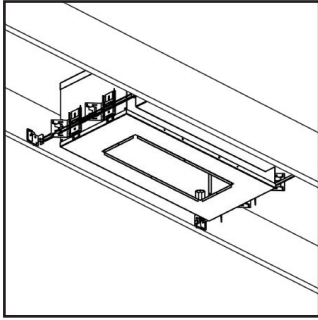


10. Adjust tilt

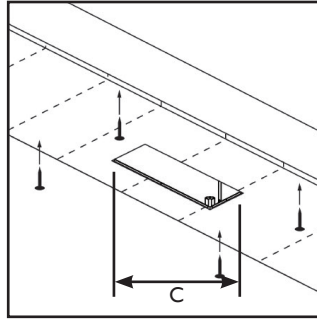
## Installation Instructions

For Insulated and Non-Insulated Ceiling type installations

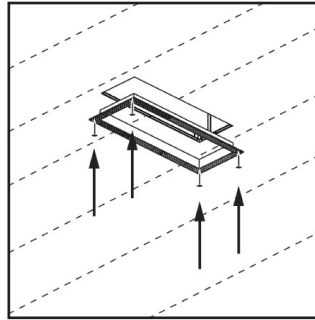
**! MAINS POWER TO BE SWITCHED OFF DURING INSTALLATION.**



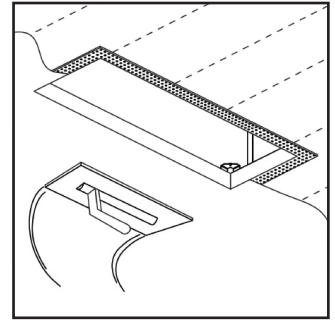
1. Fixing of housing



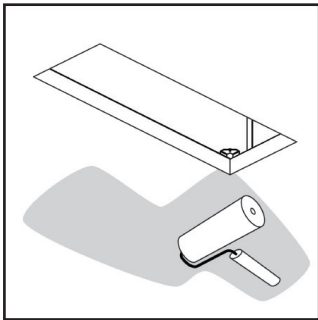
2. Plasterboard installation  
Cutout (C): 13.30" x 4.37" (338 x 111mm)



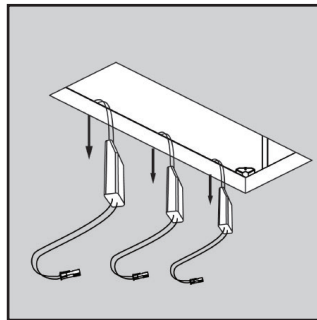
3. Trimless mud in kit installation



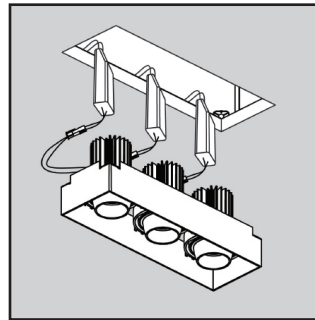
4. Mud in and allow to dry fully



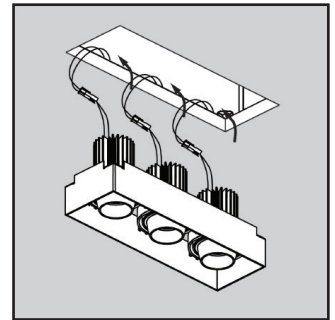
5. Paint and allow to dry fully



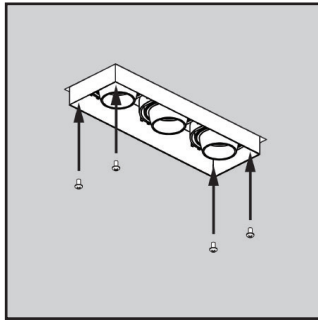
6. Dropdown of power supply



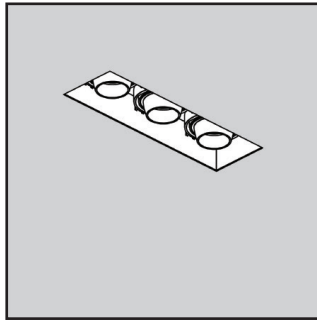
7. Fixture wiring connection



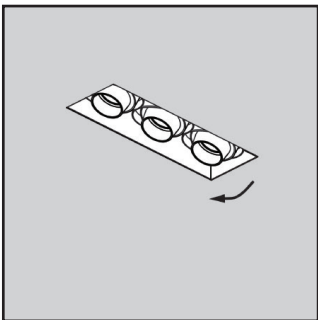
8. Power supply re-installation



9. Align fixture with trimless kit and Install



10. Finished Installation



11. Adjust tilt