



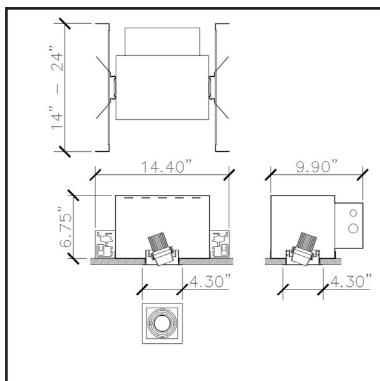
# lucent®

## ProSpex Gimbal Mini Gimbal Mini Single Fixture

The ProSpex fully adjustable trimmed gimbal fixtures, ideal for high end retail or hospitality applications where flexibility is required. Also available in single and other multiple permutations, up to three modules as standard, that allows uniformity in the ceiling of multiple heads in one recessed housing. Minimal ceiling trim for a clean ceiling line. The range utilises many MR16 sized light sources including Lucent's own LED50 series of modules.

- Butterfly brackets fitted for commercial installation
- Minimal ceiling trim
- Die cast Gimbal Heads
- Integral compartment for electrical hardware
- Electrical compartment accessible through ceiling aperture
- Maximum tilt 35° in certain directions
- Anti glare snoots as standard
- Each head accepts 2 media accessories
- Front loading lenses and louvres
- Black and White combinations as standard

### Flanged

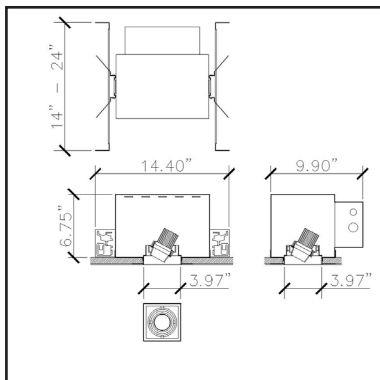


Gimbal Mini Single Flanged

#### A116-LED-TR

- Ceiling kit with overlap flange

### Flangeless



Gimbal Mini Single Flangeless

#### A116-LED-TL

- Mud-in kit for seamless flush finish

## LED50 ONE Ambiance WarmDim

### Information\*

LED Type	LED51WD	
CCT	3000K	
Drive Current	500mA	
Power inc Driver	17.1W	
Beam Angle	28°	39°
Delivered Lumens	592	679
Intensity cd	1839	1281
Efficacy lm/w	35	40
Forward Volt	29.1V	
CRI	≥95 CRI	

The results in the table is for 3000K color temperature, for specific module information please see LED spec located on our website

For information regarding other color temperatures please use the following factors for lumen output and candelas:

2700K = 0.93

\*Data correct at time of publishing

LED Module Order Code: **LED51WD** -  -

Lamp  
LED51WD

LED50 ONE Ambiance WarmDim

CCT  
2720  
3020

2700K - 2000K  
3000K - 2000K

Beam  
28  
39

28°  
39°

Fixture Order Code: A116 -   -   -   -   -   -  

**Fixture**  
A116 ProSpex Gimbal Mini Single for LED50 Series

**LED**  
LED51WD LED50 ONE Ambiance WarmDim

**Flange**  
TR Flange  
TL Flangeless

**Gimbal Finish**  
WH White  
BK Black

**Housing Finish**  
WH White  
BK Black

**Flange/Flangeless Finish**  
WH White  
BK Black

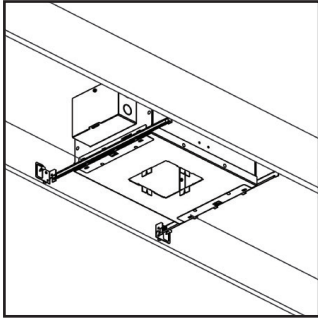
**Ceiling Thickness**  
12 1/2"  
58 5/8"  
75 3/4"  
C Custom

## Installation Instructions for Gimbal Mini Flange with Housing

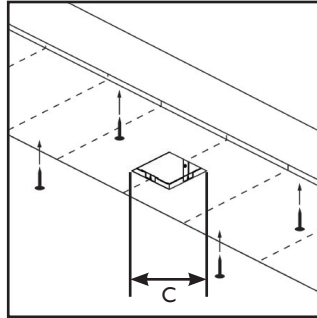
For Insulated and Non-Insulated Ceiling type installations



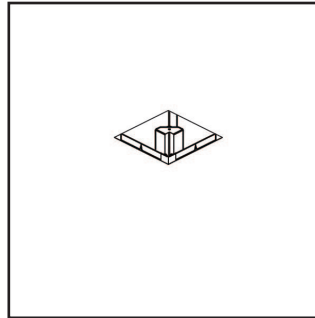
**MAINS POWER TO BE SWITCHED OFF DURING INSTALLATION.**



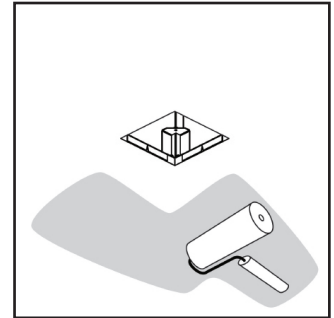
1. Fixing of housing



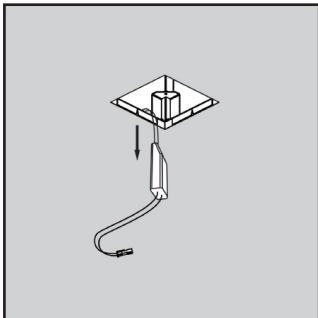
2. Plasterboard installation  
Cutout (C): 3.89" x 3.89" (99 x 99mm)



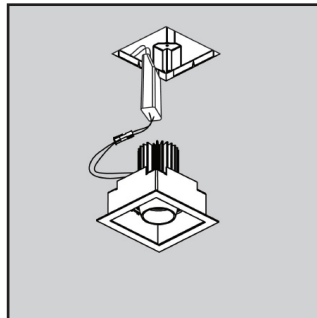
3. Finish ceiling face



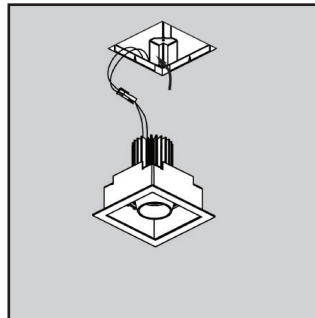
4. Paint and allow to dry fully



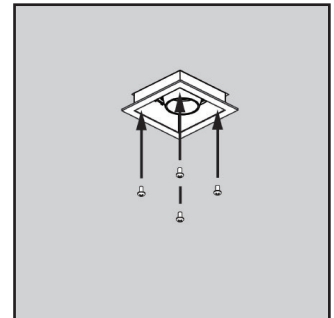
5. Dropdown of power supply



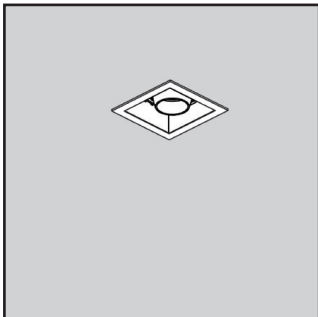
6. Fixture wiring connection



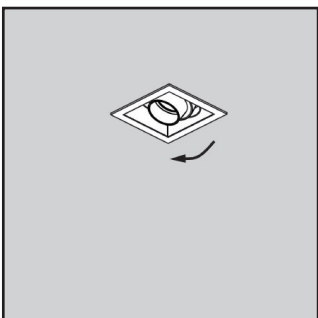
7. Power supply re-installation



8. Align fixture and Install



9. Finished Installation



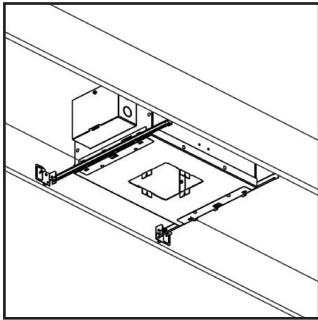
10. Adjust tilt

## Installation Instructions for Gimbal Mini Flangeless with Housing

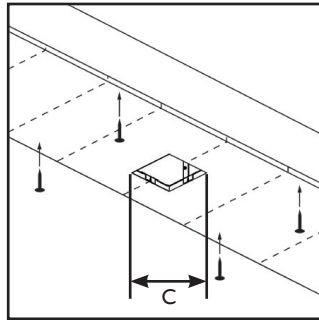
For Insulated and Non-Insulated Ceiling type installations



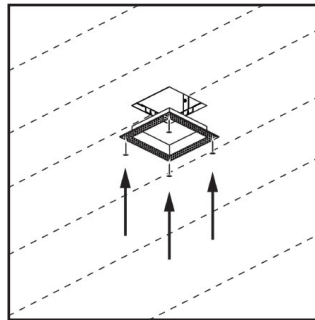
**MAINS POWER TO BE SWITCHED OFF DURING INSTALLATION.**



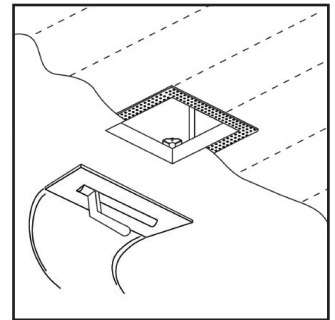
1. Fixing of housing



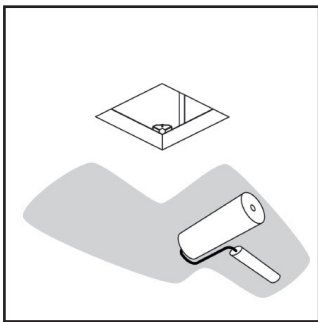
2. Plasterboard installation  
Cutout (C): 4.37" x 4.37" (111 x 111mm)



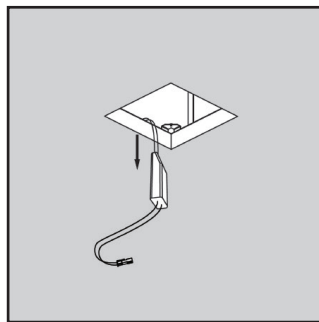
3. Trimless mud in kit installation



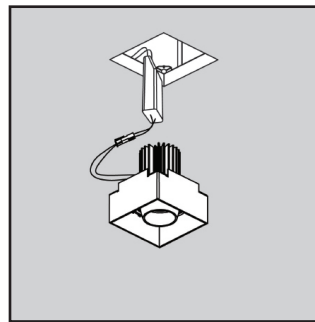
4. Mud in and allow to dry fully



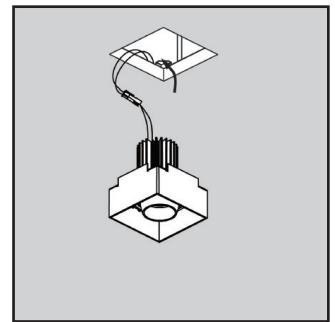
5. Paint and allow to dry fully



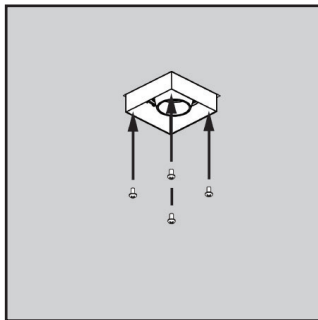
6. Dropdown of power supply



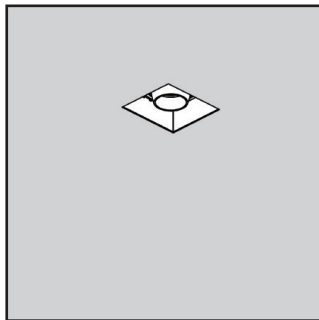
7. Fixture wiring connection



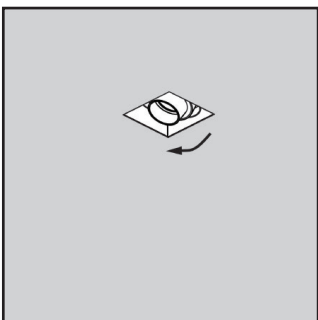
8. Power supply re-installation



9. Align fixture with trimless kit and install



10. Finished Installation



11. Adjust tilt