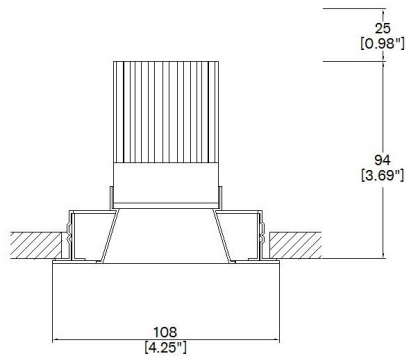


Duo Fixed



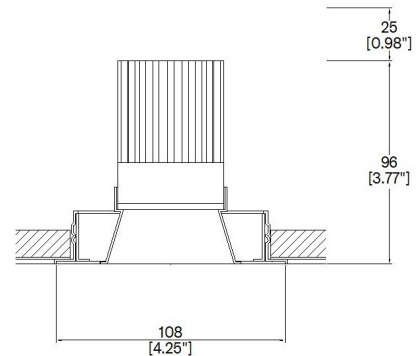
Duo provides high performance electronics and architectural aesthetics in 4.25" trim. Duo products include adjustable, fixed and wall wash in a flanged or trimless installation kit. Tray, retrofit and housing installation methods (NIC, IC, AT, T24 and CCEA) Multiple configurations for equal spacing also available. Lucent modules available in a wide range of color temperatures, beam angles, intensities, and effects (Ambiance WarmDim and Dynamic Tuneable White). MR16 and GU10 LED lamp options available. TRIAC/Phase, 0-10v/1-10v, DMX and DALI/Digital dimming.



A31600-LED + 3000-PBZ
Cut-out 103mm (4.00") Ø



**Installation kit for overlap flange
3000-PBZ**



A31600-LED + 3000-PCZ
Cut-out 98mm (3.85") Ø



**Mud-in kit for seamless/trimless
3000-PCZ**

	LED5IWD	LED5IWD
LED Source	3000K	3000K
CCT	500mA	500mA
Drive Current	17.1W	17.1W
Power inc Driver	28°	39°
Beam Angle	711	749
Delivered Lumens	2087	1359
Delivered Intensity cd	42	44
Efficacy lm/w	29.1V	29.1V
Forward Volt	≥95 CRI	≥95 CRI
CRI		
Test results at full output		

Project Ref: _____

Location Ref: _____

Specify fixture part number (All boxes must be filled in to correctly order)

A31600-LED					LED51WD									
------------	--	--	--	--	---------	--	--	--	--	--	--	--	--	--

Finish
WH White
BK Black

Location
XX Dry
DP Damp
WT Wet

Installation
PB 3000-PBZ Flange kit
PC 3000-PCZ Mud-in kit

Ceiling Thickness
SC Standard Ceiling (1/2"-5/8"-3/4")
C Custom

LED Type
LED51WD LED51WD (95CRI)

CCT
2720 2700K - 2000K
3020 3000K - 2000K

Beam Angles
28 28
39 39

Housing/Tray
LMT-13-NIC Mounting Tray Non-Insulated ceilings
LH-6.75-NIC Housing 6.75" Non-Insulated ceilings
LH-8.50-AT/IC Housing 8.50" Insulated/Air-tight ceilings and Chicago Plenum

Mounting Hardware
09 9" to 15.25" - Adjustable Bar Hanger Lengths
14 14" to 24" - Adjustable Bar Hanger Lengths
36 28" to 36" - Adjustable Bar Hanger Lengths
BB Butterfly Bracket
CB Caterpillar Bracket

Supply Voltage
120 120V
277 277V

Dimming Protocol
S Non-Dimmable
P TRIAC/Phase (120V ONLY) (25-10% Minimum Dimming)***
AWN Athena wireless RF node
LHE EcoSystem Hi-Lume Fade to Black (1% Dimming)
LAE Lutron 3-Wire Hi-Lume (1% Dimming)
LHP Lutron Hi-Lume Premier EcoSystem (0.1% Dimming)
A 0-10V (15-5% Minimum Dimming)***
B Bluetooth**

Emergency
E 1.5h Emergency
ES 1.5h Self test

Louvre/Lens
XX Not required
LL45 Honeycomb
LLCC Warm Tone
LLUV UV
LLDF Solite/Diffusing
LLFR Frosted Lens
LLLS Linear Spread
LLHS Heavy Spread

*Refer to Technical Details for more information

Housing dimensions



LH-6.75
Non-insulated ceilings

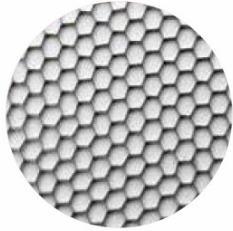


LH-8.50
Insulated/air-tight ceilings and
Chicago Plenum

Tray dimensions



LMT-13
Non-insulated ceilings



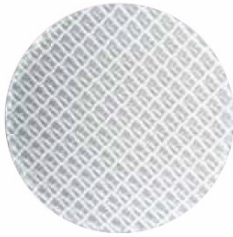
Honeycomb Louvre (LL45)



Solite/Diffusing Lens (LLDF)



Frosted Lens (LLFR)



Heavy Spread Lens (LLHS)



Linear Spread Lens (LLLS)



Warm Tone (LLCC)

.....

Technical Details

*Custom color requires a paint chip or RAL code and may increase price and lead-time

It is the responsibility of the specifier/integrator/installer to check and ensure compatibility of any control equipment used. Additional cabling may be required depending on the dimming protocol specified.

**DALI Type 6 requires two DALI addresses, one for CCT control the other for intensity control. DALI Type 8 is a single DALI Type 8 address for CCT and intensity control. Please check which control system is being used before specifying.

**** Available for integration with Lutron Athena Control systems. Please contact Lucent Lighting Inc./Lutron factory for further details.

^ Depth indicated is the minimum recess depth for the luminaire with a remote mounted LED driver. Installing a driver through either the luminaire cut-out or installation kit may require additional recess depth, please refer to the relevant installation instructions prior to purchase.

First Fix Requirement. Luminaire comprised of fixture body with ceiling trim and installation kit, which is to be fitted into the ceiling once finished. Ensure correct alignment of the installation kit before final assembly (see luminaire installation instructions for details)

Location. Tested from underside of the ceiling.

Data correct at time of publishing. It is the policy of Lucent Lighting to continually review and improve its products and therefore reserve the right to change any details of product or withdraw specifications without prior notice.

This specification sheet supersedes all previous versions.

All intellectual property rights pertaining to the product described above and to this document are owned by or licensed to Lucent Lighting, Incorporated. Lucent Lighting reserves the right to take whatever action is necessary to protect its intellectual property, patents and trademarks

Please notify Lucent Lighting Inc. inaccuracies. E&OE

.....



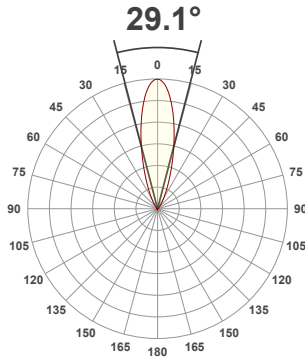
Light efficiency:



Light quality:



Color temperature:



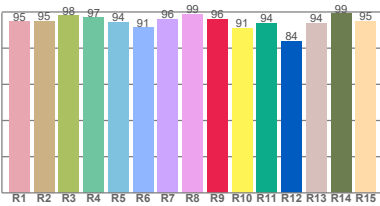
Product name:
31600-LED - LED51WD-3020-28-500mA

Item number:
Duo Fixed - LED51WD-3020-28-500mA

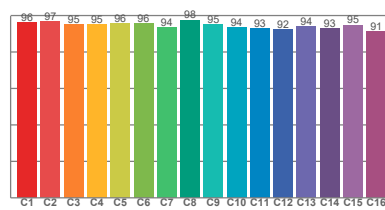
Delivered information for above fixture and LED combination.

Output: 711 Lumen Peak intensity: 2087 cd Power consumption: 17.1

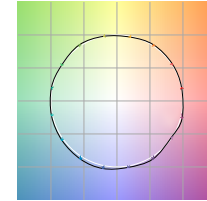
CRI R values



TM30 C Values

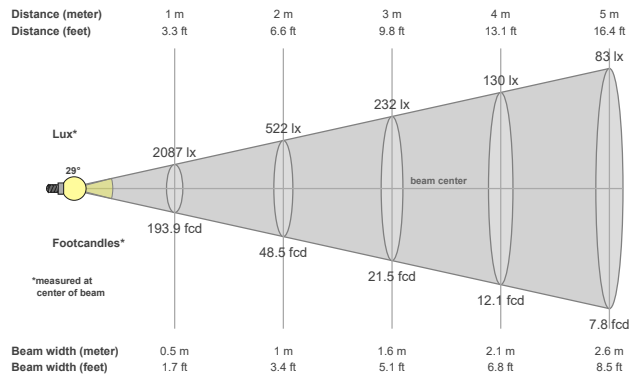


Color vector graphics



Color temperature	Color rendering index	Red component	Color fidelity	Color gamut	Color quality scale	Color coordinate cie 1931	Color coordinate cie 1931	Color coordinate	Color coordinate	Color deviation from black body
CCT	CRI	CRI R9	TM30 Rf	TM30 Rg	CQS	x	y	u	v	Δuv
3000 K	95.6	95.9	94.7	102.8	94.8	0.437	0.404	0.256	0.342	-0.0067

Beam details



Beam angles

Beam angle 50%	Field angle 10%	Cutoff angle 2,5%
29.1°	58.9°	82.5°

Beam intensities

Peak intensity	Int. ratio in 120° cone	Int. ratio in 90° cone
2087 cd	99.8%	97.7%

Beam intensities from 1-20m

1m	2m	3m	4m	5m	6m	7m	8m	9m	10m	11m	12m	13m	14m	15m	16m	17m	18m	19m	20m
3.3ft	6.6ft	9.8ft	13.1ft	16.4ft	19.7ft	23ft	26.2ft	29.5ft	32.8ft	36.1ft	39.4ft	42.7ft	45.9ft	49.2ft	52.5ft	55.8ft	59.1ft	62.3ft	65.6ft
2087lx	522lx	232lx	130lx	83lx	58lx	43lx	33lx	26lx	21lx	17lx	14lx	12lx	11lx	9lx	8lx	7lx	6lx	6lx	5lx
193.9fcd	48.5fcd	21.5fcd	12.1fcd	7.8fcd	5.4fcd	4fcd	3fcd	2.4fcd	1.9fcd	1.6fcd	1.3fcd	1.1fcd	1fcd	0.9fcd	0.8fcd	0.7fcd	0.6fcd	0.5fcd	0.5fcd

The above information is for 3000K colour temperature, for specific module information please see LED spec located on our website

For information regarding other colour temperatures please use the following factors for lumen output and candelas:

2700K = 0.93

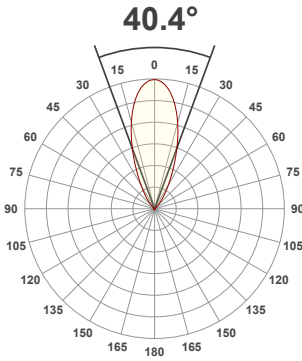
Light efficiency:



Light quality:



Color temperature:



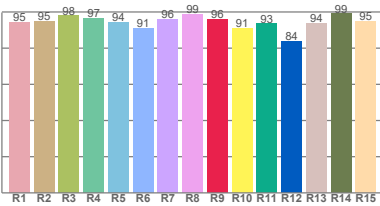
Product name:
31600-LED - LED51WD-3020-39-500mA

Item number:
Duo Fixed - LED51WD-3020-39-500mA

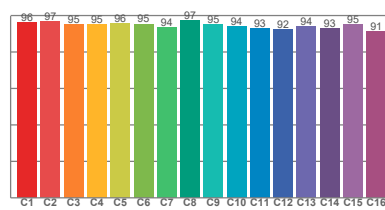
Delivered information for above fixture and LED combination.

Output: 749 Lumen Peak intensity: 1359 cd Power consumption: 17.1

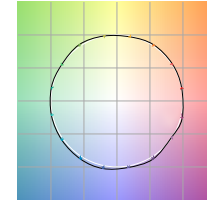
CRI R values



TM30 C Values

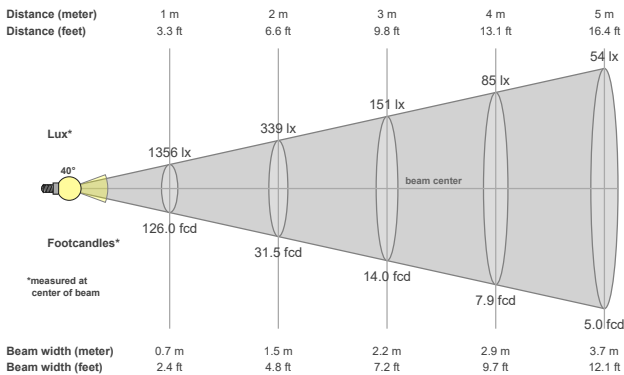


Color vector graphics



Color temperature	Color rendering index	Red component	Color fidelity	Color gamut	Color quality scale	Color coordinate cie 1931	Color coordinate cie 1931	Color coordinate	Color coordinate	Color deviation from black body
CCT	CRI	CRI R9	TM30 Rf	TM30 Rg	CQS	x	y	u	v	Δuv
3000 K	95.5	95.8	94.8	103.1	94.7	0.437	0.404	0.257	0.343	-0.0069

Beam details



Beam angles

Beam angle 50%	Field angle 10%	Cutoff angle 2,5%
40.4°	74.5°	94°

Beam intensities

Peak intensity	Int. ratio in 120° cone	Int. ratio in 90° cone
1359 cd	99.8%	96.8%

Beam intensities from 1-20m

1m	2m	3m	4m	5m	6m	7m	8m	9m	10m	11m	12m	13m	14m	15m	16m	17m	18m	19m	20m
3.3ft	6.6ft	9.8ft	13.1ft	16.4ft	19.7ft	23ft	26.2ft	29.5ft	32.8ft	36.1ft	39.4ft	42.7ft	45.9ft	49.2ft	52.5ft	55.8ft	59.1ft	62.3ft	65.6ft
1356lx	339lx	151lx	85lx	54lx	38lx	28lx	21lx	17lx	14lx	11lx	9lx	8lx	7lx	6lx	5lx	5lx	4lx	4lx	3lx
126fcd	31.5fcd	14fcd	7.9fcd	5fcd	3.5fcd	2.6fcd	2fcd	1.6fcd	1.3fcd	1fcd	0.9fcd	0.7fcd	0.6fcd	0.6fcd	0.5fcd	0.4fcd	0.4fcd	0.3fcd	0.3fcd

The above information is for 3000K colour temperature, for specific module information please see LED spec located on our website

For information regarding other colour temperatures please use the following factors for lumen output and candelas:

2700K = 0.93