

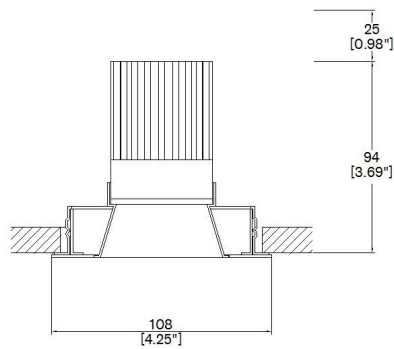
# ProSpex Duo Fixed

TM65.2 11kgCO2e

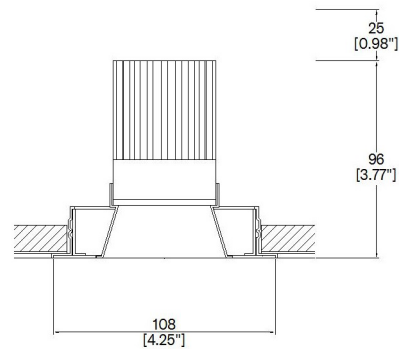
TM66 2.3 CEAM



108mm (4.25") overall diameter. Available with standard trim kit or plaster-in kit for flush appearance. Family of matching products also available. Required depth height + 25mm^



31600-LED + 3000-PBZ  
Cut-out 101mm (3.97") Ø  
Trim kit



31600-LED + 3000-PCZ  
Cut-out 96mm (3.78") Ø  
Seamless flush appearance

|                                 |         |         |
|---------------------------------|---------|---------|
| LED Source                      | LED5ITW | LED5ITW |
| CCT range 5000K-2000K           | @ 3000K | @ 3000K |
| Drive Current (max per channel) | 700mA   | 700mA   |
| Power inc Driver Max            | 15.1W   | 15.1W   |
| Beam Angle                      | 25°     | 35°     |
| Delivered Lumens                | 609     | 677     |
| Delivered Intensisty cd         | 2247    | 1335    |
| Efficacy lm/w                   | 40      | 45      |
| Forward Volt (max per channel)  | 18.4V   | 18.4V   |
| CRI                             | ≥95 CRI | ≥95 CRI |

Apply these factors to 3000K for lumen output of other CCTs: 2000K x 0.67 / 2700K x 0.84 / 3500K x 1.085 / 4000K x 1.113 / 5000K x 1.087

Project Ref: \_\_\_\_\_

Location Ref: \_\_\_\_\_

Fixture Order Code:  -  -

Fixture  
31600-LED Duo Fixed with LED51

Finish  
WH White RAL 9010  
BK Black RAL 9005  
RAL\* Custom RAL Colour\*  
ABR1 Antique Brass  
ABZ1 Antique Bronze  
PCH1 Polished Chrome  
PNK1 Polished Nickel  
PBR1 Polished Brass

IP Rating  
54 IP54

Installation Order Code:

Installation  
3000-PBZ Trim kit for trimmed appearance  
3000-PCZ Plaster-kit for seamless flush appearance



LED Order Code:  -  -

LED  
LED51TW LED50 ONE Tuneable White

CCT  
5020 5000K - 2000K

Beam  
25 25°  
35 35°

Driver Options:

Protocol  
D6 DALI Type 6\*\*  
D8 DALI Type 8\*\*  
B Bluetooth\*\*\*

Emergency Options:

Emergency  
E Maintained 3hr Emergency  
ED Maintained 3hr DALI Self Test  
ES Maintained 3hr Self Test

Finish selection



Antique Brass



Antique Bronze



Polished Brass

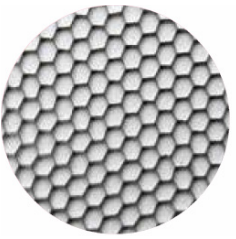


Polished Nickel



Polished Chrome

Accessories



Honeycomb Louvre



Diffusing Lens



Frosted Lens



Heavy Spread Lens



Linear Spread Lens

Accessories Order Code:

Louvre/Lens

- LL45 Honeycomb Louvre
- LLCC Warm Tone Lens
- LLUV UV Lens
- LLDF Diffusing Lens
- LLFR Frosted Lens
- LLLS Linear Spread Lens
- LLHS Heavy Spread Lens

## Technical Details

\*Custom RAL code must be specified. Custom RAL colours can increase prices and lead times

Dimming. Whilst Lucent can offer the majority of its luminaires with various dimming options, it remains the responsibility of the specifier/installer to check and ensure compatibility of any control equipment used. Additional cabling may be required depending on the dimming protocol specified.

\*\*DALI Type 6 requires two DALI addresses, one for CCT control the other for Intesisty control. DALI Type 8 is a single DALI Type 8 address for CCT and Intesisty control. Please check which control system is being used before specifying.

\*\*Bluetooth (wireless) is the communication method. The exact dimming protocol must be confirmed to allow the selection of suitable drivers or bluetooth devices.

^ Depth indicated is the minimum recess depth for the luminaire with a remote mounted LED driver. Installing a driver through either the luminaire cut-out or installation kit may require additional recess depth, please refer to the relevant luminaire installation instructions for further details. Data correct at time of publishing

First Fix Requirement. Luminaire comprised of fixture body with ceiling trim and installation kit, which is to be fitted into the ceiling once finished. Ensure correct alignment of the installation kit before final assembly (see luminaire instllation instructions for details)

IP Rating. Tested from underside of the ceiling

Note that the picture of the finishes provided is for illustrative purposes only. The finishes may vary in colour, texture and appearance. Contact Lucent lighting Ltd for more information.

It is the policy of Lucent Lighting to continually review and improve its products and therefore reserve the right to change any details of product or withdraw specifications without prior notice.

Luminaires designed to comply with EN60598 and all other standards.

This specification sheet superseded all previous versions.

All intellectual property rights pertaining to the product described above and to this document are owned by or licensed to Lucent Lighting Ltd.

We reserve the right to take whatever action is necessary to protect those intellectual property rights.

Please notify Lucent Lighting Ltd of any inaccuracies immediately. E&OE