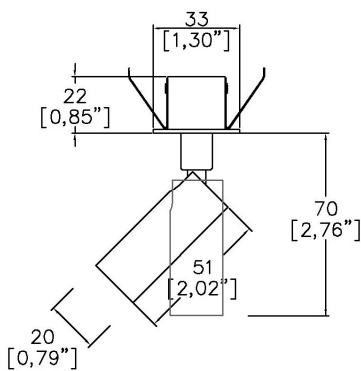


ProSpex TubeLED Nano

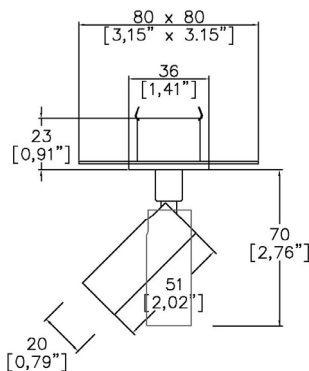
TM65.2	2kgCO2e
TM66	2.2 CEAM



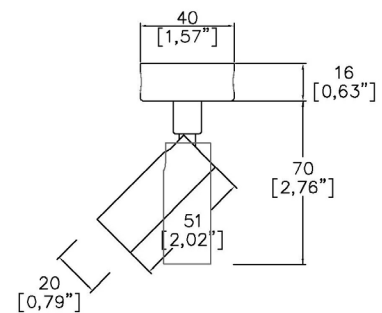
20mm (0.79") overall diameter. Miniature low voltage LED tubular spotlight. Available with monopoint mounting or magnetic track adaptor. Family of matching products also available.



1100-LED-RMP



1100-LED-TMP



1100-LED-SMP

	LED	LED	LED
LED Source	LED	LED	LED
CCT	3000K	3000K	3000K
Drive Current [^]	700mA	700mA	700mA
Power inc Driver	2.6W	2.6W	2.6W
Beam Angle	15°	25°	30°
Delivered Lumens	150	165	146
Delivered Intensisty cd	1368	783	505
Efficacy lm/w	58	65	57
Forward Volt	3V	3V	3V
CRI	≥90 CRI	≥90 CRI	≥90 CRI

Apply these factors to 3000K for lumen output of other CCTs: 2700K x 0.82 / 4000K x 1.11.

Project Ref: _____

Location Ref: _____

Fixture Order Code: **1100-LED** - - - - -

Fixture
1100-LED

TubeLED Nano

CCT

27
30
40***

90 CRI 2700K
90 CRI 3000K
90 CRI 4000K***

Beam

15
25
30

15°
25°
30°

Protocol

S
A
D
B

Non-Dim
Analogue (0-10v)
DALI
Bluetooth**

Finish

WH
BK
RAL*
ABR1
ABZ1
PCH1
PNK1
PBR1

White
Black
Custom RAL Colour*
Antique Brass
Antique Bronze
Polished Chrome
Polished Nickel
Polished Brass

Fixing

RMP
TMP
SMP

Recessed Monopoint
Trimless Monopoint
Surface Monopoint

Please refer to installation instruction for wiring diagram

***contact Lucent for availability

Finish selection



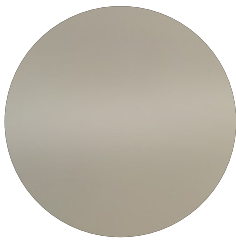
Antique Brass



Antique Bronze



Polished Brass



Polished Nickel



Polished Chrome

Technical Details

*Custom RAL code must be specified. Custom RAL colours can increase prices and lead times

Dimming. Whilst Lucent can offer the majority of its luminaires with various dimming options, it remains the responsibility of the specifier/installer to check and ensure compatibility of any control equipment used. Additional cabling may be required depending on the dimming protocol specified.

**Bluetooth (wireless) is the communication method. The exact dimming protocol must be confirmed to allow the selection of suitable drivers or bluetooth devices.

^ Depth indicated is the minimum recess depth for the luminaire with a remote mounted LED driver. Installing a driver through either the luminaire cut-out or installation kit may require additional recess depth, please refer to the relevant luminaire installation instructions for further details. Data correct at time of publishing

First Fix Requirement. Luminaire comprised of fixture body with ceiling trim and installation kit, which is to be fitted into the ceiling once finished. Ensure correct alignment of the installation kit before final assembly (see luminaire installation instructions for details)

IP Rating. Tested from underside of the ceiling

Note that the picture of the finishes provided is for illustrative purposes only. The finishes may vary in colour, texture and appearance. Contact Lucent lighting Ltd for more information.

It is the policy of Lucent Lighting to continually review and improve its products and therefore reserve the right to change any details of product or withdraw specifications without prior notice.

Luminaires designed to comply with EN60598 and all other standards.

This specification sheet supersedes all previous versions.

All intellectual property rights pertaining to the product described above and to this document are owned by or licensed to Lucent Lighting Ltd.

We reserve the right to take whatever action is necessary to protect those intellectual property rights.

Please notify Lucent Lighting Ltd of any inaccuracies immediately. E&OE