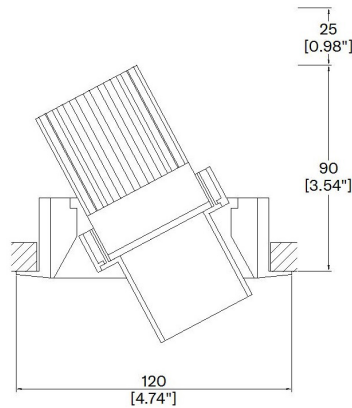


# Axis3.5 Long Snoot



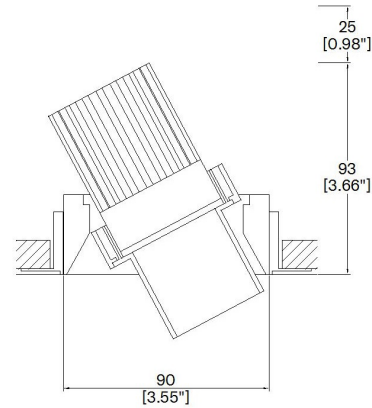
Axis provides high performance electronics and architectural aesthetics in 3.5" and 5" trim with a n option of tapered or straight snoots. Axis products come as standard adjustable in a flanged or trimless installation kit. Tray, retrofit and housing installation methods (NIC, IC, AT, T24 and CCEA) Multiple configurations for equal spacing also available. Lucent modules available in a wide range of color temperatures, beam angles, intensities, and effects (Ambiance Warm-Dim and Dynamic Tuneable White). MR16 and GU10 LED lamp options available. TRIAC/Phase, 0-10v/1-10v, DMX and DALI/Digital dimming.



A200/2-LS-LED-TR  
Up to 35° tilt  
Cut-out 108mm (4.25") Ø



Installation kit for overlap flange



A200/2-LS-LED-TL  
Up to 35° tilt  
Cut-out 106mm (4.17") Ø



Mud-in kit for seamless/trimless

LED Source	LED51WD	LED51WD
CCT	3000K	3000K
Drive Current	500mA	500mA
Power inc Driver	17.1W	17.1W
Beam Angle	28°	39°
Delivered Lumens	481	544
Delivered Intensisty cd	2006	1317
Efficacy lm/w	28	32
Forward Volt	29.1V	29.1V
CRI	≥95 CRI	≥95 CRI

Test results at full output

Project Ref: \_\_\_\_\_

Location Ref: \_\_\_\_\_

Specify fixture part number (All boxes must be filled in to correctly order)

<b>A200/2-LS-LED</b>				<b>LED5IWD</b>									
----------------------	--	--	--	----------------	--	--	--	--	--	--	--	--	--

**Installation**

- TR** Flange kit
- TL** Mud-in kit

**Finish**

- WH** White
- BK** Black
- RAL** Custom\*

**Ceiling Thickness**

- SC** Standard Ceiling (1/2"-5/8"-3/4")
- C** Custom

**LED Type**

- LED5IWD** LED5IWD (95CRI)

**CCT**

- 2720** 2700K - 2000K
- 3020** 3000K - 2000K

**Beam Angles**

- 28** 28
- 39** 39

**Housing/Tray**

- LMT-13-NIC** Mounting Tray Non-Insulated ceilings
- LH-6.75-NIC** Housing 6.75" Non-Insulated ceilings
- LH-8.50-AT/IC** Housing 8.50" Insulated/Air-tight ceilings and Chicago Plenum

**Mounting Hardware**

- 09** 9" to 15.25" - Adjustable Bar Hanger Lengths
- 14** 14" to 24" - Adjustable Bar Hanger Lengths
- 36** 28" to 36" - Adjustable Bar Hanger Lengths
- BB** Butterfly Bracket
- CB** Caterpillar Bracket

**Supply Voltage**

- 120** 120V
- 277** 277V

**Dimming Protocol**

- S** Non-Dimmable
- P** TRIAC/Phase (120V ONLY) (25-10% Minimum Dimming)\*\*\*
- AWN** Athena wireless RF node \*\*\*\*
- LHE** EcoSystem Hi-Lume Fade to Black (1% Dimming)
- LAE** Lutron 3-Wire Hi-Lume (1% Dimming)
- LHP** Lutron Hi-Lume Premier EcoSystem (0.1% Dimming)
- A** 0-10V (15-5% Minimum Dimming)\*\*\*
- B** Bluetooth\*\*

**Emergency**

- E** 1.5h Emergency
- ES** 1.5h Self test

**Louvre/Lens**

- XX** Not required
- LL45** Honeycomb
- LLCC** Warm Tone
- LLUV** UV
- LLDF** Solite/Diffusing
- LLFR** Frosted Lens
- LLLS** Linear Spread
- LLHS** Heavy Spread

\*Refer to Technical Details for more information

## Housing dimensions



LH-6.75  
Non-insulated ceilings



LH-8.50  
Insulated/air-tight ceilings and  
Chicago Plenum

## Tray dimensions



LMT-13  
Non-insulated ceilings



**Honeycomb Louvre (LL45)**



**Solite/Diffusing Lens (LLDF)**



**Frosted Lens (LLFR)**



**Heavy Spread Lens (LLHS)**



**Linear Spread Lens (LLLS)**



**Warm Tone (LLCC)**

.....  
**Technical Details**

\*Custom color requires a paint chip or RAL code and may increase price and lead-time

It is the responsibility of the specifier/integrator/installer to check and ensure compatibility of any control equipment used. Additional cabling may be required depending on the dimming protocol specified.

\*\*DALI Type 6 requires two DALI addresses, one for CCT control the other for intensity control. DALI Type 8 is a single DALI Type 8 address for CCT and intensity control. Please check which control system is being used before specifying.

\*\*\*\* Available for integration with Lutron Athena Control systems. Please contact Lucent Lighting Inc./Lutron factory for further details.

^ Depth indicated is the minimum recess depth for the luminaire with a remote mounted LED driver. Installing a driver through either the luminaire cut-out or installation kit may require additional recess depth, please refer to the relevant installation instructions prior to purchase.

First Fix Requirement. Luminaire comprised of fixture body with ceiling trim and installation kit, which is to be fitted into the ceiling once finished. Ensure correct alignment of the installation kit before final assembly (see luminaire installation instructions for details)

Location. Tested from underside of the ceiling.

Data correct at time of publishing. It is the policy of Lucent Lighting to continually review and improve its products and therefore reserve the right to change any details of product or withdraw specifications without prior notice.

This specification sheet supersedes all previous versions.

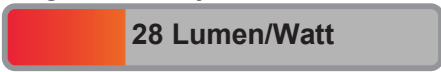
All intellectual property rights pertaining to the product described above and to this document are owned by or licensed to Lucent Lighting, Incorporated. Lucent Lighting reserves the right to take whatever action is necessary to protect its intellectual property, patents and trademarks

Please notify Lucent Lighting Inc. inaccuracies. E&OE

.....



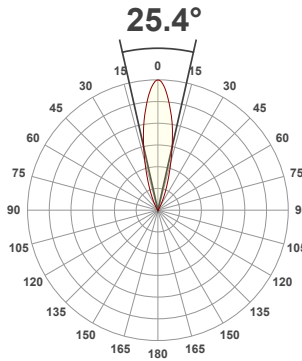
Light efficiency:



Light quality:



Color temperature:



Product name:

**200\_2-LS-LED - LED51WD-3020-28-500mA**

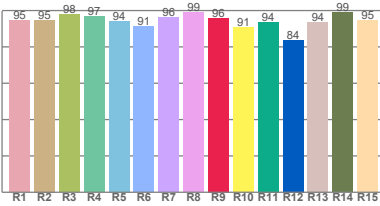
Item number:

**Axis Mini Straight Snoot - LED51WD-3020-28-500mA**

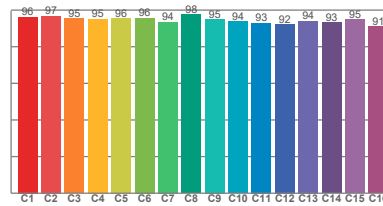
Delivered information for above fixture and LED combination.

Output: 481 Lumen Peak intensity: 2006 cd Power consumption: 17.1

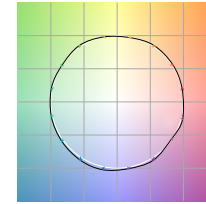
CRI R values



TM30 C Values

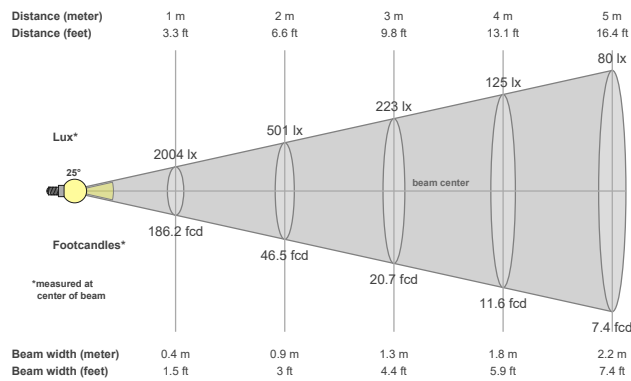


Color vector graphics



Color temperature	Color rendering index	Red component	Color fidelity	Color gamut	Color quality scale	Color coordinate cie 1931	Color coordinate cie 1931	Color coordinate	Color coordinate	Color deviation from black body
CCT	CRI	CRI R9	TM30 Rf	TM30 Rg	CQS	x	y	u	v	Δuv
3000 K	95.5	95.8	94.7	102.9	94.8	0.437	0.404	0.257	0.343	-0.0068

### Beam details



### Beam angles

Beam angle 50%	Field angle 10%	Cutoff angle 2,5%
25.4°	49.2°	63.3°

### Beam intensities

Peak intensity	Int. ratio in 120° cone	Int. ratio in 90° cone
2006 cd	99.6%	98.9%

### Beam intensities from 1-20m

1m	2m	3m	4m	5m	6m	7m	8m	9m	10m	11m	12m	13m	14m	15m	16m	17m	18m	19m	20m
3.3ft	6.6ft	9.8ft	13.1ft	16.4ft	19.7ft	23ft	26.2ft	29.5ft	32.8ft	36.1ft	39.4ft	42.7ft	45.9ft	49.2ft	52.5ft	55.8ft	59.1ft	62.3ft	65.6ft
2004lx	501lx	223lx	125lx	80lx	56lx	41lx	31lx	25lx	20lx	17lx	14lx	12lx	10lx	9lx	8lx	7lx	6lx	6lx	5lx
186.2fcd	46.5fcd	20.7fcd	11.6fcd	7.4fcd	5.2fcd	3.8fcd	2.9fcd	2.3fcd	1.9fcd	1.5fcd	1.3fcd	1.1fcd	0.9fcd	0.8fcd	0.7fcd	0.6fcd	0.6fcd	0.5fcd	0.5fcd

The above information is for 3000K colour temperature, for specific module information please see LED spec located on our website

For information regarding other colour temperatures please use the following factors for lumen output and candelas:

2700K = 0.93

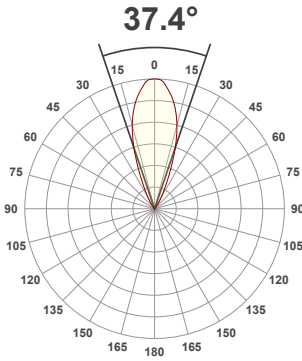
**Light efficiency:**



**Light quality:**



**Color temperature:**



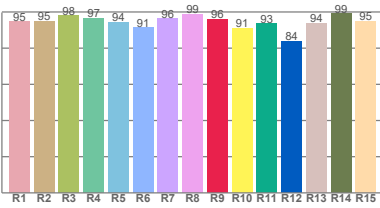
**Product name:**  
200\_2-LS-LED - LED51WD-3020-39-500mA

**Item number:**  
Axis Mini Straight Snoot - LED51WD-3020-39-500mA

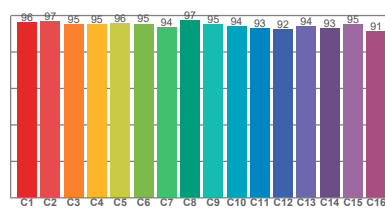
**Delivered information for above fixture and LED combination.**

**Output: 544 Lumen Peak intensity: 1317 cd Power consumption: 17.1**

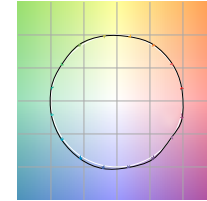
**CRI R values**



**TM30 C Values**

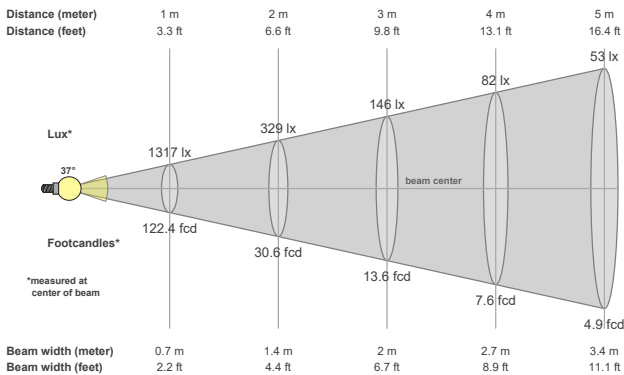


**Color vector graphics**



Color temperature	Color rendering index	Red component	Color fidelity	Color gamut	Color quality scale	Color coordinate cie 1931	Color coordinate cie 1931	Color coordinate	Color coordinate	Color deviation from black body
CCT	CRI	CRI R9	TM30 Rf	TM30 Rg	CQS	x	y	u	v	Δuv
3000 K	95.6	95.9	94.8	103.1	94.7	0.437	0.404	0.257	0.343	-0.0069

**Beam details**



**Beam angles**

Beam angle 50%	Field angle 10%	Cutoff angle 2,5%
37.4°	61.2°	75.4°

**Beam intensities**

Peak intensity	Int. ratio in 120° cone	Int. ratio in 90° cone
1317 cd	99.6%	98.9%

**Beam intensities from 1-20m**

1m	2m	3m	4m	5m	6m	7m	8m	9m	10m	11m	12m	13m	14m	15m	16m	17m	18m	19m	20m
3.3ft	6.6ft	9.8ft	13.1ft	16.4ft	19.7ft	23ft	26.2ft	29.5ft	32.8ft	36.1ft	39.4ft	42.7ft	45.9ft	49.2ft	52.5ft	55.8ft	59.1ft	62.3ft	65.6ft
1317lx	329lx	146lx	82lx	53lx	37lx	27lx	21lx	16lx	13lx	11lx	9lx	8lx	7lx	6lx	5lx	5lx	4lx	4lx	3lx
122.4fcd	30.6fcd	13.6fcd	7.6fcd	4.9fcd	3.4fcd	2.5fcd	1.9fcd	1.5fcd	1.2fcd	1fcd	0.8fcd	0.7fcd	0.6fcd	0.5fcd	0.5fcd	0.4fcd	0.4fcd	0.3fcd	0.3fcd

The above information is for 3000K colour temperature, for specific module information please see LED spec located on our website

For information regarding other colour temperatures please use the following factors for lumen output and candelas:

2700K = 0.93