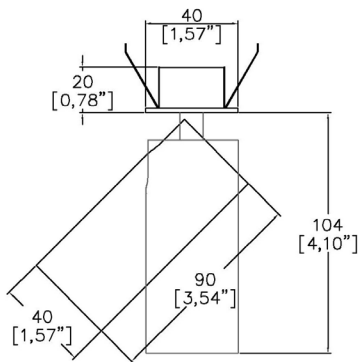


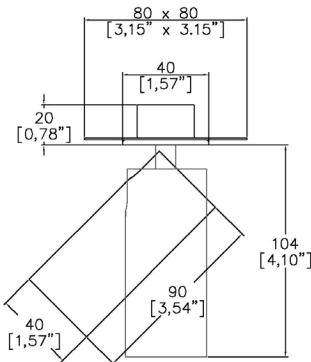
TubeLED Micro Monopoint



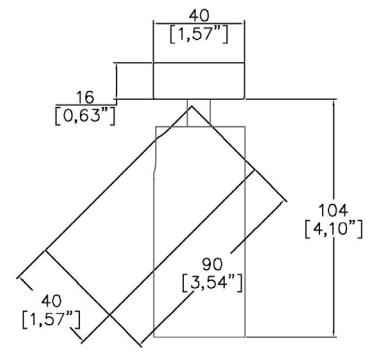
TubeLED consists of the Nano, Micro, Mini and Midi versions giving a wide range of fixing options, light outputs and beam angles. TubeLED Mini available as SuperSpot version with ultra narrow beam option. TubeLED Mini and Midi available as high output versions. Can be installed in Mains Volt and Low Volt track or surface mounted options.



A6100-LED-RMP
Cut-out 1.38" (35mm) Ø



A6100-LED-TMP
Cut-out 1.38" (35mm) Ø



A6100-LED-SMP
Cut-out 0.47" (12mm) Ø

LED Source	LED	LED	LED
CCT	3000K	3000K	3000K
Drive Current	350mA	350mA	350mA
Power inc Driver	7.4W	7.4W	7.4W
Beam Angle	15°	24°	36°
Delivered Lumens	511	478	439
Delivered Intensity cd	3478	2348	1344
Efficacy lm/w	69	64	59
Forward Volt	18V	18V	18V
CRI	≥90 CRI	≥90 CRI	≥90 CRI

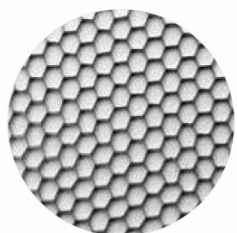
Project Ref: _____

Location Ref: _____

Specify fixture part number (All boxes must be filled in to correctly order)

A6100-LED							
------------------	--	--	--	--	--	--	--

CCT	_____
27	2700K
30	3000K
Beam Angles	_____
15	15
24	24
36	36
Dimming Protocol	_____
S	Non-Dim
A	Analogue (0-10V)
D	DALI
Color Insert	_____
SN	Satin Nickel
SG	Satin Gold
CP	Copper
BZ	Bonze
(Blank)	Not required standard black to be supplied
Finish	_____
WH	White
BK	Black
RAL	Custom RAL Finish*
Fixing	_____
RMP	Recessed Monopoint
TMP	Trimless Monopoint
SMP	Surface Monopoint
Louvre/Lens	_____
XX	Not required
LS45-33mm	Honeycomb
LSCC-33mm	Warm Tone
LSUV-33mm	UV
LSDF-33mm	Solite/Diffusing
LSFR-33mm	Frosted Lens
LSLS-33mm	Linear Spread
LSHS-33mm	Heavy Spread



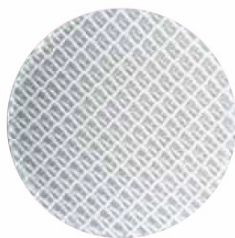
Honeycomb Louvre (LS45-33mm)



Solite/Diffusing Lens (LSDF-33mm)



Frosted Lens (LSFR-33mm)



Heavy Spread Lens (LSHS-33mm)



Linear Spread Lens (LSLS-33mm)



Warm Tone (LSCC-33mm)

Technical Details

*Custom color requires a paint chip or RAL code and may increase price and lead-time

It is the responsibility of the specifier/integrator/installer to check and ensure compatibility of any control equipment used. Additional cabling may be required depending on the dimming protocol specified.

**Bluetooth (wireless) is a communication protocol. The exact dimming protocol must be confirmed to allow the selection of suitable drivers or Bluetooth devices.

***Non specific driver type, dimming performance depending on exact driver used. Contact Lucent Lighting for more information.

^ Depth indicated is the minimum recess depth for the luminaire with a remote mounted LED driver. Installing a driver through either the luminaire cut-out or installation kit may require additional recess depth, please refer to the relevant installation instructions prior to purchase.

First Fix Requirement. Luminaire comprised of fixture body with ceiling trim and installation kit, which is to be fitted into the ceiling once finished. Ensure correct alignment of the installation kit before final assembly (see luminaire installation instructions for details)

Location. Tested from underside of the ceiling.

Data correct at time of publishing. It is the policy of Lucent Lighting to continually review and improve its products and therefore reserve the right to change any details of product or withdraw specifications without prior notice.

This specification sheet supersedes all previous versions.

All intellectual property rights pertaining to the product described above and to this document are owned by or licensed to Lucent Lighting, Incorporated. Lucent Lighting reserves the right to take whatever action is necessary to protect its intellectual property, patents and trademarks

Please notify Lucent Lighting Inc. inaccuracies. E&OE



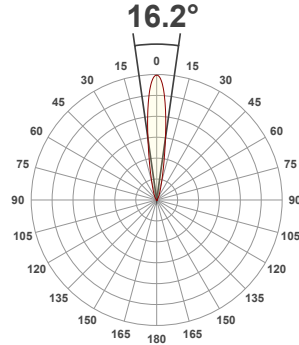
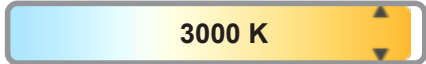
Light efficiency:



Light quality:



Color temperature:



Product name:

TubeLED Micro, 3000K, 15°, 350mA

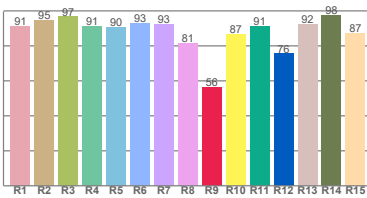
Item number:

6100-LED-930-15-350mA

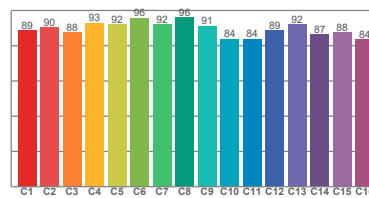
Delivered information for above fixture and LED combination.

Output: 511 Lumen Peak intensity: 3478 cd Power consumption: 7.4

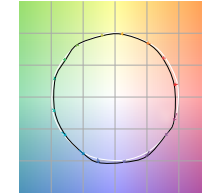
CRI R values



TM30 C Values

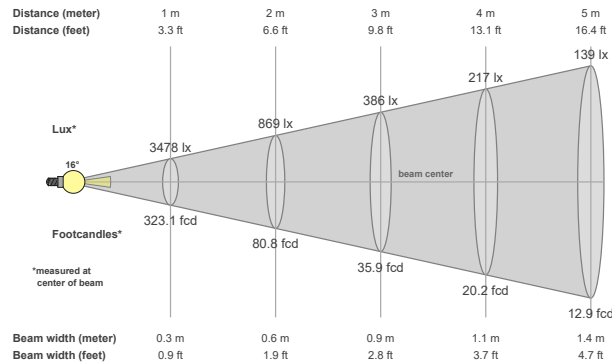


Color vector graphics



Color temperature	Color rendering index	Red component	Color fidelity	Color gamut	Color quality scale	Color coordinate cie 1931	Color coordinate cie 1931	Color coordinate	Color coordinate	Color deviation from black body
CCT	CRI	CRI R9	TM30 Rf	TM30 Rg	CQS	x	y	u	v	Δuv
3000 K	91.4	56.2	89.5	98.6	89.9	0.437	0.404	0.247	0.347	0.0007

Beam details



Beam angles

Beam angle 50%	Field angle 10%	Cutoff angle 2,5%
16.2°	36.5°	64.4°

Beam intensities

Peak intensity	Int. ratio in 120° cone	Int. ratio in 90° cone
3478 cd	97.1%	96.0%

Beam intensities from 1-20m

1m	2m	3m	4m	5m	6m	7m	8m	9m	10m	11m	12m	13m	14m	15m	16m	17m	18m	19m	20m
3.3ft	6.6ft	9.8ft	13.1ft	16.4ft	19.7ft	23ft	26.2ft	29.5ft	32.8ft	36.1ft	39.4ft	42.7ft	45.9ft	49.2ft	52.5ft	55.8ft	59.1ft	62.3ft	65.6ft
3478lx	869lx	386lx	217lx	139lx	97lx	71lx	54lx	43lx	35lx	29lx	24lx	21lx	18lx	15lx	14lx	12lx	11lx	10lx	9lx
323.1fcd	80.8fcd	35.9fcd	20.2fcd	12.9fcd	9fcd	6.6fcd	5fcd	4fcd	3.2fcd	2.7fcd	2.2fcd	1.9fcd	1.6fcd	1.4fcd	1.3fcd	1.1fcd	1fcd	0.9fcd	0.8fcd

The above information is for 3000K colour temperature, for specific module information please see LED spec located on our website

For information regarding other colour temperatures please use the following factors for lumen output and candelas:

2700K = 0.941
4000K = 1.065

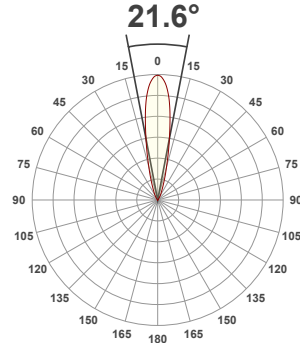
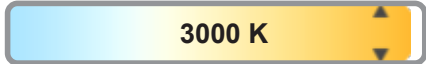
Light efficiency:



Light quality:



Color temperature:



Product name:

TubeLED Micro, 3000K, 24°, 350mA

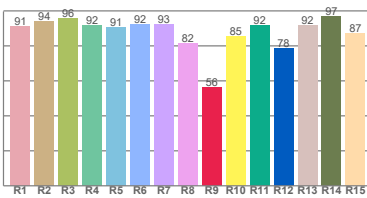
Item number:

6100-LED-930-24-350mA

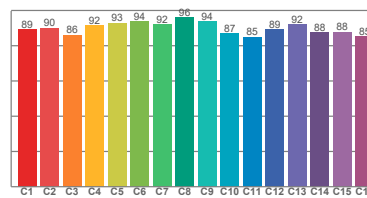
Delivered information for above fixture and LED combination.

Output: 478 Lumen Peak intensity: 2348 cd Power consumption: 7.4

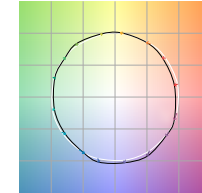
CRI R values



TM30 C Values

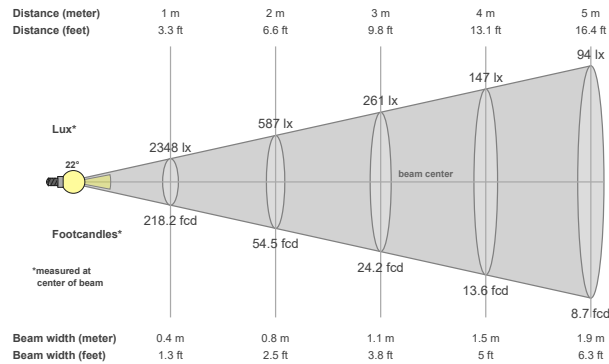


Color vector graphics



Color temperature	Color rendering index	Red component	Color fidelity	Color gamut	Color quality scale	Color coordinate cie 1931	Color coordinate cie 1931	Color coordinate	Color coordinate	Color deviation from black body
CCT	CRI	CRI R9	TM30 Rf	TM30 Rg	CQS	x	y	u	v	Δuv
3000 K	91.3	56.2	90.0	99.9	89.7	0.437	0.404	0.248	0.347	0.0002

Beam details



Beam angles

Beam angle 50%	Field angle 10%	Cutoff angle 2,5%
21.6°	44.2°	66.9°

Beam intensities

Peak intensity	Int. ratio in 120° cone	Int. ratio in 90° cone
2348 cd	99.4%	98.7%

Beam intensities from 1-20m

1m	2m	3m	4m	5m	6m	7m	8m	9m	10m	11m	12m	13m	14m	15m	16m	17m	18m	19m	20m
3.3ft	6.6ft	9.8ft	13.1ft	16.4ft	19.7ft	23ft	26.2ft	29.5ft	32.8ft	36.1ft	39.4ft	42.7ft	45.9ft	49.2ft	52.5ft	55.8ft	59.1ft	62.3ft	65.6ft
2348lx	587lx	261lx	147lx	94lx	65lx	48lx	37lx	29lx	23lx	19lx	16lx	14lx	12lx	10lx	9lx	8lx	7lx	7lx	6lx
218.2fcd	54.5fcd	24.2fcd	13.6fcd	8.7fcd	6.1fcd	4.5fcd	3.4fcd	2.7fcd	2.2fcd	1.8fcd	1.5fcd	1.3fcd	1.1fcd	1fcd	0.9fcd	0.8fcd	0.7fcd	0.6fcd	0.5fcd

The above information is for 3000K colour temperature, for specific module information please see LED spec located on our website

For information regarding other colour temperatures please use the following factors for lumen output and candelas:

2700K = 0.941
 4000K = 1.065

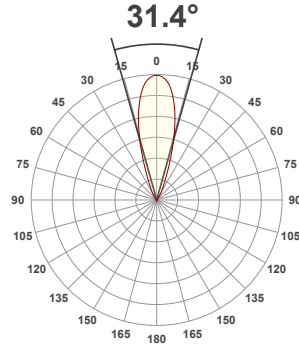
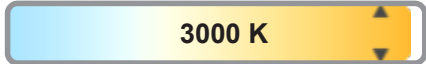
Light efficiency:



Light quality:



Color temperature:



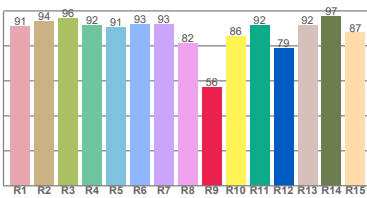
Product name:
TubeLED Micro, 3000K, 36°, 350mA

Item number:
6100-LED-930-36-350mA

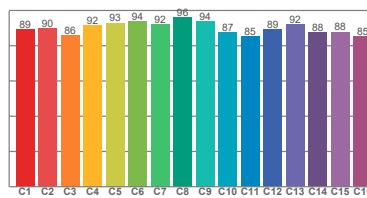
Delivered information for
above fixture and LED
combination.

Output: 439 Lumen Peak intensity: 1344 cd Power consumption: 7.4

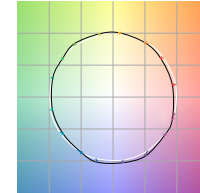
CRI R values



TM30 C Values

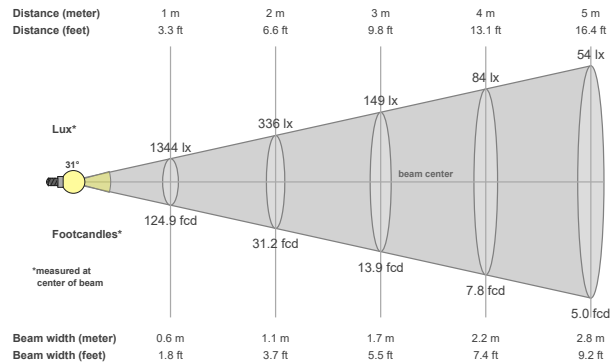


Color vector graphics



Color temperature	Color rendering index	Red component	Color fidelity	Color gamut	Color quality scale	Color coordinate cie 1931	Color coordinate cie 1931	Color coordinate	Color coordinate	Color deviation from black body
CCT	CRI	CRI R9	TM30 Rf	TM30 Rg	CQS	x	y	u	v	Δuv
3000 K	91.3	56.3	90.0	99.9	89.7	0.437	0.404	0.248	0.347	0.0001

Beam details



Beam angles

Beam angle 50%	Field angle 10%	Cutoff angle 2,5%
31.4°	54.6°	72.8°

Beam intensities

Peak intensity	Int. ratio in 120° cone	Int. ratio in 90° cone
1344 cd	99.4%	98.5%

Beam intensities from 1-20m

1m	2m	3m	4m	5m	6m	7m	8m	9m	10m	11m	12m	13m	14m	15m	16m	17m	18m	19m	20m
3.3ft	6.6ft	9.8ft	13.1ft	16.4ft	19.7ft	23ft	26.2ft	29.5ft	32.8ft	36.1ft	39.4ft	42.7ft	45.9ft	49.2ft	52.5ft	55.8ft	59.1ft	62.3ft	65.6ft
1344lx	336lx	149lx	84lx	54lx	37lx	27lx	21lx	17lx	13lx	11lx	9lx	8lx	7lx	6lx	5lx	5lx	4lx	4lx	3lx
124.9fcd	31.2fcd	13.9fcd	7.8fcd	5fcd	3.5fcd	2.5fcd	2fcd	1.5fcd	1.2fcd	1fcd	0.9fcd	0.7fcd	0.6fcd	0.6fcd	0.5fcd	0.4fcd	0.4fcd	0.3fcd	0.3fcd

The above information is for 3000K colour temperature, for specific module information please see LED spec located on our website

For information regarding other colour temperatures please use the following factors for lumen output and candelas:

2700K = 0.941
4000K = 1.065