



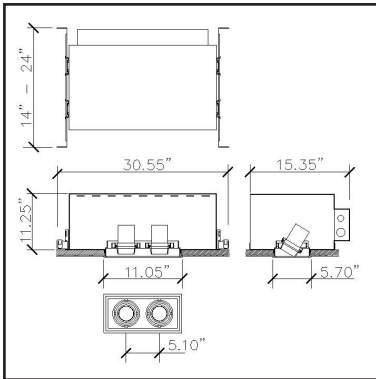
# lucent®

## ProSpex Gimbal Midi Gimbal Midi Twin Fixture

The ProSpex fully adjustable trimmed gimbal fixtures, ideal for high end retail or hospitality applications where flexibility is required. Also available in single and other multiple permutations, up to three modules as standard, that allows uniformity in the ceiling of multiple heads in one recessed housing. Minimal ceiling trim for a clean ceiling line. The range utilises many light sources including Lucent's own LED71 series of modules.

- Butterfly brackets fitted for commercial installation
- Minimal ceiling trim
- Die cast Gimbal Heads
- Integral compartment for electrical hardware
- Electrical compartment accessible through ceiling aperture
- Maximum tilt 35° in certain directions
- Anti glare snoots as standard
- Each head accepts 2 media accessories
- Front loading lenses and louvres
- Black and White combinations as standard

### Flanged

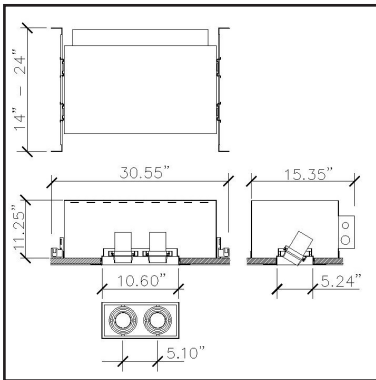


Gimbal Midi Twin Flanged

#### A220-LED-TR

- Ceiling kit with overlap flange

### Flangeless



Gimbal Midi Twin Flangeless

#### A220-LED-PC

- Mud-in kit for seamless flush finish

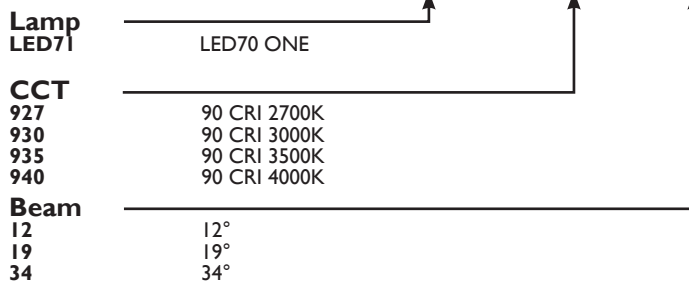


**Information\***

LED Type	Cree COB		
CCT	3000K		
Drive Current	700mA		
Power inc Driver	27W		
Beam Angle	12°	19°	34°
Delivered Lumens	1721	1429	1463
Intensity cd	25940	11071	4290
Efficacy lm/w	64	53	54
Forward Volt	33V		
CRI	≥90		

\*Data correct at time of publishing

**LED Module Order Code:**  -  -



Fixture Order Code: A220 -   -   -   -   -   -  

**Fixture**  
A220 ProSpex Gimbal Midi Twin for LED71

**LED**  
LED70 LED70

**Flange**  
TR Flange  
TL Flangeless

**Gimbal Finish**  
WH White  
BK Black

**Housing Finish**  
WH White  
BK Black

**Flange/Flangeless Finish**  
WH White  
BK Black

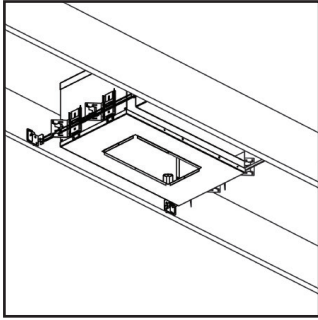
**Ceiling Thickness**  
12 1/2"  
58 5/8"  
75 3/4"  
C Custom

## Installation Instructions

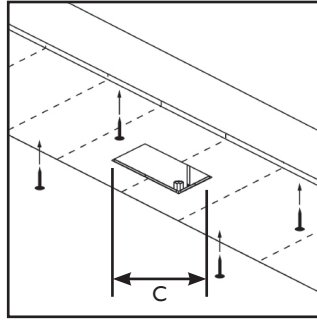
For Insulated and Non-Insulated Ceiling type installations



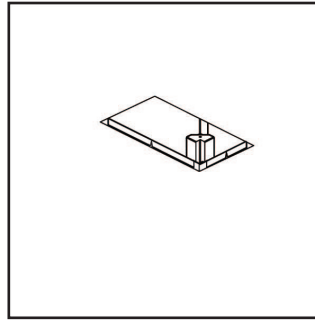
**MAINS POWER TO BE SWITCHED OFF DURING INSTALLATION.**



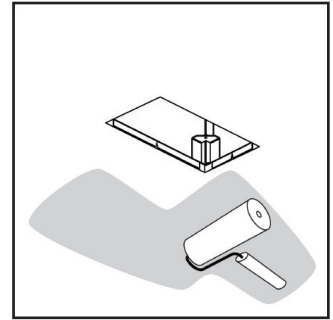
1. Fixing of housing



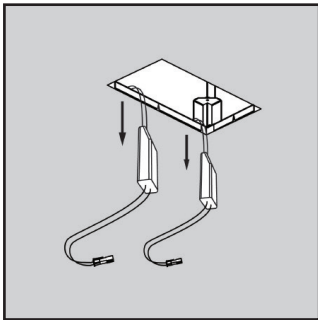
2. Plasterboard installation  
Cutout (C): 10.63" x 5.27" (270 x 134mm)



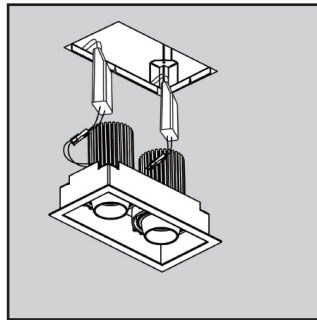
3. Finish ceiling face



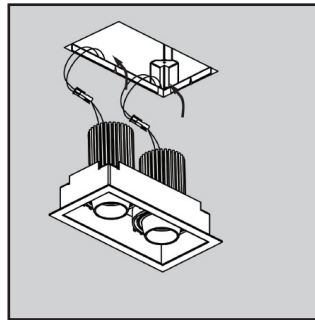
4. Paint and allow to dry fully



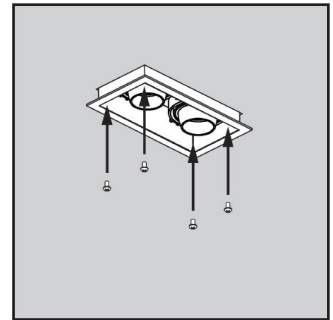
5. Dropdown of power supply



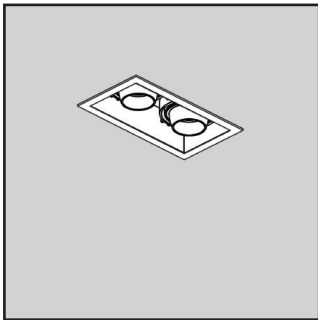
6. Fixture wiring connection



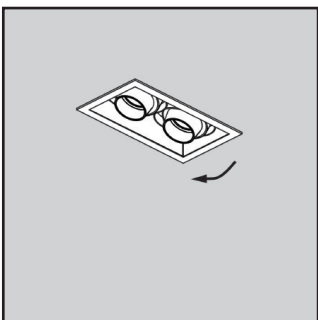
7. Power supply re-installation



8. Align fixture and Install



9. Finished Installation

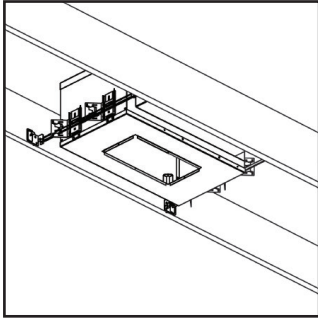


10. Adjust tilt

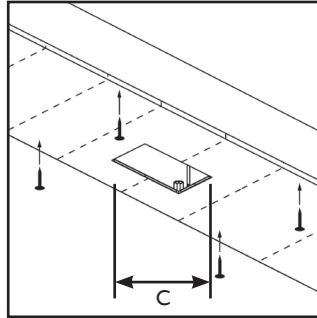
## Installation Instructions

For Insulated and Non-Insulated Ceiling type installations

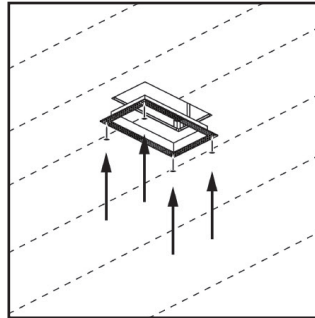
**! MAINS POWER TO BE SWITCHED OFF DURING INSTALLATION.**



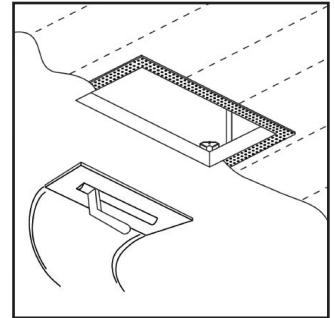
1. Fixing of housing



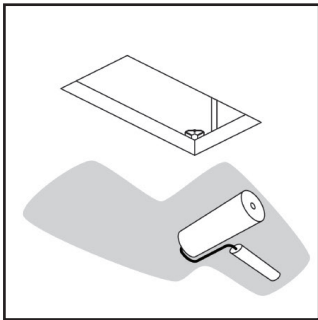
2. Plasterboard installation  
Cutout (C): 10.98" x 5.63" (279 x 143mm)



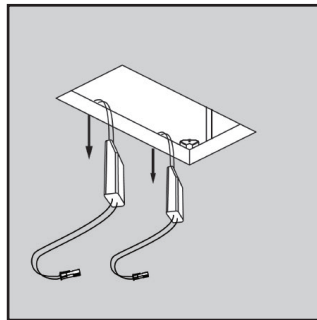
3. Trimless mud in kit installation



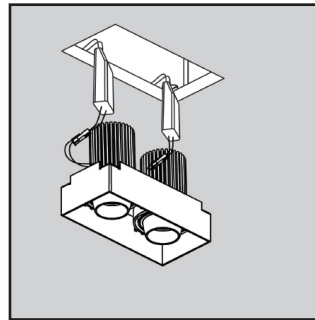
4. Mud in and allow to dry fully



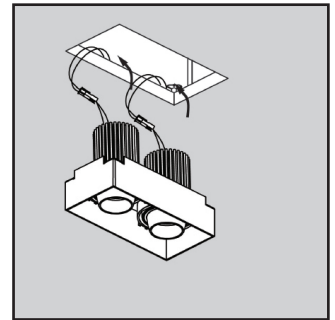
5. Paint and allow to dry fully



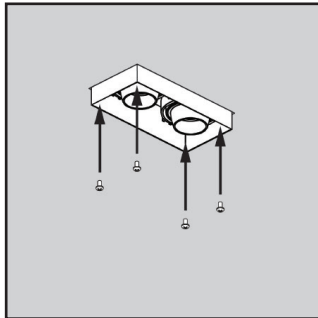
6. Dropdown of power supply



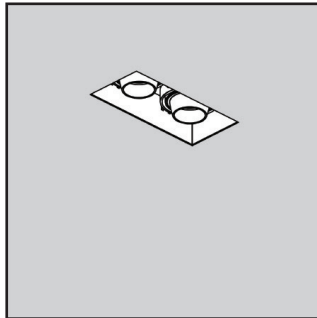
7. Fixture wiring connection



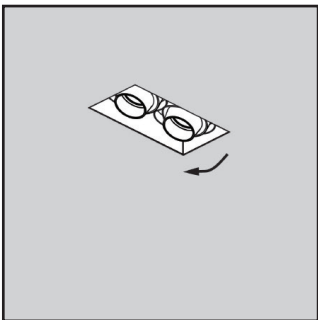
8. Power supply re-installation



9. Align fixture with trimless kit and Install



10. Finished Installation



11. Adjust tilt