



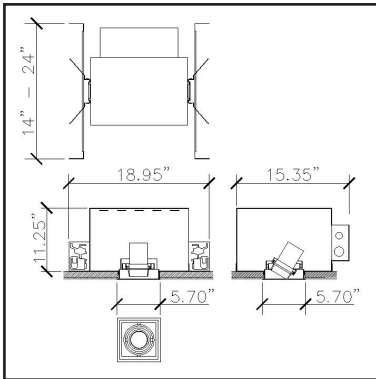
lucent®

ProSpex Gimbal Midi Gimbal Midi Single Fixture

The ProSpex fully adjustable trimmed gimbal fixtures, ideal for high end retail or hospitality applications where flexibility is required. Also available in single and other multiple permutations, up to three modules as standard, that allows uniformity in the ceiling of multiple heads in one recessed housing. Minimal ceiling trim for a clean ceiling line. The range utilises many light sources including Lucent's own LED71 series of modules.

- Butterfly brackets fitted for commercial installation
- Minimal ceiling trim
- Die cast Gimbal Heads
- Integral compartment for electrical hardware
- Electrical compartment accessible through ceiling aperture
- Maximum tilt 35° in certain directions
- Anti glare snoots as standard
- Each head accepts 2 media accessories
- Front loading lenses and louvres
- Black and White combinations as standard

Flanged

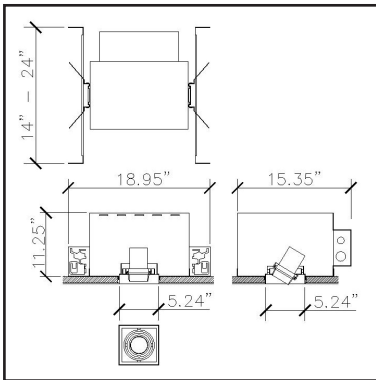


Gimbal Midi Single Flanged

A120-LED-TR

- Ceiling kit with overlap flange

Flangeless



Gimbal Midi Single Flangeless

A120-LED-PC

- Mud-in kit for seamless flush finish

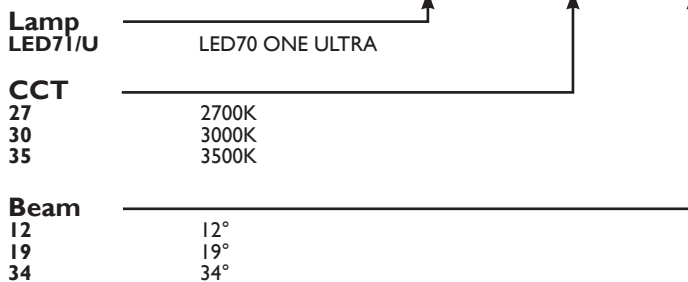


Information*

LED Type	Cree COB		
CCT	3000K		
Drive Current	700mA		
Power inc Driver	27W		
Beam Angle	12°	19°	34°
Delivered Lumens	1395	1099	1285
Intensity cd	21511	8548	3440
Efficacy lm/w	52	41	48
Forward Volt	33V		
CRI	≥98		

*Data correct at time of publishing

LED Module Order Code: - -



Fixture Order Code: A120 - - - - - -

Fixture
A120 ProSpex Gimbal Midi Single for LED70

LED
LED70 LED70 ONE

Flange
TR Flange
TL Flangeless

Gimbal Finish
WH White
BK Black

Housing Finish
WH White
BK Black

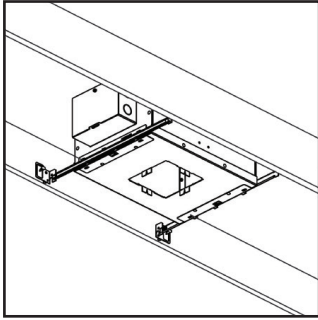
Flange/Flangeless Finish
WH White
BK Black

Ceiling Thickness
12 1/2"
58 5/8"
75 3/4"
C Custom

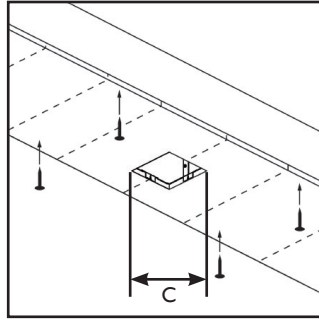
Installation Instructions

For Insulated and Non-Insulated Ceiling type installations

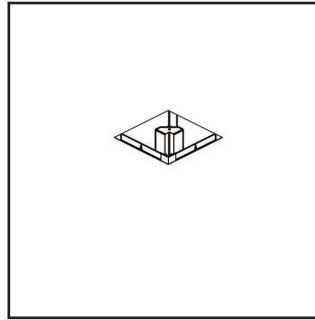
 **MAINS POWER TO BE SWITCHED OFF DURING INSTALLATION.**



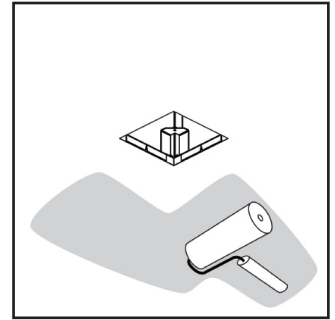
1. Fixing of housing



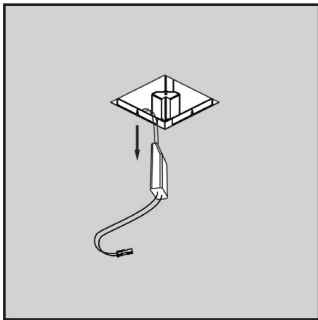
2. Plasterboard installation
Cutout (C): 5.27" x 5.27" (134 x 134mm)



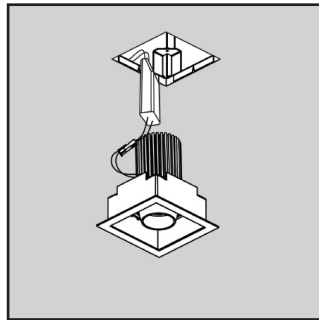
3. Finish ceiling face



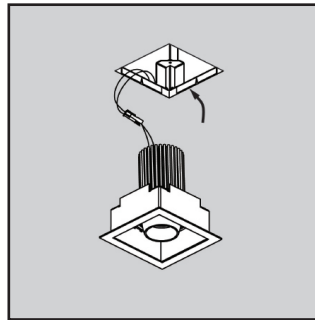
4. Paint and allow to dry fully



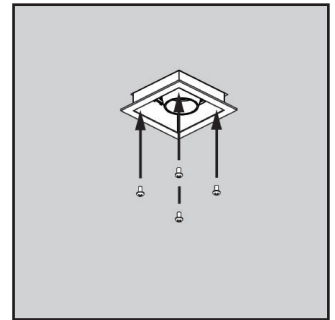
5. Dropdown of power supply



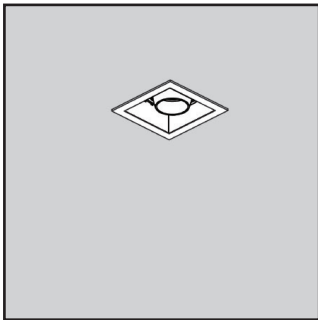
6. Fixture wiring connection



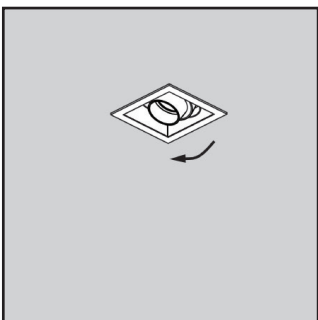
7. Power supply re-installation



8. Align fixture and Install



9. Finished Installation



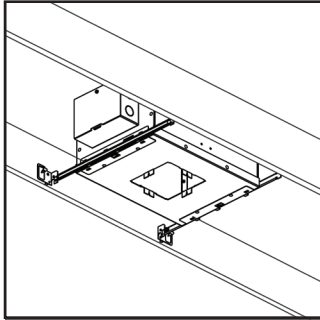
10. Adjust tilt

Installation Instructions

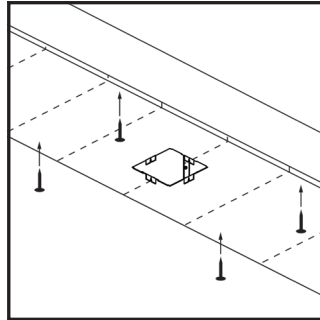
For Insulated and Non-Insulated Ceiling type installations



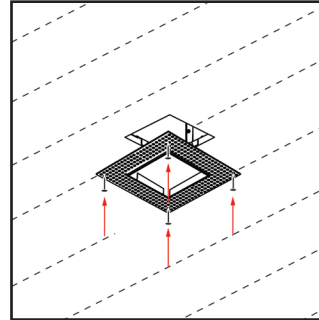
MAINS POWER TO BE SWITCHED OFF DURING INSTALLATION.



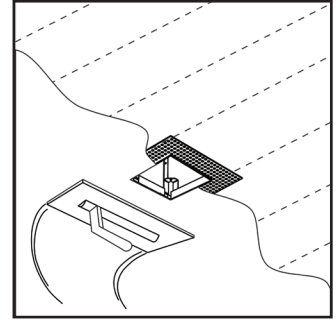
1. Fixing of housing



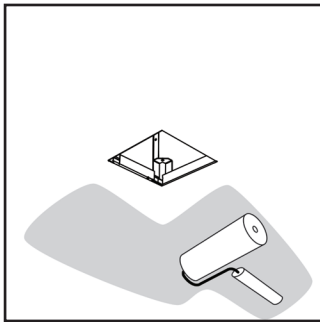
2. Plasterboard installation
Cutout (C): Ø5.63" x 5.63" (143 x 143mm)



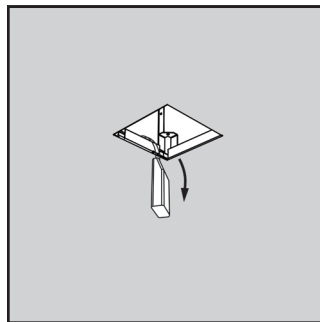
3. Trimless mud in kit installation



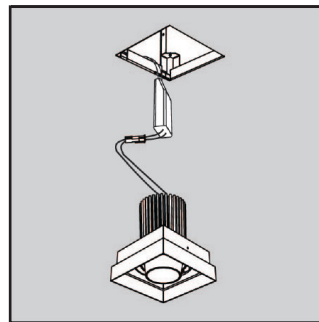
4. Mud in and allow to dry fully



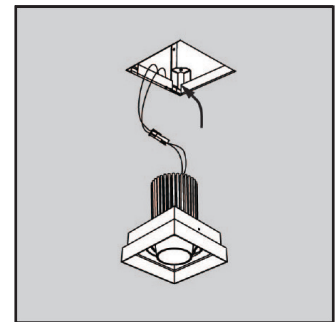
5. Paint and allow to dry fully



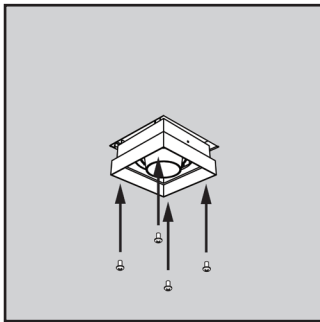
6. Power supply dropdown



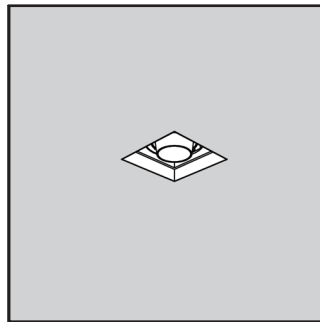
7. Fixture wiring connection



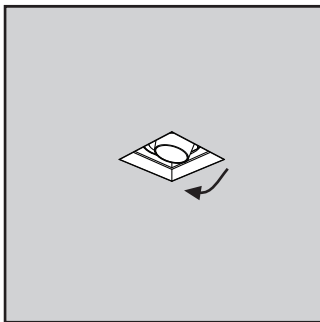
8. Power supply re-installation



9. Align fixture with trimless mud in kit and install



10. Finished installation



1. Adjust Tilt