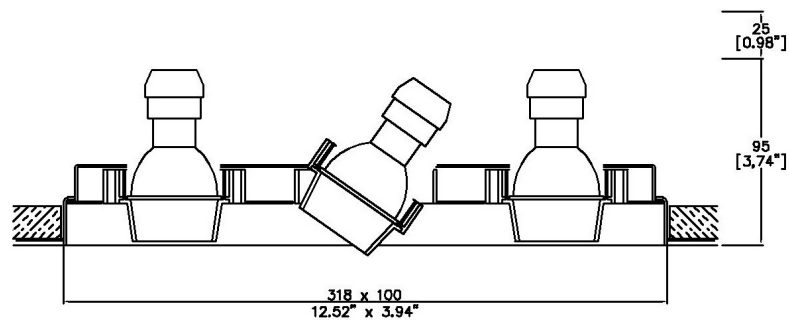


## ProSpex Gimbal Mini Triple



318 x 100mm (12.52" x 3.94") overall trimless dimension.  
Available with standard trim kit or plaster-in kit for flush appearance. Family of matching products also available. Required depth height + 25mm^



316/2-GU-TL  
Cut-out 324 x 108mm

Light Source	GU10 Halogen GU10 LED
Max Power	50W (Halogen)
Lamp Base	GU10
Voltage	220-240v 50/60Hz
Insulation Class	I

Project Ref: \_\_\_\_\_

Location Ref: \_\_\_\_\_

**Fixture Order Code:**



**Fixture**

316/2-GU-TL

Gimbal Mini Triple Trimless with GU10

**Gimbal Finish**

WH

White

BK

Black

RAL

Custom RAL Colour\*

**Coverplate Finish**

WH

White

BK

Black

RAL

Custom RAL Colour\*

**Trimless Kit Finish**

WH

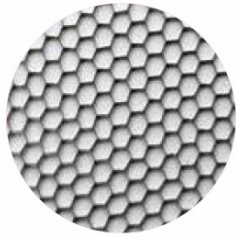
White

BK

Black

RAL

Custom RAL Colour\*



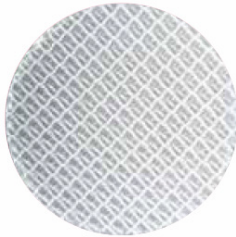
**Honeycomb Louvre**



**Diffusing Lens**



**Frosted Lens**



**Heavy Spread Lens**



**Linear Spread Lens**



**Warm Tone**

Accessories Order Code:

**Louvre/Lens**

- LL45 Honeycomb Louvre
- LLCC Warm Tone Lens
- LLUV UV Lens
- LLDF Diffusing Lens
- LLFR Frosted Lens
- LLLS Linear Spread Lens
- LLHS Heavy Spread Lens

**Technical Details**

\*Custom RAL code must be specified. Custom RAL colours can increase prices and lead times

Dimming. Whilst Lucent can offer the majority of its luminaires with various dimming options, it remains the responsibility of the specifier/installer to check and ensure compatibility of any control equipment used. Additional cabling may be required depending on the dimming protocol specified.

\*\*Bluetooth (wireless) is the communication method. The exact dimming protocol must be confirmed to allow the selection of suitable drivers or bluetooth devices.

^ Depth indicated may vary depending on lamp type used

First Fix Requirement. Luminaire comprised of fixture body with ceiling trim and installation kit, which is to be fitted into the ceiling once finished. Ensure correct alignment of the installation kit before final assembly (see luminaire installation instructions for details)

IP Rating. Tested from underside of the ceiling

It is the policy of Lucent Lighting to continually review and improve its products and therefore reserve the right to change any details of product or withdraw specifications without prior notice.

Luminaires designed to comply with EN60598 and all other standards.

This specification sheet supersedes all previous versions.

All intellectual property rights pertaining to the product described above and to this document are owned by or licensed to Lucent Lighting Ltd.

We reserve the right to take whatever action is necessary to protect those intellectual property rights.

Please notify Lucent Lighting Ltd of any inaccuracies immediately. E&OE