



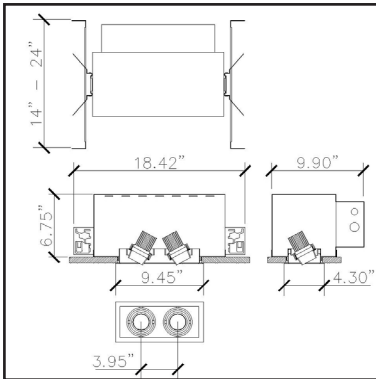
lucent®

ProSpex Gimbal Mini Gimbal Mini Twin Fixture

The ProSpex fully adjustable trimmed gimbal fixtures, ideal for high end retail or hospitality applications where flexibility is required. Also available in single and other multiple permutations, up to three modules as standard, that allows uniformity in the ceiling of multiple heads in one recessed housing. Minimal ceiling trim for a clean ceiling line. The range utilises many MR16 sized light sources including Lucent's own LED50 series of modules.

- Butterfly brackets fitted for commercial installation
- Minimal ceiling trim
- Die cast Gimbal Heads
- Integral compartment for electrical hardware
- Electrical compartment accessible through ceiling aperture
- Maximum tilt 35° in certain directions
- Anti glare snoots as standard
- Each head accepts 2 media accessories
- Front loading lenses and louvres
- Black and White combinations as standard

Flanged

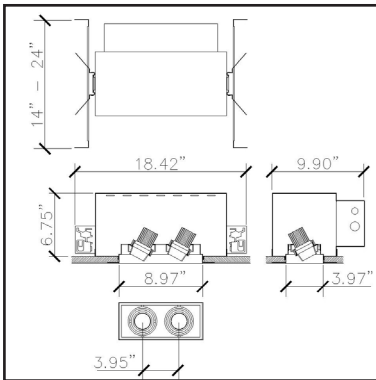


Gimbal Mini Twin Flanged

A216-LED-TR

- Ceiling kit with overlap flange

Flangeless

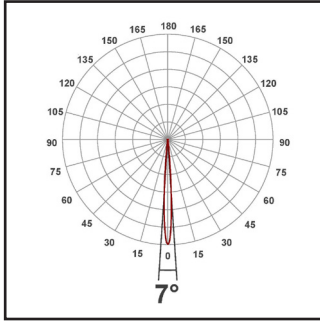


Gimbal Mini Twin Flangeless

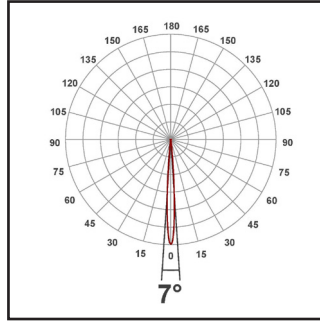
A216-LED-TL

- Mud-in kit for seamless flush finish

Photometric Diagrams



LED51SS-927-7
LED51SS, 2700K, 7°



LED51SS-930-7
LED51SS, 3000K, 7°



LED50 ONE Super Spot

Information*

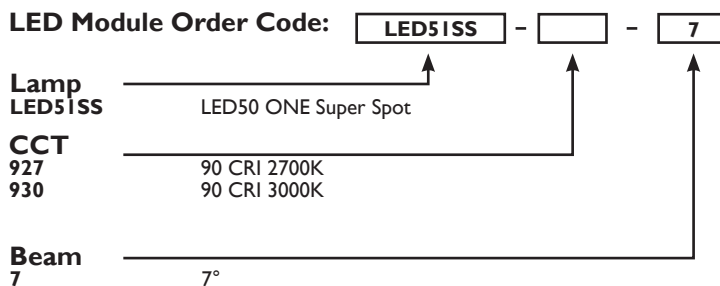
LED Type	XHP	XHP
CCT	3000K	3000K
Drive Current	350mA	500mA
Power inc Driver	4.75W	6.75W
Beam Angle	7°	7°
Source Lumens	372	471
Delivered Lumens	322	412
Intensity cd	12703	16259
Efficacy lm/w	68	61
R9	55	55
TM30	90.6	90.6
Forward Volt	11.5V	11.5V
CRI	≥90 CRI	≥90 CRI

The results in the table is for 3000K color temperature, for specific module information please see LED spec located on our website

For information regarding other color temperatures please use the following factors for lumen output and candelas:

2700K = 0.9
4000K = 1.08

*Data correct at time of publishing
Lumen output is for single gimbal element



Fixture Order Code: A216 - - - - - -

Fixture
A216 ProSpex Gimbal Mini Twin for LED50 Series

LED
LED5ISS LED50 SuperSpot

Flange
TR Flange
TL Flangeless

Gimbal Finish
WH White
BK Black

Housing Finish
WH White
BK Black

Flange/Flangeless Finish
WH White
BK Black

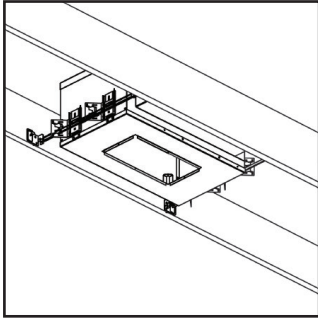
Ceiling Thickness
12 1/2"
58 5/8"
75 3/4"
C Custom

Installation Instructions

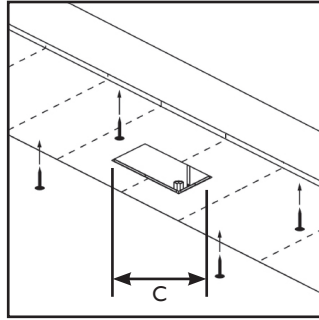
For Insulated and Non-Insulated Ceiling type installations



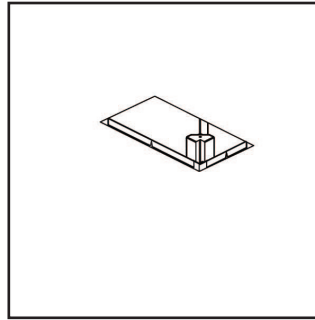
MAINS POWER TO BE SWITCHED OFF DURING INSTALLATION.



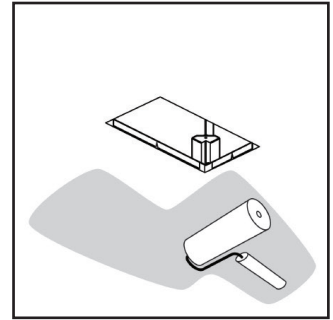
1. Fixing of housing



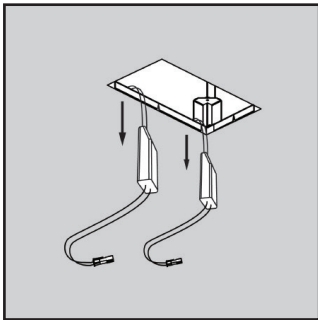
2. Plasterboard installation
Cutout (C): 9.05" x 3.89" (230 x 99mm)



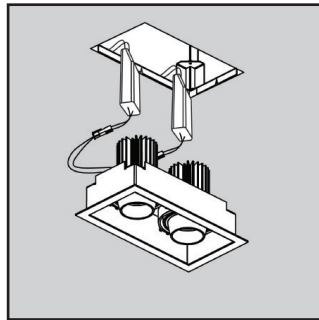
3. Finish ceiling face



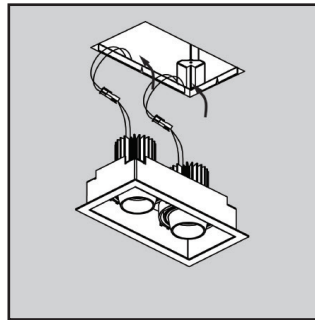
4. Paint and allow to dry fully



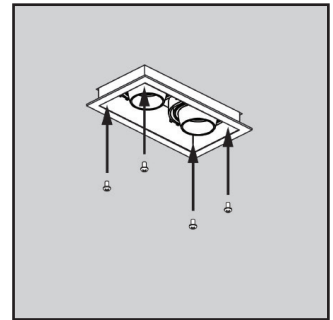
5. Dropdown of power supply



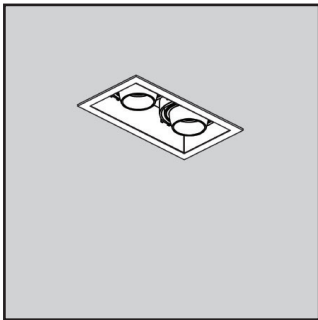
6. Fixture wiring connection



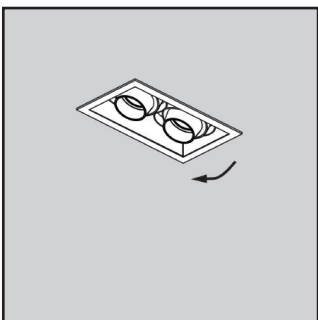
7. Power supply re-installation



8. Align fixture and Install



9. Finished Installation



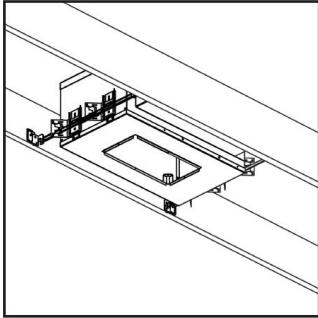
10. Adjust tilt

Installation Instructions

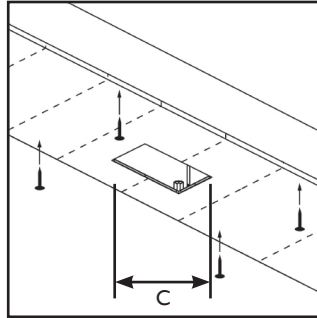
For Insulated and Non-Insulated Ceiling type installations



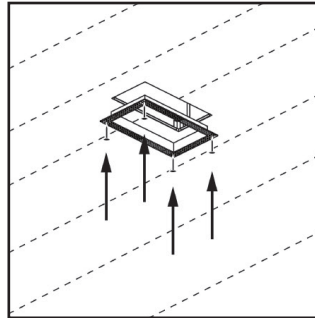
MAINS POWER TO BE SWITCHED OFF DURING INSTALLATION.



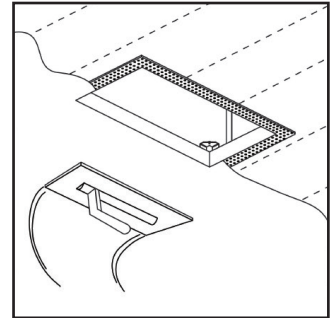
1. Fixing of housing



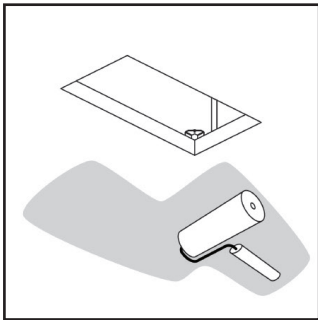
2. Plasterboard installation
Cutout (C): 9.37" x 4.37" (238 x 111mm)



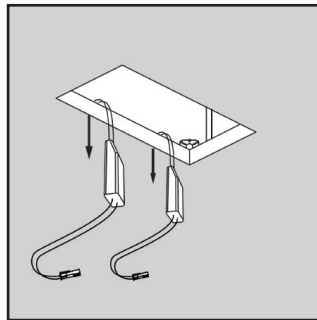
3. Trimless mud in kit installation



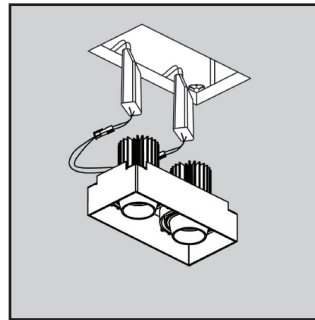
4. Mud in and allow to dry fully



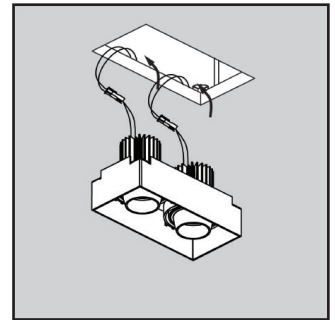
5. Paint and allow to dry fully



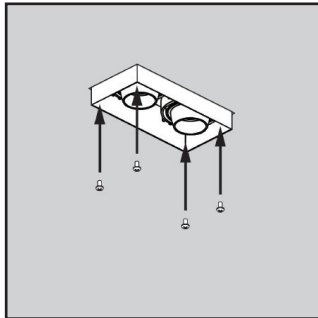
6. Dropdown of power supply



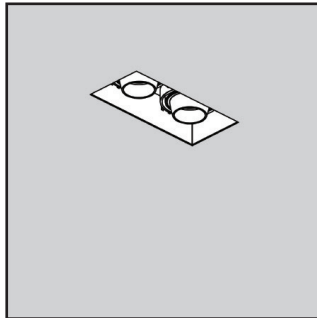
7. Fixture wiring connection



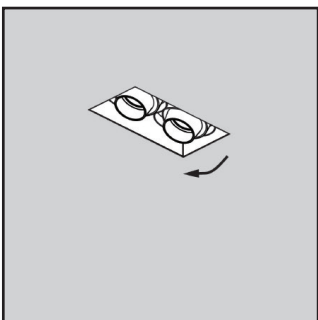
8. Power supply re-installation



9. Align fixture with trimless kit and install



10. Finished Installation



11. Adjust tilt