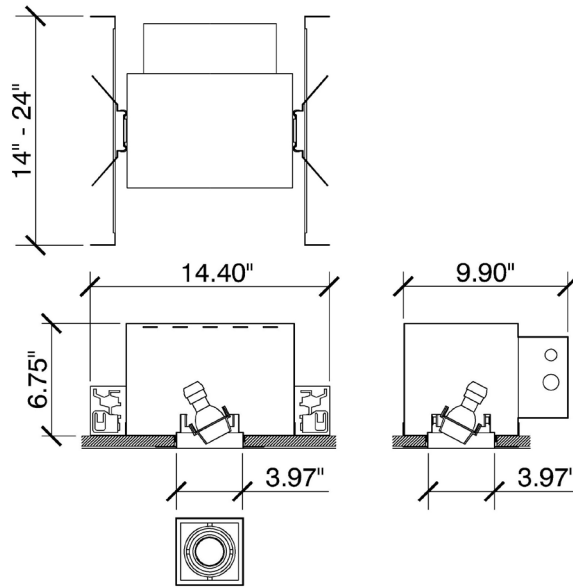


ProSpex Gimbal Mini Single



101 x 101mm (3.97" x 3.97") overall trim dimension.
Available with standard trim kit or plaster-in kit for flush appearance. Family of matching products also available. Required depth height + 25mm^



A116-GU-TL
Cut-out 4.37" x 4.37"
(99x99mm)

Light Source	GU10 Halogen GU10 LED
Max Power	50W (Halogen)
Lamp Base	GU10
Voltage	120v 50/60Hz
Insulation Class	I

Project Ref: _____

Location Ref: _____

Fixture Order Code: - - - - -

Fixture
A116-GU-TL Gimbal Mini Single Trimless with GU10

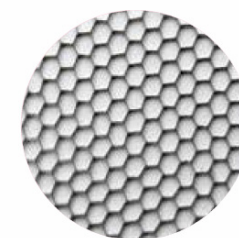
Gimbal Finish
WH White
BK Black
RAL Custom RAL Color*

Housing Finish
WH White
BK Black
RAL Custom RAL Colour*

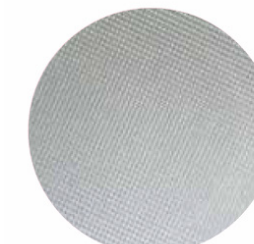
Installation Kit Finish
WH White
BK Black
RAL Custom RAL Colour*

Ceiling Thickness
12 1/2"
58 5/8"
75 3/4"
C Custom

Protocol
S Switched
A 0-10V
P TRIAC/Phase
L Lutron 2-Wire



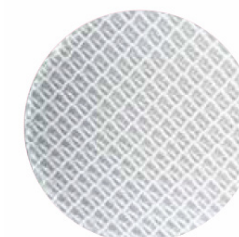
Honeycomb Louvre



Diffusing Lens



Frosted Lens



Heavy Spread Lens



Linear Spread Lens



Warm Tone

Accessories Order Code:

- Louvre/Lens
- LL45 Honeycomb Louvre
- LLCC Warm Tone Lens
- LLUV UV Lens
- LLDF Diffusing Lens
- LLFR Frosted Lens
- LLLS Linear Spread Lens
- LLHS Heavy Spread Lens

Technical Details

*Custom RAL code must be specified. Custom RAL colours can increase prices and lead times

Dimming. Whilst Lucent can offer the majority of its luminaires with various dimming options, it remains the responsibility of the specifier/installer to check and ensure compatibility of any control equipment used. Additional cabling may be required depending on the dimming protocol specified.

**Bluetooth (wireless) is the communication method. The exact dimming protocol must be confirmed to allow the selection of suitable drivers or bluetooth devices.

^ Depth indicated may vary depending on lamp type used

First Fix Requirement. Luminaire comprised of fixture body with ceiling trim and installation kit, which is to be fitted into the ceiling once finished. Ensure correct alignment of the installation kit before final assembly (see luminaire installation instructions for details)

IP Rating. Tested from underside of the ceiling

It is the policy of Lucent Lighting to continually review and improve its products and therefore reserve the right to change any details of product or withdraw specifications without prior notice.

Luminaires designed to comply with EN60598 and all other standards.

This specification sheet superseded all previous versions.

All intellectual property rights pertaining to the product described above and to this document are owned by or licensed to Lucent Lighting Ltd.

We reserve the right to take whatever action is necessary to protect those intellectual property rights.

Please notify Lucent Lighting Ltd of any inaccuracies immediately. E&OE

